

Name: BIGHT-E 3.0 Standard Setup		Date: _____	Event: _____
City: _____ State: _____		Track: _____	
Track Conditions: <input type="checkbox"/> Indoor <input type="checkbox"/> Tight <input type="checkbox"/> Smooth <input type="checkbox"/> Hard Packed <input type="checkbox"/> Blue Groove <input type="checkbox"/> Wet <input type="checkbox"/> Low Bite <input type="checkbox"/> High Bite <input type="checkbox"/> Outdoor <input type="checkbox"/> Open <input type="checkbox"/> Rough <input type="checkbox"/> Loose/Loamy <input type="checkbox"/> Dry <input type="checkbox"/> Dusty <input type="checkbox"/> Med Bite <input type="checkbox"/> Other _____			

Front Suspension

Toe: 1° Toe Out

Ride Height: 27mm

Camber: -2°

Caster: 27°

Wheel Hex: Standard Hex

Sway Bar: 2.7mm

Piston/Oil: 5 Hole 1.4mm/37.5 wt

Spring: Green 4.8 lbs.

Limiters/Droop: 105mm

Overall Shock Length: _____

Steering Ackerman: Long

Bump Steer: Up

Camber Link: 3

Shock Location: 1/Outside

Receiver Battery Type: _____

Differentials

Front: Standard Smart

Spring Wire Dia: _____

Qty of Springs: _____

Ramp Plate: _____

Grease: _____

Diff Fluid: 5000 wt

Center: Standard Smart

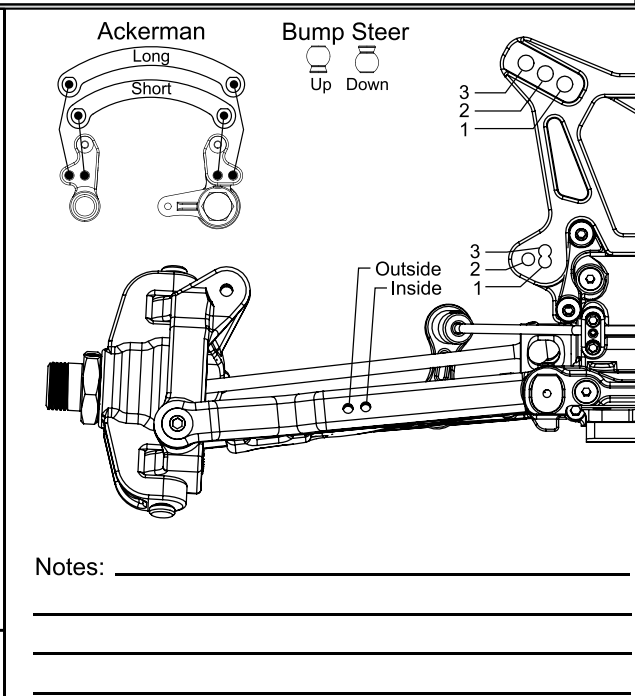
Spring Wire Dia: _____

Qty of Springs: _____

Ramp Plate: _____

Grease: _____

Diff Fluid: 5000 wt



Rear Suspension

Roll Center: HRC LRC

Toe: 3°

Anti-Squat: 3°

Ride Height: 27mm

Camber: -2

Rear Hub Spacing: Back

Wheel Hex: Standard Hex

Sway Bar: 2.5mm

Piston/Oil: 5 Hole 1.5mm/35 wt

Spring: Silver 3.6 lbs

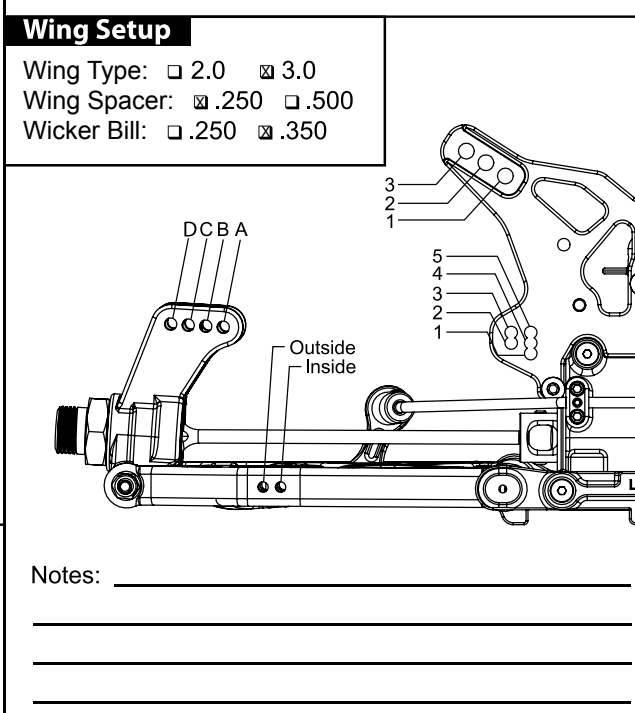
Limiters/Droop: 112.5mm

Overall Shock Length: _____

Camber Link: 4/C

Shock Location: 2/Outside

Rear Diff Fluid: 5000 wt



Electronics

Radio: _____ Servo Expo: _____

Servo: _____ Motor: _____

ESC: _____ Pinion: _____

Initial Brake: _____ Spur: _____

Drag Brake: _____ Battery: _____

Throttle Profile: _____

Timing Advance: _____

Throttle/Brake Expo: _____

Throttle/Brake EPA: _____

Tires	Type	Compound	Insert
Front:	_____	_____	_____
Rear:	_____	_____	_____
Notes:	_____		