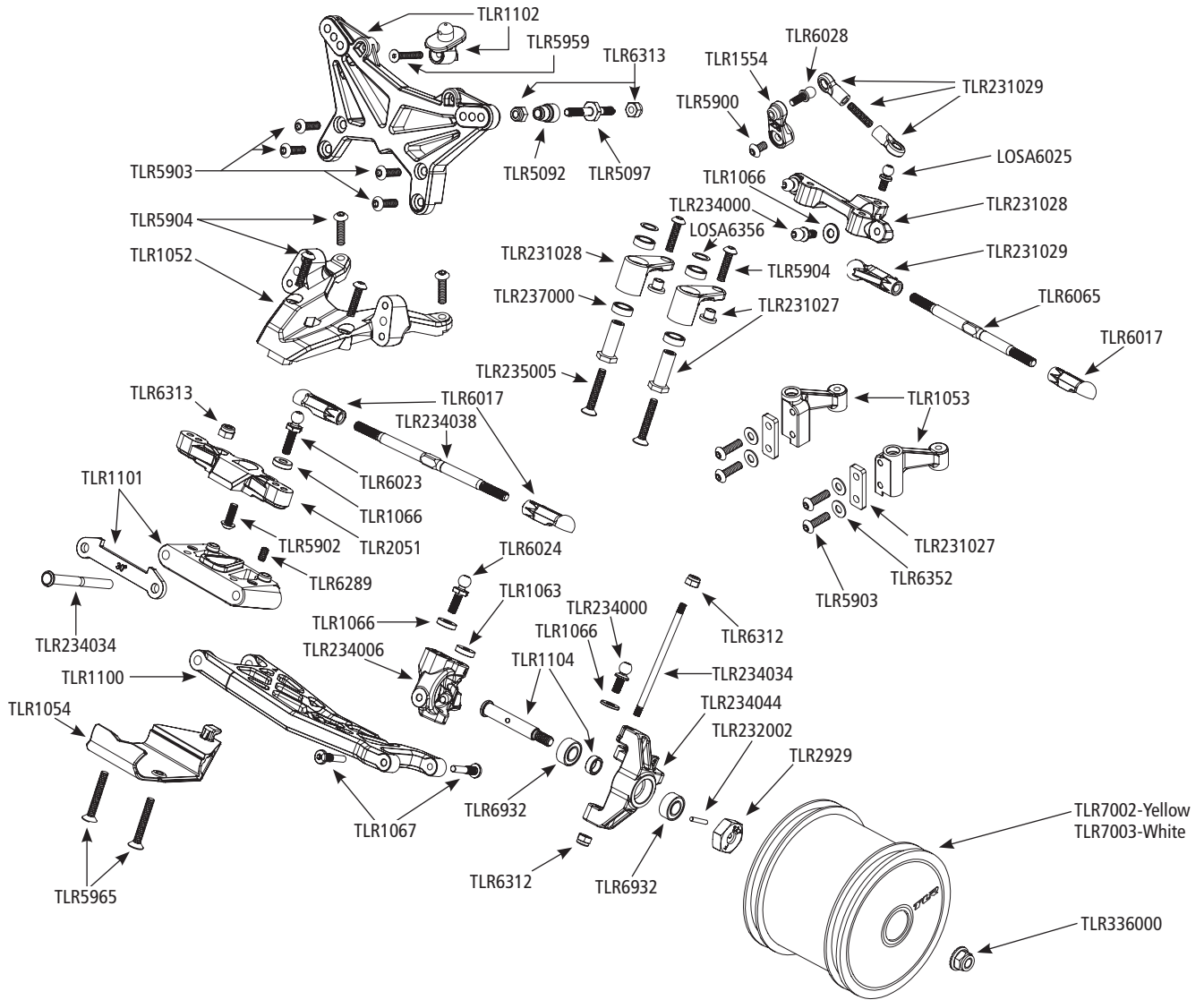
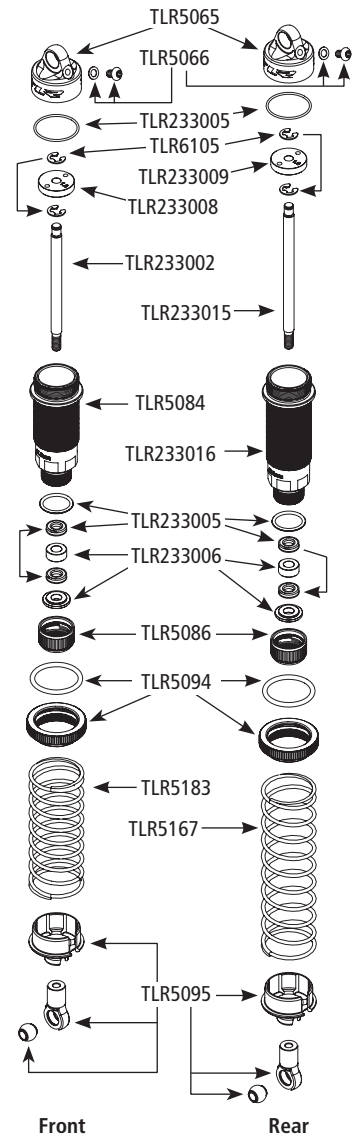
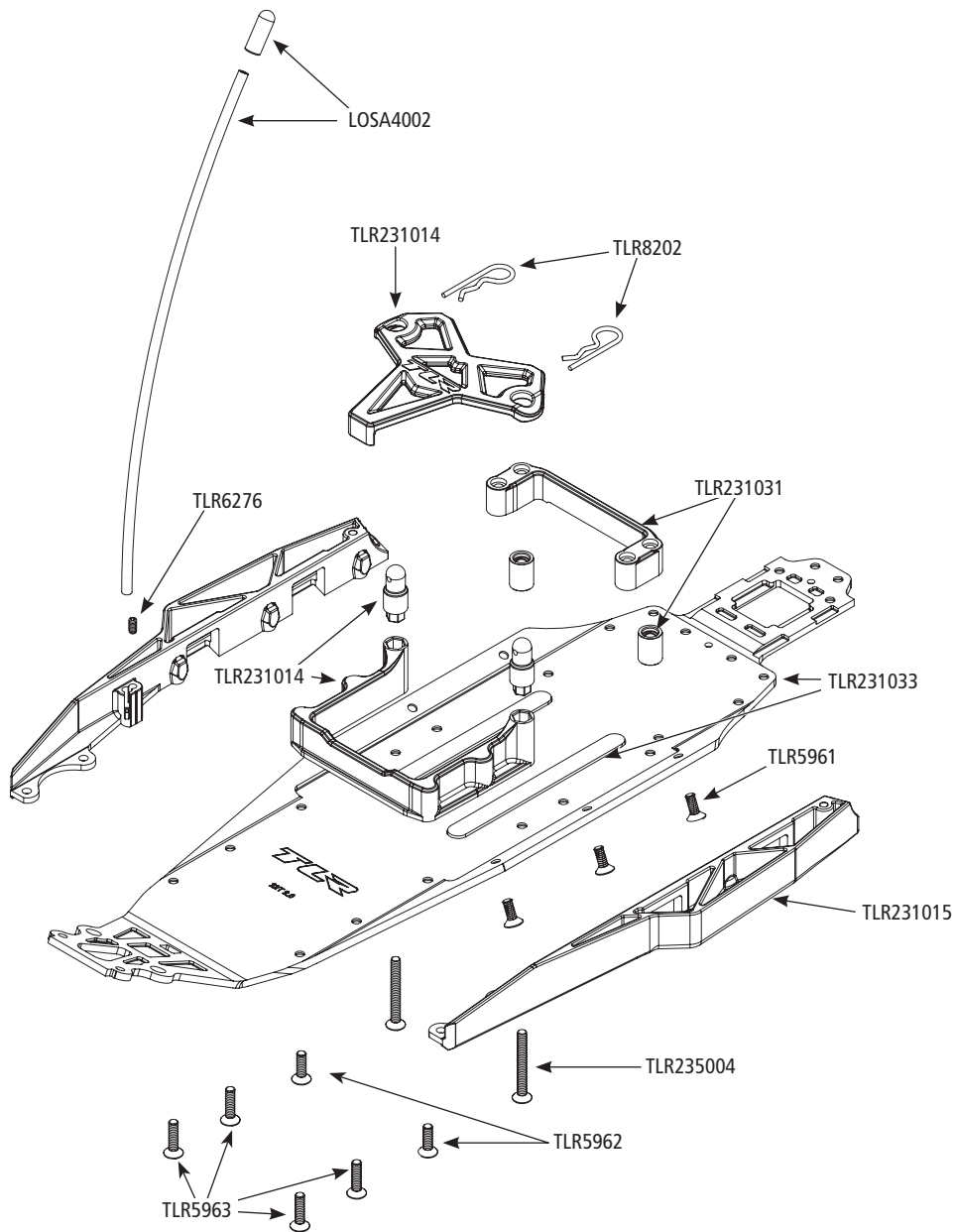


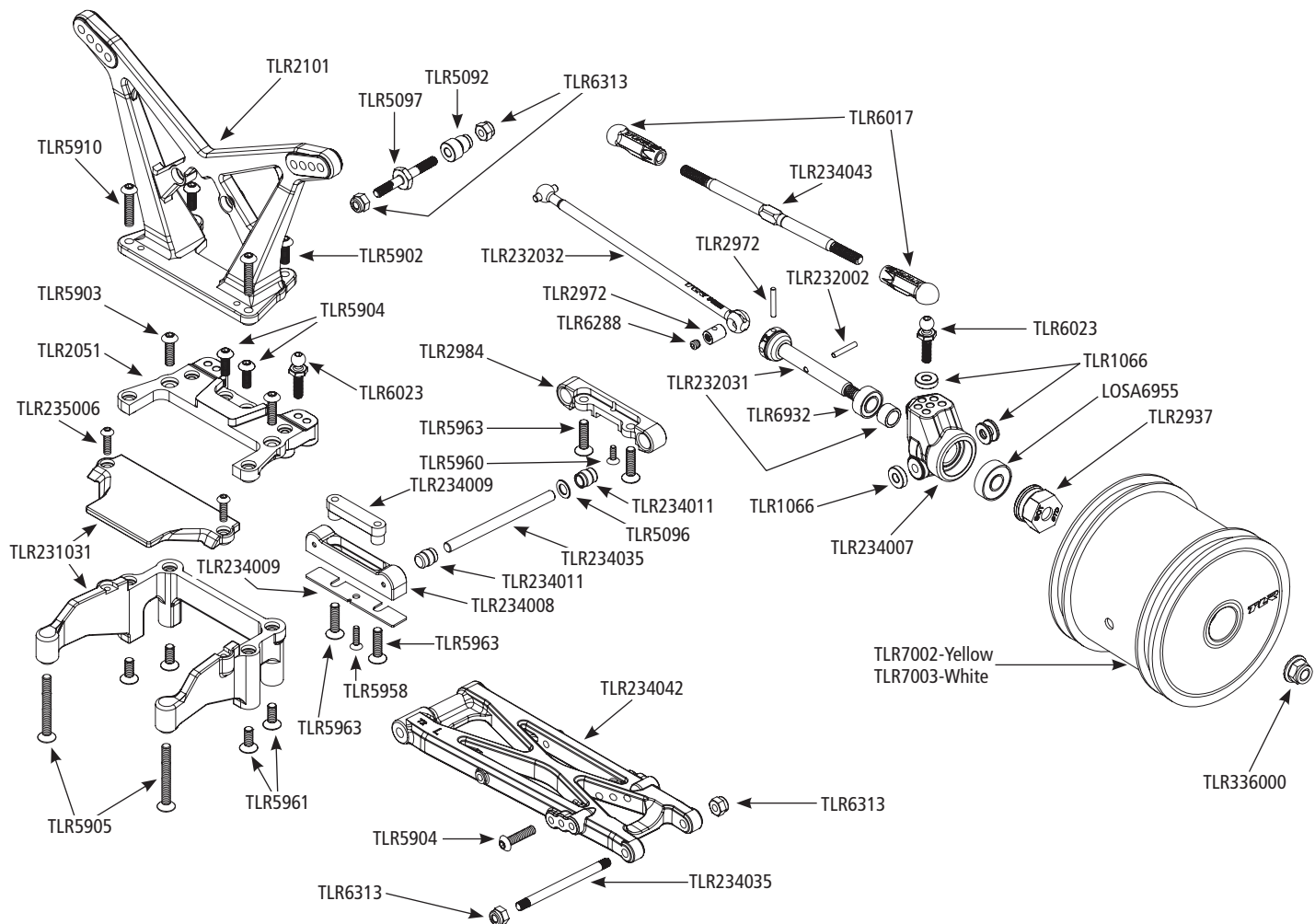
# REPLACEMENT PARTS / ERSATZTEILE / PIÈCES DE RECHANGE / PEZZI DI RICAMBIO / PIEZAS DE RECAMBIO



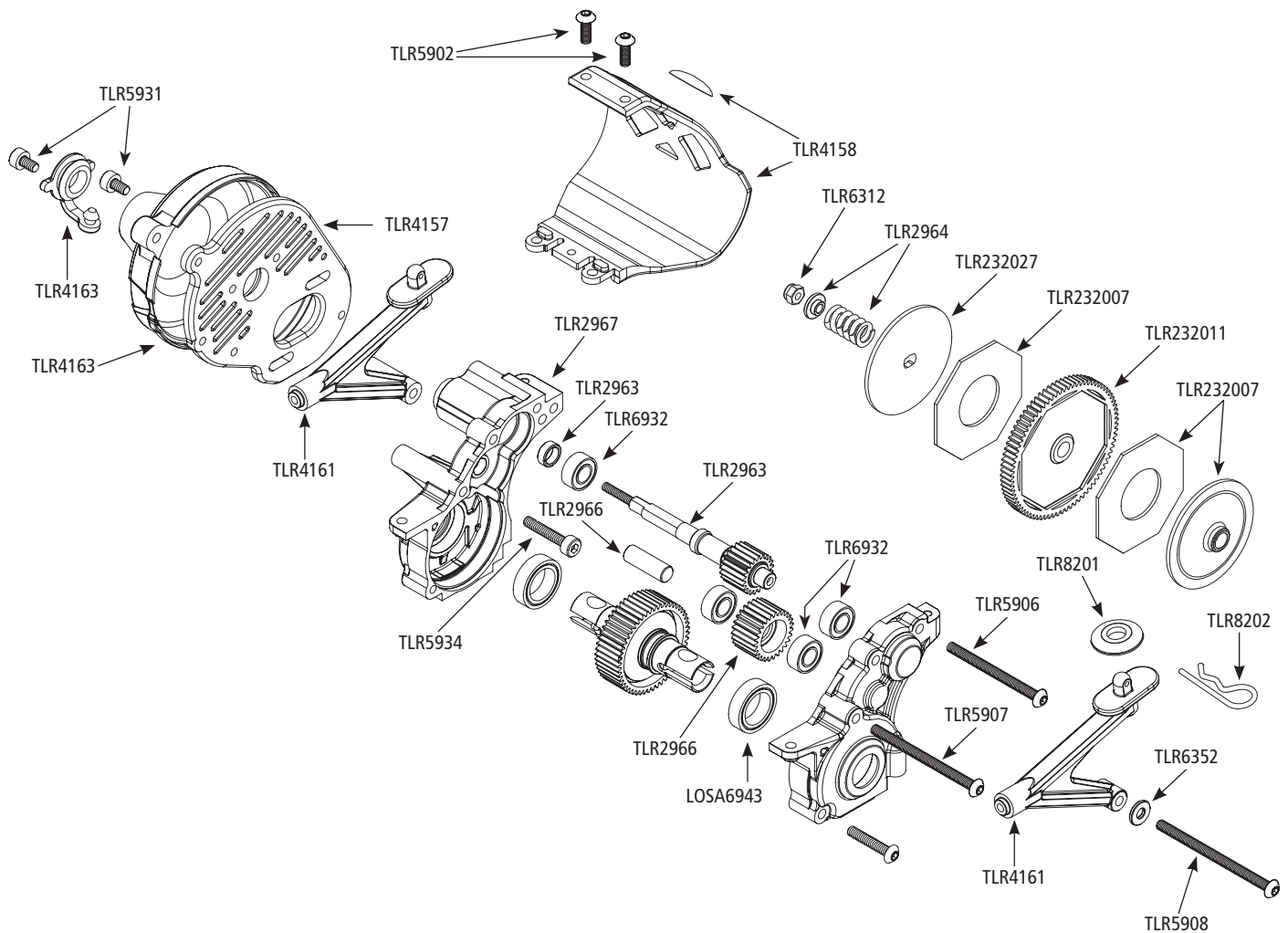
Part #	English	Deutsch	Français	Italiano	Español
LOSA4002	Antenna Kit	Losi Antennen Kit	Tube d'antenne	Kit antenna	Kit de antena
LOSA6025	Ball Studs & Ends, HD, 4-40x.215"	Losi Kugelpfannen u. Kugelköpfe HD 4-40 x .215	Rotules renforcées 4-40x.215	Prigionieri e terminali sfera, HD, 4-40x.215"	Juntas reforzadas 4-40x.215
LOSA6201	3mm x 6mm Socket Head Screw	Losi Inbuschraube 3mm x 6mm	Vis CHC M3x6mm (10)	3mm x 6mm Vite a brugola	Tornillos con cabeza tipo Allen 3x6mm
LOSA6306	4-40 Aluminum Mini-Nuts (10)	Losi 4-40 Aluminium Mini-Muttern (10)	Mini écrous 4-40 (10)	4-40 Mini dadi alluminio (10)	Mini-tuercas aluminio 4-40 (10)
LOSA6356	Shim Set, Metric 5mm/6mm	Unterlegscheiben Set Metrisch 5mm/6mm	Set de cales 5mm/6mm	Set spessori, metrici 5mm/6mm	Set de cuñas 5mm/6mm
LOSA6943	10 x 15mm Sealed Ball Bearing (2): 22	Losi 10 X 15mm Kugellager gekapselt (2): 22	Roulements étanches 10x15mm (2)	10 x 15mm Cuscinetti stagni (2): 22	Rodamiento sellado 10x15mm (2): 22
LOSA6955	5 x 13mm HD Clutch Bearings (2): 8B/8T	Losi 5 x 13mm HD Kupplungslager (2):8B/8T	Roulements renforcés 5x13mm	5 x 13mm HD Cuscinetti frizione (2): 8B/8T	Rodamientos campana HD 5x13mm (2): 8B/8T
TLR1052	Front Bulkhead: 22	TLR Dampferbrücke vorne: 22	Cellule avant	Paratia anteriore: 22	Caja delantera: 22
TLR1053	Front Servo Mount/Chassis Brace: 22	TLR Servohalter / Chassisstrebe: 22	Support de servo/renfort de châssis avant	Supporto servo anteriore/ telaio: 22	Soporte de servo/Chasis delantero: 22
TLR1054	Front Bumper: 22	Stoßfänger vorne: 22	Pare-choc avant : 22	Paraurti anteriore: 22	Parachoques delantero: 22
TLR1063	Spindle/Caster Block Shim Set: 22	Achsschenkel-/Lenkrollensperren-Scheibensatz	Jeu de cales de fusée/blocks de chasse	Set alberino / Distanziatore blocco ruote	Kit de arandelas de cáster para las manguetas
TLR1066	Ballsud/Hub Spacer set: 22	Gelenkbolzenanker, vorne und hinten, 22	Renfort de fusée AV et AR, 22	Staffe del cardine anteriori e posteriori, 22	Placa soporte pasadores delanteros y traseros, 22
TLR1067	King Pin Screw (8): 22	TLR King Pin (8): 22	Vis/axe d'étrier porte fusée (8)	Vite perno (8): 22	Tornillo King Pin (8): 22
TLR1100	Front Arm Set: 22T	Querlenker Set vorne: 22T	Set de bras de suspension avant : 22T	Set bracci anteriori: 22T	Trapecios delanteros: 22T
TLR1101	Front Pivot & Brace, 30 Degree: 22, 22T	Querlenkerhalter vorne 30° 22T & 22	Axe avant et renfort, 30°, 22T, 22	Perno e supporto anteriore, 30 gradi, 22T & 22	Placa y soporte trapecios delanteros 30°, 22T y 22



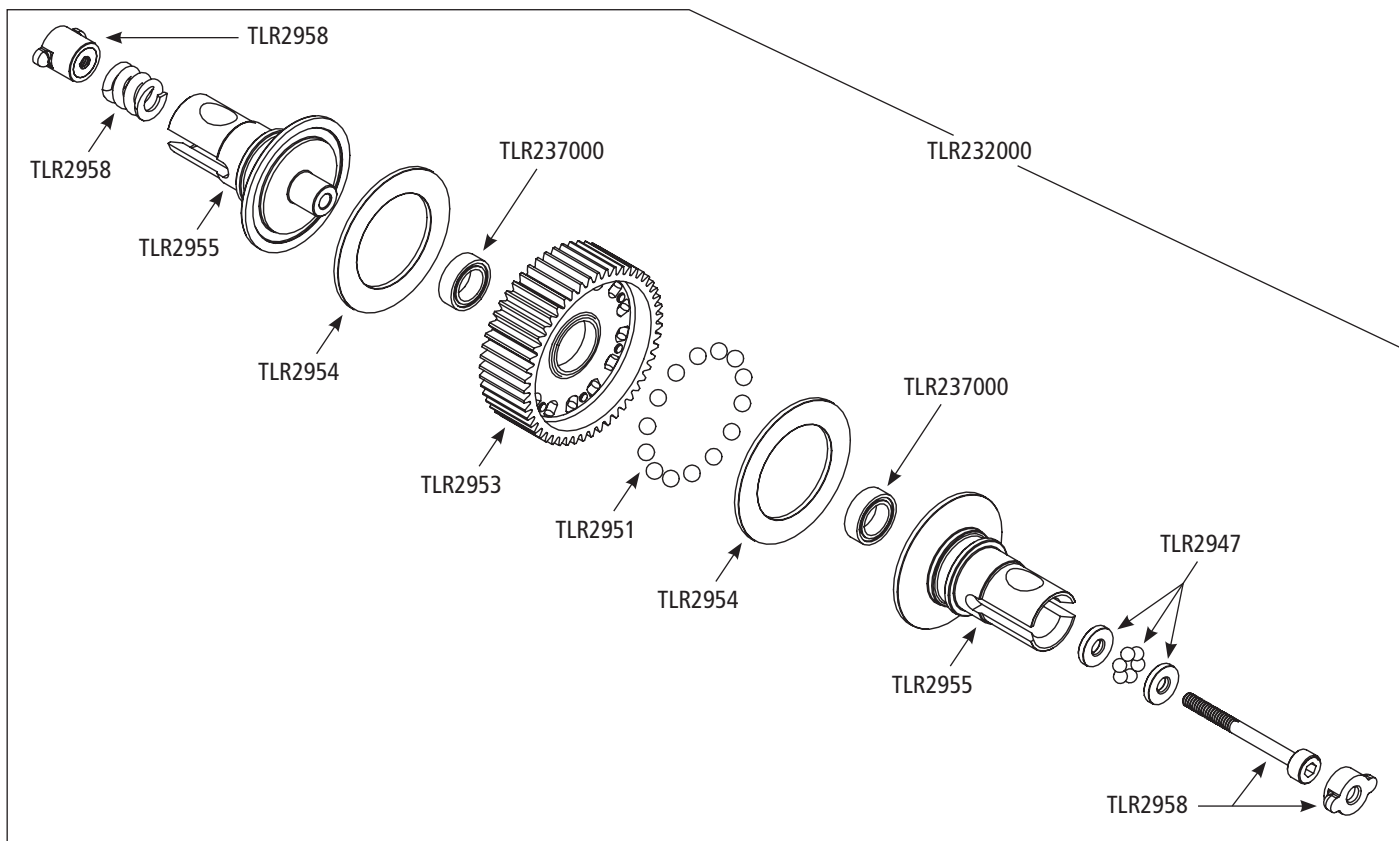
Part #	English	Deutsch	Français	Italiano	Español
TLR1102	Shock Tower & Body Mounts, Front: 22T	Dämpferbrücke & Karosseriehalter:22	Support d'amortisseur et de carrosserie avant : 22T	Torre ammortizzatore e supporto carrozzeria, anteriore: 22T	Soportes del amortiguador y de la carrozzeria delanteros: 22
TLR1104	Front Axles (2): 22T	Radachsen vorne (2) :22SCT	Axes de roues avant (2) : 22SCT	Assali anteriori (2): 22SCT	Ejes de rueda delanteros (2): 22SCT
TLR1554	Servo Horn Set, Steering: 22	TLR Servohorn Set: Lenkung: 22	Bras de servo	Set squadrette servo, sterzo: 22	Brazos servo dirección: 22
TLR2051	Front & Rear Camber Block Kit: 22	TLR Nachlaufblock v/h: 22	cales de carrossage avant et arrière 22	Blocco camber anteriore e posteriore Kit: 22	Bloque de camber delanteros y traseros: 22
TLR2101	Shock Tower, Rear Motor: 22T	Hinterer Dämpferdom, Heckmotor, 22T	Support d'amortisseur AR, moteur AR, 22T	Torre ammortizzatore posteriore, motore posteriore, 22T	Torreta trasera, Motor trasero, 22T
TLR2102	Shock Tower, Mid Motor: 22T	Hinterer Dämpferdom, Mittelmotor, 22T	Support d'amortisseur AR, moteur Centre, 22T	Torre ammortizzatore posteriore, motore mediano, 22T	Torreta trasera, Motor central, 22T
TLR231014	Battery Mounts Mid/Rear: 22/2.0/T/SCT	TLR Akkuhalter Mitte/hinten:22SCT 2.0	Supports de batterie milieu/ arrière - 22/2.0/T/SCT	Supporti batteria, centrale/posteriore: 22/2.0/T/SCT	Soportes de batería central/trasero - 22/2.0/T/SCT
TLR231015	Mud Guard Set: 22/2.0/T	Spritzschutzset: 22/2.0/T	Set de garde boue: 22/2.0/T	Set parafanghi: 22/2.0/T	Guardabarros trapecios: 22/2.0/T
TLR231027	Bell Crank Steering System w/ HDWR: 22/2.0/T/SCT	TLR Lenkung mit Lenkhebel m. HDWR: 22SCT 2.0	Système de direction à pivots - 22/2.0/T/SCT	Rinvio angolare sistema sterzo c/HDWR 22/2.0/T/SCT	Sistema de dirección a pivotes: 22/2.0/T/SCT
TLR231028	Bell Crank and Drag Links: 22/2.0/T/SCT	TLR Lenkhebel mit Zugstange:22SCT 2.0	Renvois de direction - 22/2.0/T/SCT	Rinvio angolare e trascinato: 22/2.0/T/SCT	Pivotes y biela de arrastre: 22/2.0/T/SCT
TLR231029	Steering Link and Angled Ball Cups: 22/2.0/T/SCT	TLR: TLR Lenkgestänge und Kugelpfannen gewinkelt: 22SCT 2.0	Biellette de direction avec chapes	Collegamento sterzo e attacchi a sfera: 22/2.0/T/SCT	Varilla de dirección con abrazaderas: 22/2.0/T/SCT
TLR231031	Rear Battery Tray, Mount, Rear Motor: 22/2.0/T/SCT	TLR Akkuhalter hinten, Heckmotor: 22/2.0/T/SCT	Support de batterie arrière/ moteur arrière	Sede batteria posteriore, supporto, motore posteriore: 22/2.0/T/SCT	Soporte de batería trasero Motor trasero: 22/2.0/T/SCT
TLR231033	Chassis: 22T/2.0	Chassis: 22T/2.0	Châssis: 22T/2.0	Telaio: 22T/2.0	Chasis: 22T/2.0
TLR232002	Solid Drive Pin Set (8): 22/T/ SCT	TLR Kolbenstange 3.5 x 50mm TiCN (2)	Tiges d'amortisseurs, 3.5x50mm, TiCN (2)	Albero ammortizzatore, 3.5 x 50mm, TiCN (2)	Vástago amortiguador TiCN 3.5x50mm (2)
TLR232007	HDS Slipper Pad (2)	TLR Rutschkupplungsset (2)	Garnitures de slipper HDS (2)	Piastrina slipper HDS	Almohadillas de Slipper HDS (2)



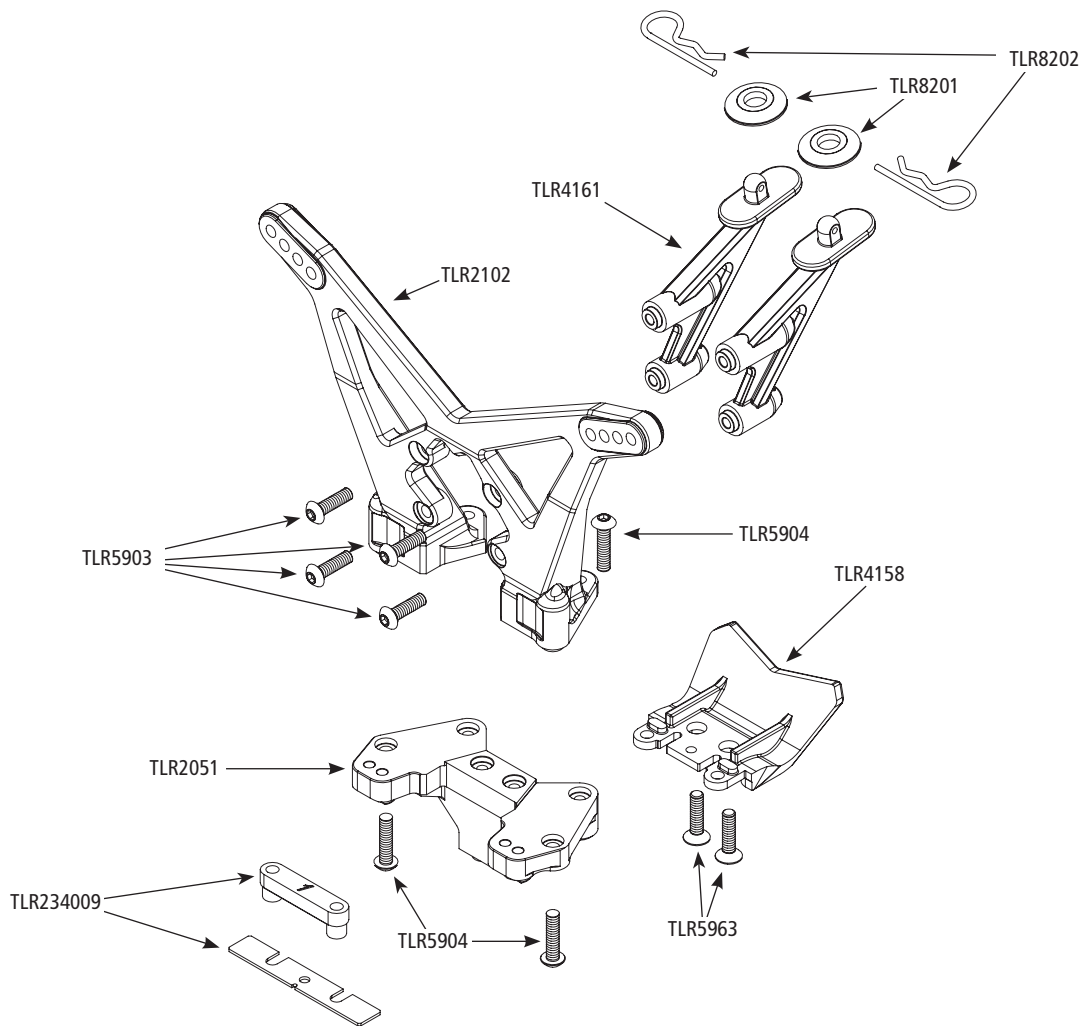
Part #	English	Deutsch	Français	Italiano	Español
TLR232011	HDS Spur Gear, 82T 48P, Kevlar: All 22	HDS Stirrad, 82T 48P, Kevlar: alle 22	Couronne HDS kevlar 82T 48p : 22 tous modèles	HDS Spur Gear, 82T 48P, Kevlar: tutte le 22	Corona HDS 48p kevlar 82T: 22 Todos los modelos
TLR232027	Grooved Slipper Plates (2): All 22/XXX	TLR Rutschkupplungbeläge geriffelt (2) : alle 22/XXX	Plateaux de slipper rainurés (2) - Tous les 22/XXX	Piastre slipper scanalate: tutti 22/XXX	Placas de Slipper ranurados: 22/XXX Todos
TLR232031	CVA Driveshaft Set Complete (2): 22T 2.0	TLR CVA Antriebswellenset kpl (2) 22T/2.0	Set de cardans CVA complets (2) - 22T 2.0	Set completo albero trasmissione CVA (2): 22T 2.0	Set de cardanes CVA completos (2): 22T 2.0
TLR232032	CVA Driveshaft Bone (2): 22T 2.0	TLR 22SCT/2.0: CVA Antriebsknochen kpl. (2)	Tiges de cardans CVA (2) - 22SCT 2.0	Trascinatore trasmissione CVA: 22SCT 2.0	Vástago cardanes CVA (2) - 22SCT 2.0
TLR233002	Shock Shaft, 3.5 x 50mm, TiCN (2)	TLR Kolbenstange 3.5 x 50mm TiCN (2)	Tiges d'amortisseurs, 3.5x50mm, TiCN (2)	Albero ammortizzatore, 3.5 x 50mm, TiCN (2)	Vástago amortiguador TiCN 3.5x50mm (2)
TLR233005	Seal Set, X-Rings, Shock Cap O-Rings: All 22	TLR Dichtungssset X Ringe Stoßdämpferkappen O-ringe: alle 22	Set de joints d'étanchéité et toriques de bouchons d'amortisseurs	Set guarnizioni, x-ring, o-ring tappo ammortizzatore: All 22	Tóricas amortiguador: Todos 22
TLR233006	Shock Bushing Set, Machined (4): All 22	TLR Stoßdämpferlager Set (4) alle 22	Set de paliers d'amortisseurs usinés (4)	Set boccole ammortizzatore, fresate (4): tutti 22	Casquillos amortiguador (4): Todos 22
TLR233008	Shock Piston 12mm 1.5x2 CNC Machined (4): All 22, SCTE	TLR Stoßdämpferkolben 12mm 1.5 x2 CNC gefertigt (4), alle 22, SCTE	Pistons d'amortisseurs usinés CNC diamètre 12mm, 1,5x2 trous (4)	Pistone ammort. 12mm 1.5x2 lavorato CNC (4): Tutti 22, SCTE	Pistón amortiguador CNC mecanizada 12mm 1.5 x 2 (4): 22 Todos, SCTE
TLR233009	Shock Piston 12mm 1.6x2 CNC Machined(4): All 22, SCTE	TLR Stoßdämpferkolben 12 1.6x2 CNC (4) alle 22, SCTE	Pistons d'amortisseurs usinés CNC diamètre 12mm, 1,6x2 trous (4)	Pistone ammortizzatore 12mm 1.6x2 prodotto con CNC (4): All 22, SCTE	Pistón amortiguador CNC mecanizado 12mm 1.6 x 2 (4): Todos 22, SCTE
TLR233015	Shock Shaft, 3.5 x 60.5mm, TiCN (2)	TLR Kolbenstange, 3.5 x 60.5mm, TiCN (2)	Tiges d'amortisseurs TiCN 3,5x60,5mm (2)	Albero ammort. 3.5 x 60.5mm, TiCN (2)	Vástago amortiguador TiCN 3.5x60.5mm (2)
TLR233016	Shock Body Set, 50.5mm (2)	TLR Stoßdämpfergehäuse Set, 50.5mm (2)	Set de corps d'amortisseurs 50.5mm (2)	Set corpo ammort. 50.5mm (2)	Cuerpo amortiguador 50.5mm (2)
TLR234000	Ball Stud, Low Mount, 4.8 x 6mm (4): 22/T/SCT	TLR Kugelkopf für untere Montage (4)	Support inférieur, rotules 4,8 x 6mm (4)	Prigioniero sfera, montaggio basso, 4.8 x 6mm (4): 22/T/ SCT	Bola con tornillo corta, 4.8x6mm (4): 22/T/SCT
TLR234006	Caster Block Set, 0 & 5 degrees: 22/2.0/T/SCT	TLR C-Hub 0 + 5° 22/2.0/T/SCT	Etriers avant 0 et 5°	Set blocco caster, 0 & 5 gradi: 22/2.0/T/SCT	Portamanguetas 0° y 5°: 22/2.0/T/SCT
TLR234007	Front Spindle & Rear Hub Set: 22/2.0/T/SCT	Frontspindel und Radträger hinten: 22/2.0/T/SCT	Set de fusées avant et arrière : 22/2.0/T/SCT	Fusello anteriore e set hub posteriore: 22/2.0/T/SCT	Set de manguetas delanteras y traseras: 22/2.0/T/SCT
TLR234008	Front/Rear Hinge Pin Brace: 22/2.0/T/SCT	TLR: Querlenkerhalter v/h 22/2.0/T/SCT	Renfort de cellule av/arr	Supporto perno cerniera anteriore/posteriore: 22/2.0/T/SCT	Soporte pasadores trapecios del/tras. : 22/2.0/T/SCT
TLR234009	Anti-Squat Tuning Set, LRC: 22/2.0/T/SCT	TLR: Anti-Squat Tuning Set, LRC: 22/2.0/T/SCT	Set anti cabrage centre de roulis bas	Set messa a punto anti-squat, LRC: 22/2.0/T/SCT	Juego placas anti-squat LRC: 22/2.0/T/SCT
TLR234011	Suspension Pivot Ball, Molded: All 22	TLR Querlenkerhalter Kugelköpfe alle 22	Boules de pivots de suspensions	Sfera perno sospensione, stampata: All 22	Bolas pasadores trapecios: Todos 22



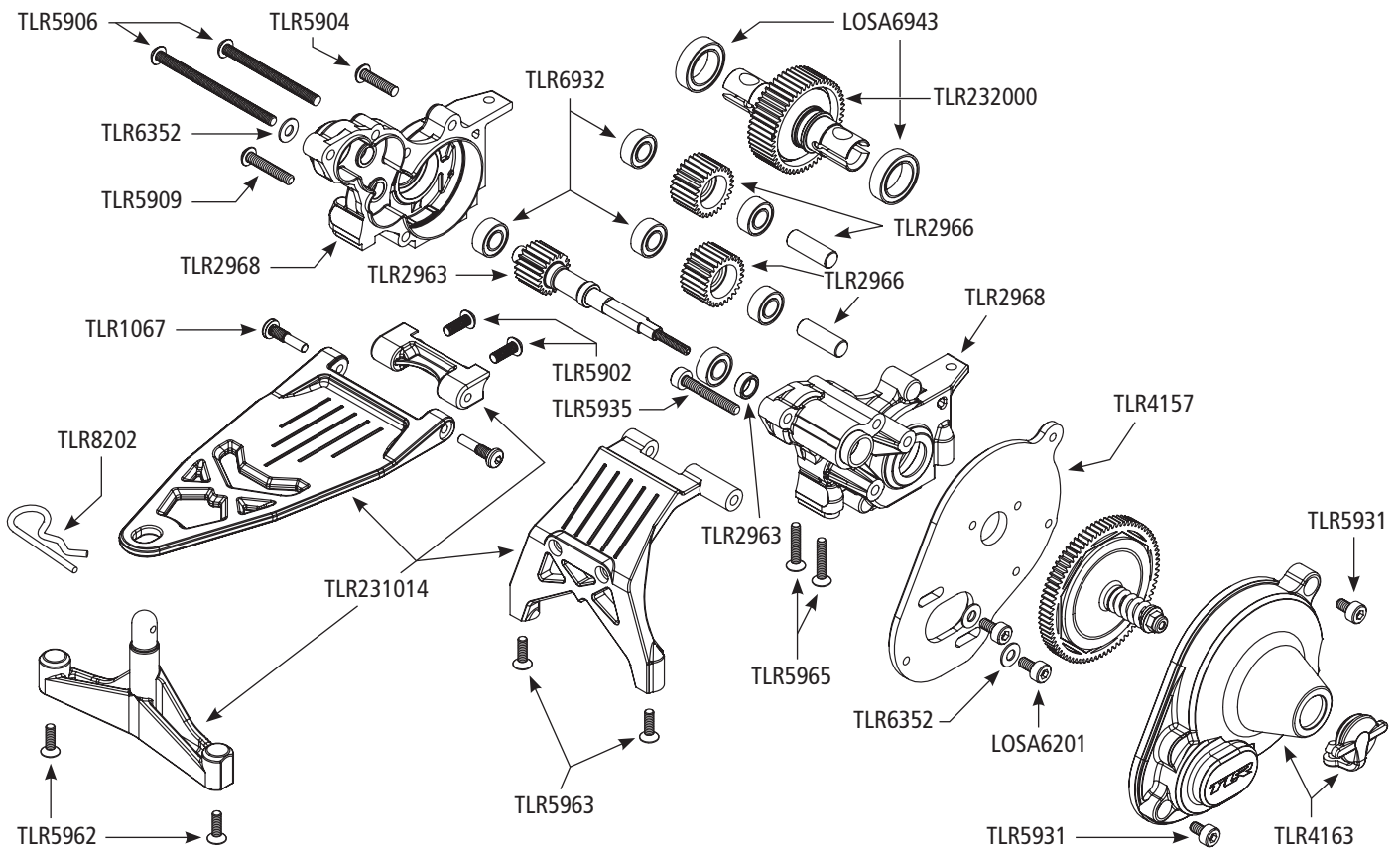
Part #	English	Deutsch	Français	Italiano	Español
TLR234034	Front Hinge/King Pin Set: 22/2.0/T/SCT	TLR: Hinge Pin vorne Set (4): 22SCT/2.0	Set d'axes de suspension et de direction - 22/2.0/T/SCT	Set cerniera/perno anteriore: 22/2.0/T/SCT	Ejes de suspensión y de dirección delanteros: 22/2.0/T/SCT
TLR234035	Rear Hinge Pin Set: 22/2.0/T/SCT	TLR: Hinge Pin hinten Set (4): 22SCT/2.0	Axes de suspension arrière - 22/2.0/T/SCT	Set perno cerniera posteriore: 22/2.0/T/SCT	Ejes de suspensión y de dirección traseros: 22/2.0/T/SCT
TLR234038	Turnbuckle, HD, 75mm (2): 22SCT 2.0	TLR: Gewindestift HD 75mm (2): 22SCT/2.0	Biellettes renforcées 75mm (2) - SCT 2.0	Tenditore, HD, 75mm (2): 22SCT 2.0	Tensores 75mm (2): SCT 2.0
TLR234042	Rear Arm Set: 22T 2.0	TLR Querlenker hinten: 22T/2.0	Set de triangles arrière - 22T 2.0	Set braccio posteriore: 22T 2.0	Set brazo trasero: 22T 2.0
TLR234043	Turnbuckle, HD, 80mm (2): 22T 2.0	Gewindestift HD, 80mm (2): 22T 2.0	Biellettes renforcées, 80mm (2): 22T 2.0	Tenditore, HD, 80mm (2): 22T 2.0	Tensores, 80mm (2): 22T 2.0
TLR234044	Front Spindle Set, 2mm Trail: 22T 2.0	Frontspindel und Radträger hinten: 22/2.0/T/SCT	Set de fusées avant 2mm : 22T 2.0	Set fusello anteriore, 2mm trail: 22T 2.0	Set de mangueta delantera 2mm: 22T 2.0
TLR235004	Flat Head Screws, M3 x 25mm (10)	TLR: Flachkopfschrauben, M3 x 25mm (10)	Vis à tête fraisée M3x25mm (10)	Viti a testa piatta M3 x 25mm (10)	Tornillo cónico 3 x 25mm (10)
TLR235005	Flat Head Screws, M3 x 18mm (10)	TLR: Flachkopfschrauben, M3 x 18mm (10)	Vis à tête fraisée M3x18mm (10)	Viti a testa piatta M3 x 18mm (10)	Tornillo cónico 3 x 18mm (10)
TLR235006	Button Head Screws, M2.5 x 8mm (10)	TLR Halbrundschrabe, M 2.5 x 8mm (10)	Vis à tête bombée M2.5x8mm (10)	Viti a testa tonda, M2.5 x 8mm (10)	Tornillo botón 2.5 x 8mm (10)
TLR237000	5x8x2.5mm Bearings (2)	TLR 5 x8x2.5mm Lager (2)	Roulements 5 x 8 x 2.5mm	5 x 8 x 2.5mm cuscinetti (2)	Rodamientos 5x8x2.5mm (2)
TLR2929	Front/Rear Wheel Hex: 22T	TLR Radmitnehmer Vorne/ Hinten: 22T	Hexagones de roues av et arr - 22T	Esagono ruota ant/post: 22T	Rueda Hex del/tras - 22T
TLR2937	Fr/R Wheel Hex: 22SCT	TLR Radmitnehmer Vorne/ Hinten: 22SCT	Hexagones de roues av et arr - 22SCT	Esagono ruota ant/post: 22SCT	Rueda Hex del/tras - 22SCT
TLR2947	Tungsten Carbide Diff Balls, 2mm (6)	TLR Tungsten Carbide Kugeln, 2mm (6)	Billes de différentiel en carbure de tungstène, 2mm (6)	Sfere diff. al carburo di tungsteno, 2mm (6)	Bolas axial carburo de tungsteno 2mm (6)
TLR2951	Tungsten Carbide Diff Balls, 3/32mm (14) 22/T/SCT	TLR Tungsten Carbide Kugel 3/32 (14)	Bille de différentiel en carbure de tungstène, 3/32 (14)	Sfere diff. al carburo di tungsteno, 3/32mm (14) 22/T/SCT	Bolas diferencial carburo de tungsteno 3/32" (14) 22/T/SCT
TLR2952	Silicone Diff Grease, 8cc: 22	TLR Differentialfett/8cc: 22	Graisse silicone pour diff, 8cc	Grasso silicone diff, 8cc: 22	Grasa silicona diferencial, 8cc: 22
TLR2953	Diff Gear, 51T: 22	TLR Diff-Zahnrad 51Z: 22	Couronne de diff 51T	Ingranaggio differenziale, 51T: 22	Corona diferencial 51T: 22
TLR2954	Drive Rings (2): 22	TLR Gleitringe Diff: 22	Plateau de différentiel (2)	Anelli trasmissione (2): 22	Pistas diferencial (2): 22
TLR2955	Outdrive Set: 22	TLR Antriebsklauen Set: 22	Noix de sortie de diff	Set trascinatore: 22	Vasos diferencial: 22
TLR2958	Diff Through Screw & Nut: 22	TLR Spannschraube mit Mutter: 22	Vis et écrou de serrage du diff	Viti passanti diff. & dadi: 22	Tornillo diferencial y tuerca: 22



Part #	English	Deutsch	Français	Italiano	Español
TLR2963	Layshaft & Spacer: 22	TLR Hauptwelle mit Distanzring: 22	Arbre de slipper avec entretoise	Albero secondario & distanziale: 22	Eje transmisión y espaciador: 22
TLR2964	Slipper Spring: 22	TLR Slipper Feder: 22	Ressort de slipper	Molla antisaltellamento: 22	Muelle slipper: 22
TLR2966	Idler Gear & Shaft (2): 22	TLR Zwischenrad mit Steckachse: 22	Pignon intermédiaire avec axe	Ingranaggio tenditore & albero (2): 22	Piñón intermedio y eje (2): 22
TLR2967	Gear Case, Rear Motor: 22	TLR Getriebegehäuse, Heckmotor: 22	Carter de transmission, moteur arrière	Scatola ingranaggi, motore posteriore: 22	Caja transmisión, motor trasero: 22
TLR2968	Gear Case, Mid Motor: 22	Getriebegehäuse Mittelmotor: 22	Carter de transmission, moteur central : 22	Scatola ingranaggio, motore centrale: 22	Caja transmisión, motor central: 22
TLR2972	Driveshaft Rebuild Kit: All 22	Antriebswellen Rebuild Kit: All 22	Arbre de transmission Rebuild Kit: All 22	Driveshaft Rebuild Kit: All 22	Kit para reconstruir el árbol transmisión: Todos 22
TLR2984	Toe Plate, Aluminum, 3 Degree, LRC: 22	TLR Querlenkerhalter Hinten Alum. 3 Grad LRC: 22	Cale de pincement en aluminium, 3°, LRC	Piastra alluminio, 3 gradi, LRC: 22	Placa convergencia trasera 3° aluminio LRC: 22
TLR336000	4mm Aluminum Serrated Lock Nuts, Black (6)	TLR 4mm Aluminium Stopmutter mit Flansch, schwarz 6St.	Ecrous de roues striés M4, noirs (6)	Dadi 4mm dentellati per blocco, neri (6)	Tuerca del bloqueo arandela M4, negro (6)
TLR4157	Motor Plate: 22	TLR Motorplatte: 22	Support moteur	Piastra motore: 22	Placa motor: 22
TLR4158	Motor Guard & Rear Bumper: 22	TLR Motorschutz und Stoßfänger: 22	Protection de moteur et pare-choc arr	Protezione motore & paraurti posteriore: 22	Protector motor y parachoques trasero: 22
TLR4161	Wing Stay Set, Rear/Mid Motor: 22	Flügelhalterset, Heck/Mittelmotor: 22	Support d'aile, moteur central/arrière : 22	Set supporto alettone, motore posteriore/centrale: 22	Soporte del Alerón, motor central / trasero: 22
TLR4163	Gear Cover & Plug: 22	TLR Getriebeabdeckung und Stopfen:22	Couvercle de transmission avec capuchon	Coperchio ingranaggio & tappo: 22	Protector corona y tapón: 22
TLR5065	Bleeder Shock Caps, Alum (2): 22/T	TLR Stoßdämpferkappen Set (2): 22/T	Bouchons d'amortisseurs en aluminium avec purgeurs (2)	Tappo sfiato ammortizzatori, allum. (2): 22/T	Tapa superior amortiguador aluminio (2): 22/T
TLR5066	Bleeder Shock Cap Screw & Washers (4): 22/T	Stoßdämpfervolumenausgleichskappe, Schraube und Unterlegscheibe (4) 22/T	Vis de purge avec joints (4)	Vite e rondelle tappo sfiato ammortizzatore. (4): 22/T	Tornillo y arandela tapa superior amortiguador (4): 22/T
TLR5084	Rear Shock Body Set (2): 22	TLR Dämpfergehäuse-Set Hinten (2): 22	Set de corps d'amortisseurs arrière (2)	Set corpo ammortizzatore poster. (2): 22	Cuerpo amortiguador trasero (2): 22
TLR5086	Shock Cap: Bottom (2): 22	TLR Stoßdämpferendkappe unten (2):22	Bouchon inférieur d'amortisseur (2)	Tappo ammort.: inferiore (2): 22	Tapa inferior amortiguador (2): 22
TLR5092	Upper Shock Bushing (4): 22	TLR Buchsen für Dämpfer: 22 (4)	Entretoise supérieure d'amortisseur (4)	Boccola superiore ammort. (4): 22	Casquillo sujeción superior amortiguadores (4): 22
TLR5094	Shock Preload Adjuster Nut w/O-ring: 22	TLR Vorspannung Aluminium, 12mm Dämpfer	Bague de réglage d'amortisseur avec joint torique	Dado regolazione precarico ammort. senza O-ring: 22	Tuerca ajuste amortiguador con tórica: 22
TLR5095	Shock End Set w/Spring Cups, 12mm Shock: 22	TLR Endkugelflanne / Federsteller, 12mm Dämpfer: 22	Chapes et coupelles d'amortisseurs	Terminale ammort. c/molla a tazza, 12mm: 22	Rótula y soporte muelle amortiguador 12mm: 22
TLR5096	Shock Limiter Set, 3.5mm Shaft: 22	TLR Einfederbegrenzung-Set, 3.5mm: 22	Butées d'amortisseurs 3.5mm	Set limitatore ammort., albero 3,5mm.: 22	Limitadores amortiguador, vástago 3.5mm: 22
TLR5097	Shock Standoff (2): 22	TLR Dämpferhalter: 22	Entretoise d'amortisseur (2)	Supporto ammortizzatore (2): 22	Sujeción superior amortiguador (2): 22
TLR5167	Rear Shock Spring, 2.0 Rate, yellow	TLR Federpaar hinten, 2.0 Rate, gelb	Ressorts arrière, rouges jaunes 2.0	Molla ammort. posteriore, 2.0 Rate, giallo	Muelle amortiguador trasero, durezo 2.0, amarilla



Part #	English	Deutsch	Français	Italiano	Español
TLR5183	Front Shock Spring, 3.8 Rate, Blue: 22T	TLR Federsatz vorne 3.8, blau: 22T	Ressorts avant, bleus, dureté 3.8	Molla ammort. anteriore, 3.8 Rate, blu: 22T	Muelle amortiguador delantero, durezo 3.8, azul
TLR5900	Button Head Screws, M3 x 5mm (10)	TLR Rundkopfschraube, M3 x 5mm (10)	Vis à tête bombée M3 x 5mm (10)	Viti testa tonda, M3 x 5mm (10)	Tornillo botón 3 x 5mm (10)
TLR5902	Button Head Screws, M3 x 8mm (10)	TLR Rundkopfschraube, M3 x 8mm (10)	Vis à tête bombée M3 x 8mm (10)	Viti testa tonda, M3 x 8mm (10)	Tornillo botón 3 x 8mm (10)
TLR5903	Button Head Screws, M3 x 10mm (10)	TLR Rundkopfschraube, M3 x 10mm (10)	Vis à tête bombée M3 x 10mm (10)	Viti testa tonda, M3 x 10mm (10)	Tornillo botón 3 x 10mm (10)
TLR5904	Button Head Screws, M3 x 12mm (10)	TLR Rundkopfschraube, M3 x 12mm (10)	Vis à tête bombée M3 x 12mm (10)	Viti testa tonda, M3 x 12mm (10)	Tornillo botón 3 x 12mm (10)
TLR5906	Button Head Screws, M3 x 35mm (10)	TLR Rundkopfschraube, M3 x 35mm (10)	Vis à tête bombée M3 x 35mm (10)	Viti testa tonda, M3 x 35mm (10)	Tornillo botón 3 x 35mm (10)
TLR5907	Button Head Screws, M3 x 40mm (10)	TLR Rundkopfschraube, M3 x 40mm (10)	Vis à tête bombée M3 x 40mm (10)	Viti testa tonda, M3 x 40mm (10)	Tornillo botón 3 x 40mm (10)
TLR5908	Button Head Screws, M3 x 44mm (10)	TLR Rundkopfschraube, M3 x 44mm (10)	Vis à tête bombée M3 x 44mm (10)	Viti testa tonda, M3 x 44mm (10)	Tornillo botón 3 x 44mm (10)
TLR5909	Button Head Screws, M3 x 16mm (10)	TLR Rundkopfschraube, M3 x 16mm (10)	Vis à tête bombée M3 x 16mm (10)	Viti testa tonda, M3 x 16mm (10)	Tornillo botón 3 x 16mm (10)
TLR5910	Button Head Screws, M3 x 14mm (10)	TLR Rundkopfschrauben M3 x 14mm (10)	Vis à tête bombée M3x14mm (10)	Viti a testa tonda, M3 x 14mm (10)	Tornillo botón 3 x 14mm (10)
TLR5931	Cap Head Screws, M3 x 5mm (10)	TLR Zylinderkopfschraube, M3 x 5mm (10)	Vis BTR M3 x 5mm (10)	Viti testa a brugola, M3 x 5mm (10)	Tornillo redondo 3 x 5mm (10)
TLR5934	Cap Head Screws, M3 x 16mm (10)	TLR Rundkopfschraube, M3 x 16mm (10)	Vis BTR M3 x 16mm (10)	Viti testa a brugola, M3 x 16mm (10)	Tornillo redondo 3 x 16mm (10)
TLR5935	Cap Head Screws, M3 x 20mm (4)	Rundkopfschraube, M3 x 20mm (4)	Vis BTR, M3 x 20mm (4)	Viti testa a brugola M3 x 20mm (4)	Tornillo redondo, M3 x 20mm (4)
TLR5958	Flat Head Screw, M2 x 8mm (10)	TLR Flachkopfschrauben, M2 x 8mm (10)	Vis à tête fraisée M2 x 8mm (10)	Vite a testa piatta, M2 x 8mm (10)	Tornillo cónico 2 x 8mm (10)
TLR5959	Flathead Screws, M2.5 x 16mm (10)	Flachkopfschrauben, M2.5 x 16mm (10)	Vis à tête fraisée M2.5 x 16mm (10)	Vite a testa piatta, M2.5 x 16mm (10)	Tornillo cónico M2.5 x 16mm (10)
TLR5960	Flat Head Screw, M2 x 6mm (10)	TLR Flachkopfschrauben, M2 x 6mm (10)	Vis à tête fraisée M2 x 6mm (10)	Vite a testa piatta, M2 x 6mm (10)	Tornillo cónico 2 x 6mm (10)
TLR5961	Flat Head Screw, M3 x 8mm (10)	TLR Flachkopfschrauben, M3 x 8mm (10)	Vis à tête fraisée M3 x 8mm (10)	Vite a testa piatta, M3 x 8mm (10)	Tornillo cónico 3 x 8mm (10)
TLR5962	Flathead Screws, M3 x 10mm (10)	TLR Flachkopfschrauben, M3 x 10mm (10)	Vis à tête fraisée M3 x 10mm (10)	Vite a testa piatta, M3 x 10mm (10)	Tornillo cónico M3 x 10mm (10)
TLR5963	Flat Head Screw, M3 x 12mm (10)	TLR Flachkopfschrauben, M3 x 12mm (10)	Vis à tête fraisée M3 x 12mm (10)	Vite a testa piatta, M3 x 12mm (10)	Tornillo cónico 3 x 12mm (10)
TLR5964	Flat Head Screw, M3 x 16mm (10)	TLR Flachkopfschrauben, M3 x 16mm (10)	Vis à tête fraisée M3 x 16mm (10)	Vite a testa piatta, M3 x 16mm (10)	Tornillo cónico 3 x 16mm (10)



Part #	English	Deutsch	Français	Italiano	Español
TLR5965	Flat Head Screw, M3 x 20mm (10)	TLR Flachkopfschrauben, M3 x 20mm (10)	Vis à tête fraisée M3 x 20mm (10)	Vite a testa piatta, M3 x 20mm (10)	Tornillo cónico 3 x 20mm (10)
TLR6017	Rod End, 4mm Turnbuckle (12): 22SCT	TLR Kugelpfannen hinten (12): 22SCT	Chapes rotules 4mm (12) - 22SCT	Terminale tenditore 4mm (12): 22SCT	Rótulas, tensores 4mm (12): 22SCT
TLR6023	Ball Stud, 4.8 x 10mm (4): 22	TLR Kugelkopf mit Gewinde 4.8 x 10mm (4): 22	Rotules à visser 4,8mm x10mm (4)	Perno sferico, 4.8 x 10mm (4): 22	Bola con tornillo 4.8 x 10mm (4): 22
TLR6024	Ball Stud, 4.8 x 8mm (4): 22	TLR Kugelkopf mit Gewinde, 4.8 x: 8mm (4): 22	Rotules à visser 4,8mm x 8mm (4)	Perno sferico, 4.8 x 8mm (4): 22	Bola con tornillo 4.8 x 8mm (4): 22
TLR6028	Ball Stud, Short Neck, 5mm (2)	TLR Kugelkopf mit Gewinde kurzen Hals, 5mm (2)	Rotules à visser courtes 5mm (2)	Perno sferico, Short Neck, 5mm (2)	Bola con tornillo cuello corto 5mm (2)
TLR6065	Turnbuckle, HD, 70mm (2): 22SCT	TLR Gewindestift, HD, 70mm (2): 22SCT	Biellettes renforcées 70mm (2) - 22SCT	Tenditore, HD, 70mm (2): 22SCT	Tensores 70mm (2): 22SCT
TLR6105	E-Clips, 3mm Shaft (12)	TLR E-Clipse, 3mm (12)	Clips pour arbre 3mm (12)	E-Clips, 3mm Shaft (12)	E-Clips 3mm (12)
TLR6276	Set Screw, M2.5 x 5mm, Cup Point (10)	TLR Schraubenset, M2.5 x 5mm, Cup Point (10)	Vis sans tête bout bombé M2,5x5mm (10)	Grano, M2.5 x 5mm, punta piana (10)	Tornillo allen 2.5 x 5mm (10)
TLR6288	Set Screw, M3 x 2.5mm (10)	TLR Schraubenset, M3 x 2.5mm (10)	Set Screw, M3 x 2.5mm (10)	Set Screw, M3 x 2.5mm (10)	Set Screw, M3 x 2.5mm (10)
TLR6289	Set Screw, M3 x 5mm	TLR Schraubenset, M3 x 5mm (10)	Vis sans tête M3x5mm (10)	Grano, M3 x 5mm (10)	Tornillos allen 3 x 5mm (10)
TLR6312	Locknut, M2.5 x .45 x 5mm (6)	TLR Mutter selbstsichernd M2.5 x .45 x 5mm (6)	Ecrou M2,5x0,45x5mm (6)	Dado autobloccante, M2.5 x .45 x 5mm (6)	Tuercas autobloccantes 2.5 x 0.45 x 5mm (6)
TLR6313	Locknut, M3 x .5 x 5.5mm (10)	TLR Mutter selbstsichernd M3 x .5 x 5.5mm (10)	Ecrou M3 x 0,5 x 5,5mm (10)	Dado autobloccante, M3 x .5 x 5.5mm (10)	Tuercas autobloccantes 3 x 0.5 x 5.5mm (6)
TLR6352	Washers, M3 (10)	TLR U-Scheibe, M3 (10)	Rondelles M3 (10)	Rodelle, M3 (10)	Arandelas M3 (10)
TLR6932	5x10x4mm HD Bearings (2)	TLR Kugellager 5 x 10 x 4mm (2)	Roulements renforcés 5x10x4mm (2)	5x10x4mm HD Cuscinetti (2)	Rodamientos HD 5 x 10 x 4mm (2)
TLR7002	Front/Rear Wheel, Yellow: 22T	Rad v/h, gelb: 22T	Jantes av/arr, jaunes : 22T	Cerchione ant./post., giallo: 22T	Llantas delanteras y traseras, amarilla: 22T
TLR74006	Silicone Shock oil, 30wt, 2oz	TLR Silikon Dämpferöl, 30 wt, 2 oz	Huile silicone amortisseurs 30wt, 59ml	Olio silicone per ammortizz. 30wt, 2oz	Aceite de silicona amortiguador 0wt, 59ml
TLR76004	TLR Lok, Threadlock, Blue	TLR Schraubensicherungslack Blau	Frein filet TLR Lok, bleu	TLR Lok, frenafilet, blu	Fijatornillo TLR Lok, azul
TLR77000	High-Pressure Black Grease, 8cc	TLR High-Pressure Fett Schwarz/8cc	Graisse noire haute pression, 8cc	Grasso nero alta pressione, 8cc	Grasa negra alta presión 8cc
TLR8058	Truck Body, Rear Motor: 22T	Truck Karosserie , Heckmotor: 22T	Carrosserie Truck, moteur arrière : 22T	Carrozzeria truck, motore posteriore: 22T	Carrocería Truck, motor trasero: 22T
TLR8059	Truck Body, Mid Motor: 22T	Truck Karosserie , Mittelotor: 22T	Carrosserie Truck, moteur avant : 22T	Carrozzeria truck, motore centrale: 22T	Carrocería Truck, motor central: 22T
TLR8201	Wing Washers (4): 22	Unterlegscheiben Flügel (4):22	Rondelles d'aile (4) : 22	Rondelle alettone (4): 22	Arandelas del Alerón (4): 22
TLR8202	Body Clips, Black (12): 22	TLR Karosserieklammern Schwarz (12): 22	Clips de carrosserie (12), noirs	Clips carrozzeria, neri (12): 22	Clips carrocería negros (12): 22

# OPTIONAL PARTS / DIVERSE TEILE / PIECES OPTIONNELLES / PEZZI OPZIONALI / PIEZAS OPCIONALES

Part #	English	Deutsch	Français	Italiano	Español
DYNT2010	Machined Nut Driver Set 4pc. MET	Steckschlüsselset CNC gefräst 4Stk. metrisch	Clés à écrous usinées 4 pièces, métrique	Set cacciaviti dadi lavorati, metrico (4)	Llave de tuercas mecanizada 4 piezas, métrica
DYNT2030	Machined Hex Driver Set (4) Met	Inbusschlüsselset (4) Metrisch	Clés BTR usinées 4 pièces, métrique	Set cacciaviti a brugola lavorati, metrico (4)	Llave hexagonal mecanizada 4 piezas, métrica
TLR1072	Front Pivot, Aluminum: 22	TLR Querlenkerhalter, Aluminium: 22	Cale de pincement avant en aluminium	Perno anteriore, allum.: 22	Soporte trapecios delanteros, aluminio: 22
TLR1105	Front Pivot, 30 Degree, Alum: 22T	TLR Querlenkerhalter, 30°, Aluminium: 22T	Cale de pincement avant en aluminium, 30°	Perno anteriore, 30 gradi, allum.: 22T	Soporte trapecios delanteros 30° aluminio: 22T
TLR1550	Servo Mounts, Aluminum: 22/22T	TLR Servobefestigung Aluminium, 22/22T	Supports de servo en aluminium	Supporti servo, alluminio: 22/22T	Soporte servo aluminio: 22/22T
TLR1555	Servo Horn, 23T, Aluminum: 22	TLR Servohorn/23T/Aluminium: 22	Bras de servo 23T en aluminium	Squadretta servo alluminio, 23T: 22	Brazo servo aluminio 23T: 22
TLR1556	Servo Horn, 24T, Aluminum: 22	TLR Servo Horn 24T Aluminium: 22	Bras de servo 24T en aluminium	Squadretta servo alluminio, 24T: 22	Brazo servo aluminio 24T: 22
TLR1557	Servo Horn, 25T, Aluminum: 22	TLR Servo Horn 25T Aluminium: 22	Bras de servo 25T en aluminium	Squadretta servo alluminio, 25T: 22	Brazo servo aluminio 25T: 22
TLR2059	Front Camber Block, Aluminium: 22/22T	Spurstangenhalter Aluminium:22/22T	Block de carrossage avant, aluminium : 22/22T	Blocco camber anteriore, alluminio: 22/22T	Bloque camber delantero, aluminio: 22/22T
TLR2060	Rear Camber Block, Aluminum, 22/22T	Aluminium Spurstangenhalter, 22/22T	Bloc de carrossage arrière, aluminium, 22/22T	Blocco camber posteriore, alluminio, 22/22T	Módulo camber trasero, aluminio, 22/22T
TLR232000	Complete Ball Diff, Tungsten Balls: 22/T/SCT	TLR Kugeldiff Komplett mit Tungstenkugeln: 22/T/SCT	Différentiel complet à billes tungstène	Sfere in tungsteno per differenziale: 22/T/SCT	Diferencial completo con bolas de tungsteno: 22/T/SCT
TLR232001	Diff Service Kit, Tungsten Balls: 22/T/SCT	TLR : 22/T/SCT Diff Service Kit, Wolframkugeln	Kit de réfection de différentiel, billes tungstène	Kit manutenzione diff, sfere in tungsteno: 22/T/SCT	Kit reparación diferencial con bolas de tungsteno: 22/T/SCT
TLR232009	HDS Spur Gear, 76T 48P, Kevlar: All 22	TLR HDS Zahnrad 76T 48P Kevlar: alle 22	Couronne Kevlar HDS, 76T 48P	Corona HDS, 76T 48P, Kevlar: tutte le 22	Corona HDS 76T 48P kevlar: Todos 22
TLR232010	HDS Spur Gear, 78T 48P, Kevlar: All 22	TLR HDS Stirnrad 78T 48P, Kevlar: Alle 22	Couronne Kevlar HDS , 78T 48P	HDS corona, 78T 48P, Kevlar: tutte le 22	Corona HDS 78T 48P kevlar: Todos 22
TLR232012	HDS Spur Gear, 84T 48P, Kevlar: All 22	TLR HDS Stirnrad 84T 48P, Kevlar: Alle 22	Couronne Kevlar HDS, 84T 48P,	HDS corona, 84T 48P, Kevlar: tutte le 22	Corona HDS 84T 48P, kevlar: Todos 22
TLR232013	HDS Spur Gear, 86T 48P, Kevlar: All 22	TLR HDS Zahnrad 86T 48P Kevlar: alle 22	Couronne Kevlar HDS, 86T 48P	Corona HDS, 86T 48P, Kevlar: tutte le 22	Corona HDS 86T 48P kevlar: Todos 22
TLR233010	Shock Piston 12mm 1.7x2 CNC Machined(4): All22,SCTE	TLR Stoßdämpferkolben 12mm 1.7 x2 CNC gefertigt (4) Alle 22, SCTE	Pistons d'amortisseurs usinés CNC diamètre 12mm, 1,7 x 2 trous (4)	Pistone ammortizzatore 12mm 1.7x2 fresato (4): tutte le 22,SCTE	Pistón amortiguador 12mm 1.7 x 2 mecanizado CNC (4): Todos 22, SCTE
TLR233011	Shock Piston 12mm Blank CNC Machined(4): All22,SCTE	TLR Stoßdämpferkolben 12mm CNC gefertigt (4) Alle 22, SCTE	Pistons d'amortisseurs usinés CNC diamètre 12mm, à percer (4)	Pistone ammortizzatore 12mm Blank fresato (4): tutte le 22,SCTE	Pistón amortiguador 12mm mecanizado CNC (4): Todos 22, SCTE
TLR233013	Rear Spring Set, Low Frequency (5 pair): 22/T/SCT	TLR 22/T/SCT Low Frequency Federnsatz hinten (5er)	Rear Spring Set, Low Frequency (5 pair): 22/T/SCT	Set molle posteriori, bassa frequenza (5 paia): 22/T/SCT	Muelle trasero, baja frecuencia (5 pares): 22/T/SCT
TLR234006	Caster Block Set, 0 & 5 degrees: 22/2.0/SCT	TLR Nachlaufblock Set, 0 & 5 °: 22/2.0/T/SCT	Set de ressorts arrière basse fréquence, (5 paires)	Set blocco caster, 0 & 5 gradi: 22/2.0/SCT	Bloque pivote 0 y 5°: 22/2.0/SCT
TLR234010	Anti-Squat Tuning Set, HRC: 22/2.0/T/SCT	Anti-Squat Tuning Set, HRC: 22/2.0/T/SCT	Set anti-cabrage HRC	Set messa a punto anti-squat, HRC: 22/2.0/T/SCT	Placas anti-squat HRC: 22/2.0/T/SCT
TLR2934	Rear Hex, +.75 Width, Aluminium: 22SCT	TLR Mitnehmer hinten, +.75mm, Aluminium: 22SCT	Hexagone arrière +.75mm en aluminium	Esagono posteriore, larghezza +.75mm, alluminio 22SCT	Hex trasero +.75mm aluminio: 22SCT
TLR2935	Rear Hex, +1.5mm Width, Aluminium: 22SCT	TLR Mitnehmer hinten, +1,50mm, Aluminium: 22SCT	Hexagone arrière +1,5mm en aluminium	Esagono posteriore, larghezza +1.5mm, alluminio 22SCT	Hex trasero +1.5mm aluminio: 22SCT
TLR2941	Front Hex, Aluminum: 22T	Front Hex, Aluminum: 22T	Front Hex, Aluminum: 22T	Front Hex, Aluminum: 22T	Front Hex, Aluminum: 22T
TLR2950	Hex Differential Wrench, Aluminum: 22	TLR Diff Einstellschlüssel, Aluminium: 22	Clé hexagonale pour différentiel	Chiave esagonale differenziale, alluminio 22	Llave Hex diferencial, aluminio: 22
TLR2979	Toe Plate, Aluminum, 3.5 Degree: HRC, 22	TLR Vorspurplatte, Aluminium, 3.5Grad: 22	Cale de pincement aluminium 3.5° HRC	Piastra toe, alluminio, 3,5 gradi: HRC, 22	Placa convergencia trasera 3.5° aluminio HRC: 22
TLR2980	Toe Plate, Aluminum, 4 Degree: HRC, 22	TLR Vorspurplatte, Aluminium, 4 Grad: 22	Cale de pincement aluminium 4° HRC	Piastra toe, alluminio, 4 gradi: HRC, 22	Placa convergencia trasera 4° aluminio HRC: 22
TLR2983	Toe Plate, Aluminum, 3 Degree, HRC: 22	TLR Querlenkerhalter Hinten Alum. 3 Grad HRC: 22	Cale de pincement aluminium 3° HRC	Piastra toe, alluminio, 3 gradi, HRC: 22	Placa convergencia trasera 3° aluminio HRC: 22
TLR2985	Toe Plate, Aluminum, 3.5 Degree, LRC: 22	TLR Querlenkerhalter hinten Alum. 3.5 Grad LRC: 22	Cale de pincement aluminium 3.5° LRC	Piastra toe, alluminio, 3,5 gradi, LRC: 22	Placa convergencia trasera 3.5° aluminio LRC: 22
TLR2986	Toe Plate, Aluminum, 4 Degree, LRC: 22	TLR Querlenkerhalter hinten Alum. 4 Grad LRC: 22	Cale de pincement aluminium 4° LRC	Piastra toe, alluminio, 4 gradi, LRC: 22	Placa convergencia trasera 4° aluminio LRC: 22
TLR2990	22/22T Slipper Adjustment Tool	TLR 22/22T Slipper Einstellwerkzeug	Outil de réglage du slipper	22/22T Slipper Adjustment Tool	Herramienta ajuste slipper 22/22T
TLR331007	Brass Side Pod Ballast Weights, 18g each: 22/T	Messingseitengewichte je 18g: 22/T	Masselottes d'équilibrage latérales, 18g pièce : 22/T	Pesi laterali, 18g cadauno: 22/T	Pesos de balance laterales, latón 18g cada uno: 22/T
TLR331010	Battery Strap, Rear Motor, Carbon: 22/2.0/T/SCT	Akkuhalter Heckmotor Carbon :22/2.0/T/SCT	Support de batterie en carbone, moteur arrière	Fascetta batteria, motore posteriore, carbonio: 22/2.0/T/SCT	Sujeción batería carbono, motor trasero: 22/2.0/T/SCT
TLR331011	Thumb Screw Battery Mounting, Alum: 22/2.0/T/SCT	TLR Verschlusschraube Akkuhalter Alu: 22/2.0/T/SCT	Vis moletée en aluminium du support de batterie	Vite a serraggio manuale per batteria, allum.: 22/2.0/T/SCT	Tornillo soporte batería aluminio: 22/2.0/T/SCT
TLR332009	Idler Gear, Aluminum: 22/T/SCT	Zwischenzahnrad Aluminium: 22/2.0/T/SCT	Pignon intermédiaire en aluminium : 22/T/SCT	Ingranaggio Idler, alluminio: 22/T/SCT	Piñón intermedio, en aluminio: 22/T/SCT
TLR334003	Toe Plate, Aluminum 2.5 Degree, LRC: 22	TLR Querlenkerhalter 2.5° Vorspur LRC: 22	Cale de pincement 2,5° LRC en aluminium	Piastra toe, alluminio, 2,5 gradi, LRC: 22	Placa convergencia trasera 2.5° aluminio LRC: 22



Part #	English	Deutsch	Français	Italiano	Español
TLR334014	Rear Hub Carrier, Aluminum: 22/2.0/T/SCT	Radträger hinten, Aluminium: 22/2.0/T/SCT	Fusées arrière en aluminium : 22/2.0/T/SCT	Supporto hub posteriore, alluminio: 22/2.0/T/SCT	Soporte de cubo trasero, en aluminio 22/2.0/T/SCT
TLR334015	Front Pivot, HRC, Aluminum: 22/2.0/T/SCT	TLR: Querlenkerhalter vorne HRC, Alu 22/2.0/T/SCT	Cale de pincement avant HRC en aluminium	Perno anteriore, HRC, alluminio: 22/2.0/T/SCT	Soporte trapecios delanteros aluminio HRC: 22/2.0/T/SCT
TLR334018	Brass Weight, MM Hinge Pin Brace +35g:22/2.0/T/SCT	Messinggewicht Drehstifthalter + 35g: :22/2.0/T/SCT	Cale de pincement + 35g pour moteur central : 22/2.0/T/SCT	Pesi, MM set piastrine +35g: 22/2.0/T/SCT	Ejes de suspensión + 35g para motor central: 22/2.0/T/SCT
TLR334019	Alum MM Rear Camber Tower Brass/Alum:22/2.0/T/SCT	Sturzblock Messing / Alu: 22/2.0/T/SCT	Cale de carrossage arrière en aluminium pour moteur central : 22/2.0/T/SCT	MM torretta camber posteriore ottone/alluminio:22/2.0/T/SCT	Camber trasero, latón/aluminio: 22/2.0/T/SCT
TLR334020	Front Pivot 25 deg, 50g Brass: 22/2.0/T/SCT	TLR Querlenkerhalter 25°, 50g: 22/2.0/T/SCT	Cale de chasse 25°, lest 50g	Perno anter. 25 gradi, ottone 50g: 22/2.0/T/SCT	Soporte trapecios delanteros 25°, latón 50g: 22/2.0/T/SCT
TLR336001	4mm Aluminum Serrated Lock Nuts, Blue (6)	TLR 4mm Aluminium Stopmutter mit Flansch Blau (6).	Ecrou auto-freiné épaulé M4, aluminium, bleu (6)	Dado autobloccante 4mm dentellato, blu (6)	Tuercas 4mm aluminio con bloqueo, azul (6)
TLR336002	TLR 22 Series Hardware Box, Metric: 22/T/SCT/22-4	TLR 22 Series Hardware Box, Metric: 22/T/SCT/22-4	TLR 22 Series Hardware Box, Metric: 22/T/SCT/22-4	TLR 22 Series Hardware Box, Metric: 22/T/SCT/22-4	TLR 22 Series Hardware Box, Metric: 22/T/SCT/22-4
TLR4166	Titanium Shock Mounts (4): 22	TLR Titan Dämpferbefestigung (4): 22	Fixations d'amortisseurs en titane	Supporti ammortizzatori in titanio (4): 22	Sujeción superior amortiguadores titanio (4): 22
TLR4167	Brass Weight System, Rear Motor: 22	TLR Zusatzgewichte Hinten: 22	Masses d'équilibrage pour moteur en position arrière	Sistema pesi in ottone, motore posteriore: 22	Conjunto pesos latón, motor trasero: 22
TLR5089	Bladder Set: 12mm Shocks (4): 22	TLR Ausgleichsmembran Set: 12mm Dämpfer (4): 22	Membranes d'amortisseurs 12mm (4)	Set serbatoio: ammort. 12mm (4): 22	Membrana amortiguador 12mm (4): 22
TLR5099	Shock Tool Kit, Aluminum: 12mm Shock	TLR Dämpfer Werkzeugset, Aluminium: 12mm Dämpfer	Outil en aluminium pour amortisseur 12mm	Kit attrezzi alluminio per ammort.: ammort. 12mm	Herramienta de amortiguador, aluminio 12mm
TLR5165	Rear Shock Spring, 1.6 Rate, Grey	TLR Federnpaar Hinten, 1.6 Race, Grey	Ressorts arrière, dureté 1.6 Grey	Molle ammort. posteriori, 1.6 Rate, Grey	Muelle amortiguador trasero,, 1.6 Rate, Grey
TLR5166	Rear Shock Spring, 1.8 Race, White	TLR Federnpaar Hinten, 1.8 Race, White	Ressorts arrière, dureté 1.8 White	Molle ammort. posteriori, 1.8 Race, White	Muelle amortiguador trasero, 1.8 Race, White
TLR5168	Rear Shock Spring, 2.3 Rate, Pink	TLR Federnpaar Hinten, 2.3 Race, Pink	Ressorts arrière, dureté 2.3, rose	Molle ammort. posteriori, grado 2.3 colore rosa.	Muelle amortiguador trasero, durezza 2.3, rosa
TLR5169	Rear Shock Spring, 2.6 Rate, Red	TLR Federnpaar Hinten 2.6 Rate, Red	Ressorts arrière, dureté 2.6 Red	Molle ammort. posteriori, 2.6 Rate, Red	Muelle amortiguador trasero, 2.6 Rate, Red
TLR5170	Rear Shock Spring, 2.9 Rate, Orange	TLR Federnpaar Hinten, : 2.9 Rate, Orange	Ressorts arrière, dureté 2.9, orange	Molle ammort. posteriori, grado 2.9, colore arancio.	Muelle amortiguador trasero, durezza 2.9, anaranjado
TLR5171	Rear Shock Spring, 3.4 Rate, Silver	TLR Federnpaar Hinten, 3.4 Rate, Silber	Ressorts arrière, dureté 3.4, argent	Molle ammort. posteriori, grado 3.4, colore argento.	Muelle amortiguador trasero, durezza 3.4, plata
TLR5178	Front Shock Spring, 2.3 Rate, Pink: 22T	TLR Feder Vorne 2.3 Rate, Pink: 22T	Ressorts avant, dureté 2.3, rose	Molle ammort. anteriori, grado 2.3, colore rosa.	Muelle amortiguador delantero, durezza 2.3, rosa: 22T
TLR5179	Front Shock Spring, 2.5 Rate, Red: 22T	TLR Feder Vorne 2.3 Rate, Pink: 22T	Ressorts avant, dureté 2.5, rouge	Molle ammort. anteriori, grado 2.5, colore rosso.	Muelle amortiguador delantero, durezza 2.5, rojo: 22T
TLR5180	Front Shock Spring, 2.9 Rate, Orange: 22T	TLR Feder Vorne 2.9 Rate, Orange: 22T	Ressorts avant, dureté 2.9, orange	Molle ammort. anteriori, grado 2.9, colore arancio.	Muelle amortiguador delantero, durezza 2.9, anaranjado: 22T
TLR5181	Front Shock Spring, 3.2 Rate, Silver: 22T	TLR Feder Vorne 3.2 Rate, Silber: 22T	Ressorts avant, dureté 3.2, argent	Molle ammort. anteriori, grado 3.2, colore argento.	Muelle amortiguador delantero, durezza 3.2, plata: 22T
TLR5182	Front Shock Spring, 3.5 Rate, Green: 22T	TLR Feder Vorne 3.5 Rate, Grün: 22T	Ressorts avant, dureté 3.5, vert	Molle ammort. anteriori, grado 3.5, colore verde.	Muelle amortiguador delantero, durezza 3.5, verde: 22T
TLR5184	Front Shock Spring, 4.1 Rate, Black: 22T	TLR Federnsatz Vorn 4.1 Schwarz: 22T	Ressorts avant, dureté 4.1, noir	Molle ammort. anteriori, grado 4.1, colore nero.	Muelle amortiguador delantero, durezza 4.1, negro: 22T
TLR6019	Ballstud/Hub Spacer Set, Aluminum: 22	Kugelgelenkbolzen-/Nabenabstandhaltersatz, Aluminium, 22	Jeu de goujons à rotule/ronnelles de fusée aluminium, 22	Perno della sfera / Set distanziatore mozzo, alluminio, 22	Bolas/Espaciadores, Aluminio, 22
TLR6030	Titanium Ball Stud, 4.8 x 6mm (2)	TLR Titan Kugelköpfe, 4.8 x 6mm (2)	Rotule en titane, 4,8 x 6mm (2)	Perno sferico, titanio, 4,8 x 6mm (2)	Bola con tornillo 4.8 x 6mm (2)
TLR6031	Titanium Ball Stud, 4.8 x 8mm (2)	TLR Titan Kugelköpfe, 4.8 x 8mm (2)	Rotule en titane, 4,8 x 8mm (2)	Perno sferico, titanio, 4.8 x 8mm (2)	Bola con tornillo 4.8 x 8mm (2)
TLR6032	Titanium Ball Stud, 4.8 x 10mm (2)	TLR Titan Kugelköpfe, 4.8 x 10mm (2)	Rotule en titane, 4,8x10mm (2)	Perno sferico, titanio, 4.8 x 10mm (2)	Bola con tornillo 4.8 x 10mm (2)
TLR7003	Front/Rear Wheel, White: 22T	Rad v/h Weiss:22T	Jantes av/arr, blanches : 22T	Cerchione ant./post, bianco: 22T	Llantas delanteras y traseras, blancas: 22T
TLR72000	Ball Cup Wrench, 4.8mm: 22/T/SCT	TLR Kugelkopf Inbus 4.8mm 22/T/SCT	Clé pour rotules 4.8mm	Chiave per attacco a sfera, 4.8mm: 22/T/SCT	Llave rótulas 4.8mm: 22/T/SCT
TLR74004	Silicone Shock oil, 25wt, 2oz	Silikonstoßdämpferöl, 25wt, 2 oz	Huile silicone d'amortisseur, 25wt, 60 ml	Olio silicone ammortizzatori, 25wt, 2oz	Aceite amortiguador silicona 25wt, 2oz
TLR74005	Silicone Shock oil, 27.5wt, 2oz	Silikonstoßdämpferöl, 27,5wt, 2 oz	Huile silicone d'amortisseur, 27,5wt, 60 ml	Olio silicone ammortizzatori, 27.5wt, 2oz	Aceite amortiguador silicona 27.5wt, 2oz
TLR74007	Silicone Shock oil, 32.5wt, 2oz	Silikonstoßdämpferöl, 32.5wt, 2 oz	Huile silicone d'amortisseur, 32.5wt, 60 ml	Olio silicone ammortizzatori, 32.5wt, 2oz	Aceite amortiguador silicona 32.5wt, 2oz
TLR74008	Silicone Shock oil, 35wt, 2oz	Silikonstoßdämpferöl, 35wt, 2 oz	Huile silicone d'amortisseur, 35wt, 60 ml	Olio silicone ammortizzatori, 35wt, 2oz	Aceite amortiguador silicona 35wt, 2oz
TLR74019	Shock Oil 6Pk, 17.5,22.5,27.,32.5,37.5,42.5 2oz	Stoßdämpferöl 6 Set, 17.5, 22.5, 27.5, 32.5, 37.5, 42.5, 2oz	Assortiment de 6 flacons d'huile silicone d'amortisseur 17.5, 22.5, 27.5, 32.5, 37.5, 42.5 en 60ml	Olio ammortizzatori 6Pk, 17.5, 22.5, 27.5, 32.5, 37.5, 42.5 2oz	Pack aceite amortiguador silicona 17.5, 22.5, 27.5, 32.5, 37.5, 42.5wt, 2oz
TLR74020	Shock Oil 6Pk, 20,25,30,35,40,45, 2oz	Stoßdämpferöl 6 Set 6Pk, 20, 25, 30, 35, 40, 45, 2oz	Assortiment de 6 flacons d'huile silicone d'amortisseur 20, 25, 30, 35, 40, 45 en 60ml	Olio ammortizzatori 6Pk, 20, 25, 30, 35, 40, 45, 2oz	Pack aceite amortiguador silicona 20, 25, 30, 35, 40, 45wt 2oz
TLR76000	Tire Glue, Standard	TLR Reifenkleber Standard	Colle à pneus standard	Colla per gomme, standard	Pegamento de neumáticos estándar

Part #	English	Deutsch	Français	Italiano	Español
TLR77002	Shock O-Ring Grease, 8cc	TLR Fett 8cc O-Ring	Graisse pour joints toriques d'amortisseurs, 8cc	Grasso o-ring ammort, 8cc	Grasa para junta tórica amortiguador, 8cc
TLR8120	Rear Spoiler, Clear (2): 22T/RTR	Heckflügel transparent (2):22T/RTR	Aileron transparent (2) : 22T/RTR	Alettone posteriore, trasparente (2): 22T/RTR	Alerón trasero, transparente (2): 22T/RTR
TLR8300	TLR Sticker Sheet	TLR Dekorbogen	Planches de décoration TLR	Foglio adesivi TLR	Hojas de decoración TLR
TLR99004	TLR Embroidered Cargo Bag	TLR Tasche	Sac de transport TLR	Borsa ricamata TLR	Bolsa de transporte TLR
TLR99014	TLR Foam Pit Mat	TLR Schrauberplatte Schaum	Tapis de stand en mousse TLR	Stuoia gommapiuma TLR	Base de trabajo foam TLR
TLR99101	Shock Shaft Pliers	TLR Zange für Dämpferkolbenstange	Pince à tige d'amortisseur	Pinze albero ammortizzatore	Alicates para vástagos amortiguador
TLR99102	Turnbuckle Wrench, 22, 8ight, XXX	TLR Stellschlüssel für Gewindestift, 3.5, 4, 5mm	Clé à biellettes 3.5mm, 4mm, 5mm	Chiave per tenditore, 22, 8ight, XXX	Llave tirantes: 22, 8ight, XXX