

Name: Kit Setup		Date:	Event:
City:		State:	
Track Conditions:		Track:	
<input type="checkbox"/> Indoor <input type="checkbox"/> Tight <input type="checkbox"/> Smooth <input type="checkbox"/> Hard Packed <input type="checkbox"/> Blue Groove <input type="checkbox"/> Wet <input type="checkbox"/> Grass <input type="checkbox"/> Low Bite <input type="checkbox"/> High Bite <input type="checkbox"/> Outdoor <input type="checkbox"/> Open <input type="checkbox"/> Rough <input type="checkbox"/> Loose/Loamy <input type="checkbox"/> Dry <input type="checkbox"/> Dusty <input type="checkbox"/> Astro Turf <input type="checkbox"/> Med Bite <input type="checkbox"/> Other _____			

Front Suspension

Toe: +/- 0 degrees

Ride Height: 30.5mm

Camber: -1degree

Caster: 0° 5°

Kick Angle: 20° 25° 30°

Oil: 30 wt. TLR

Piston: 2 x 1.5mm (TLR233008)

Spring: Standard Low Freq. Color: Blue (TLR5183)

Front Pivot: Aluminum Plastic HRC

Kick Shim: Brass Plastic

Shock Limiters: 0mm Stroke: _____

Shock Location: 1 - Outside

Steering Type: Slide Rack Bell Cranks

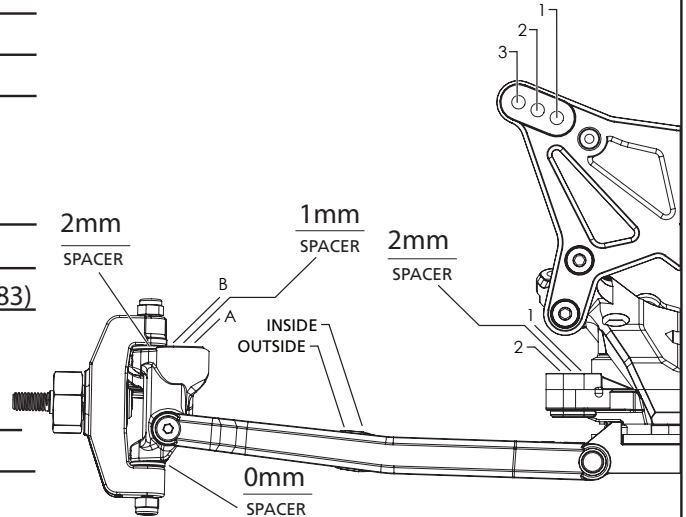
Spindle Ball Stud: Standard Low Mount

Bumper Steer Spacers: 1mm

Ackermann Ball Stud: Standard Low Mount

Ackermann Spacers: 1mm

Camber Link: 1 - A



Notes: _____

Rear Suspension

Chassis Configuration: Rear Motor Mid Motor

Toe: 3.0 LRC

Anti-Squat: 1 Degree

Roll Center: Low Roll Center (LRC) High Roll Center (HRC)

Ride Height: 29mm

Camber: -1.5 Degree

Rear Hub Spacing: Middle (2mm Front, 2mm Rear)

Hex Width: 22SCT Std.

Oil: 30 wt. TLR

Piston: 2 x 1.6mm (TLR233009)

Spring: Standard Low Freq. Color: Yellow (TLR5167)

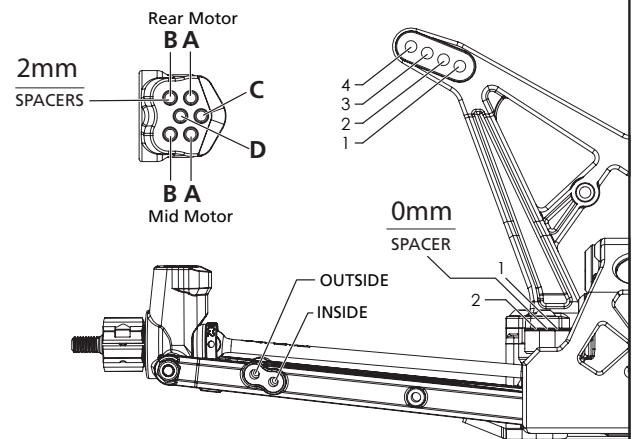
Shock Limiters: 2mm Stroke: _____

Camber Link: 1-B

Shock Locations: 2 - Inside

Body/Spoiler: 22T Body, Stock Spoiler

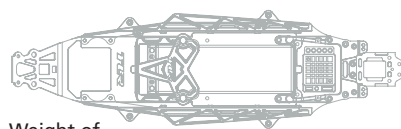
Battery Position: _____



Electronics

Radio: _____	Timing Advance: _____
Servo: _____	Throttle/Brake Expo: _____
ESC: _____	Servo Expo: _____
Initial Brake: _____	Throttle/Brake EPA: _____
Drag Brake: _____	Motor: _____
Throttle Profile: _____	Pinion: _____ Spur: _____
	Battery: _____

Weight Placement
(Mark with "X")



Weight of each piece _____ oz./g

Tires	Tread	Compound	Insert	Additive
Front: _____	_____	_____	_____	_____
Rear: _____	_____	_____	_____	_____
Notes: _____	_____			