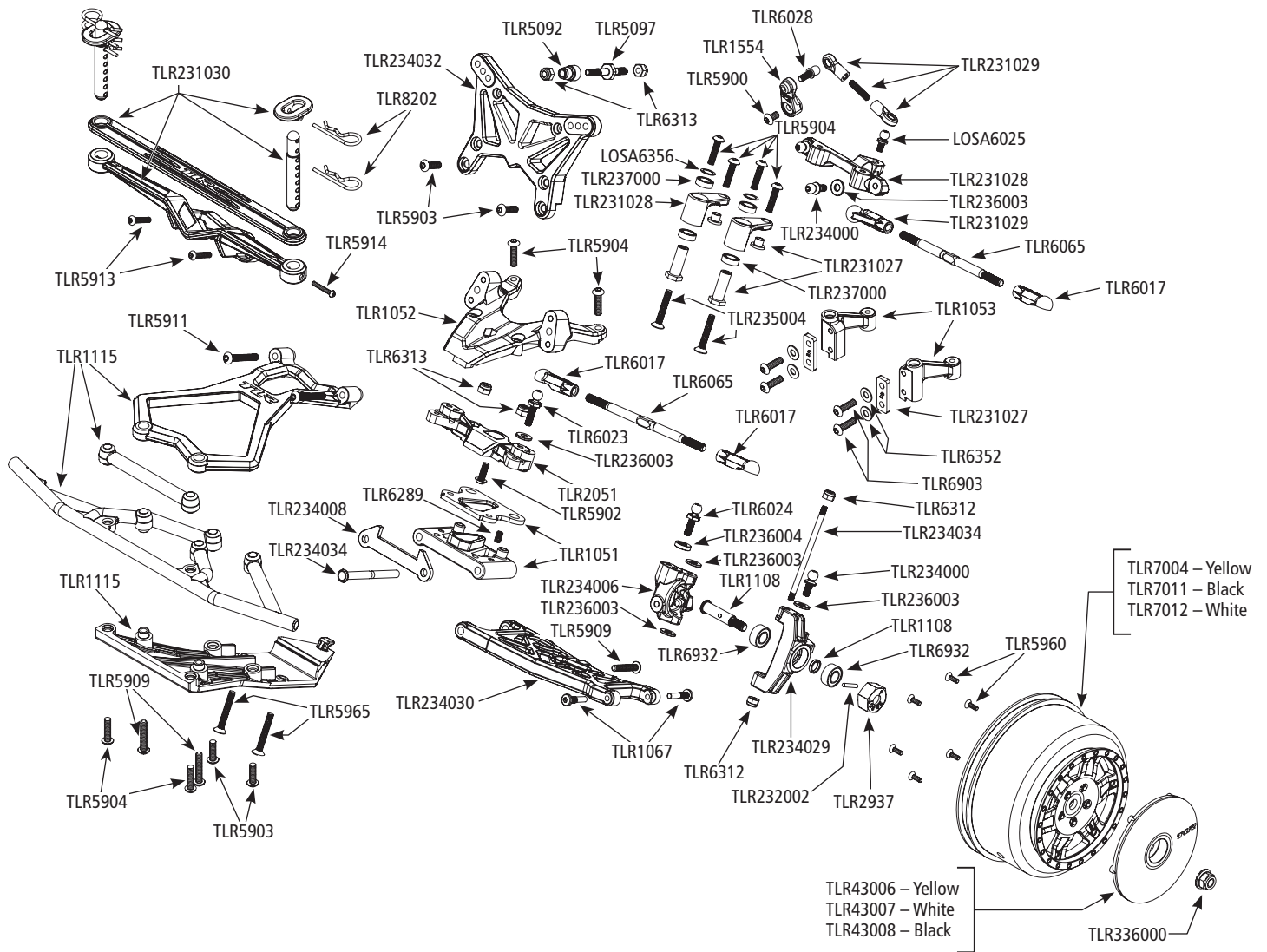


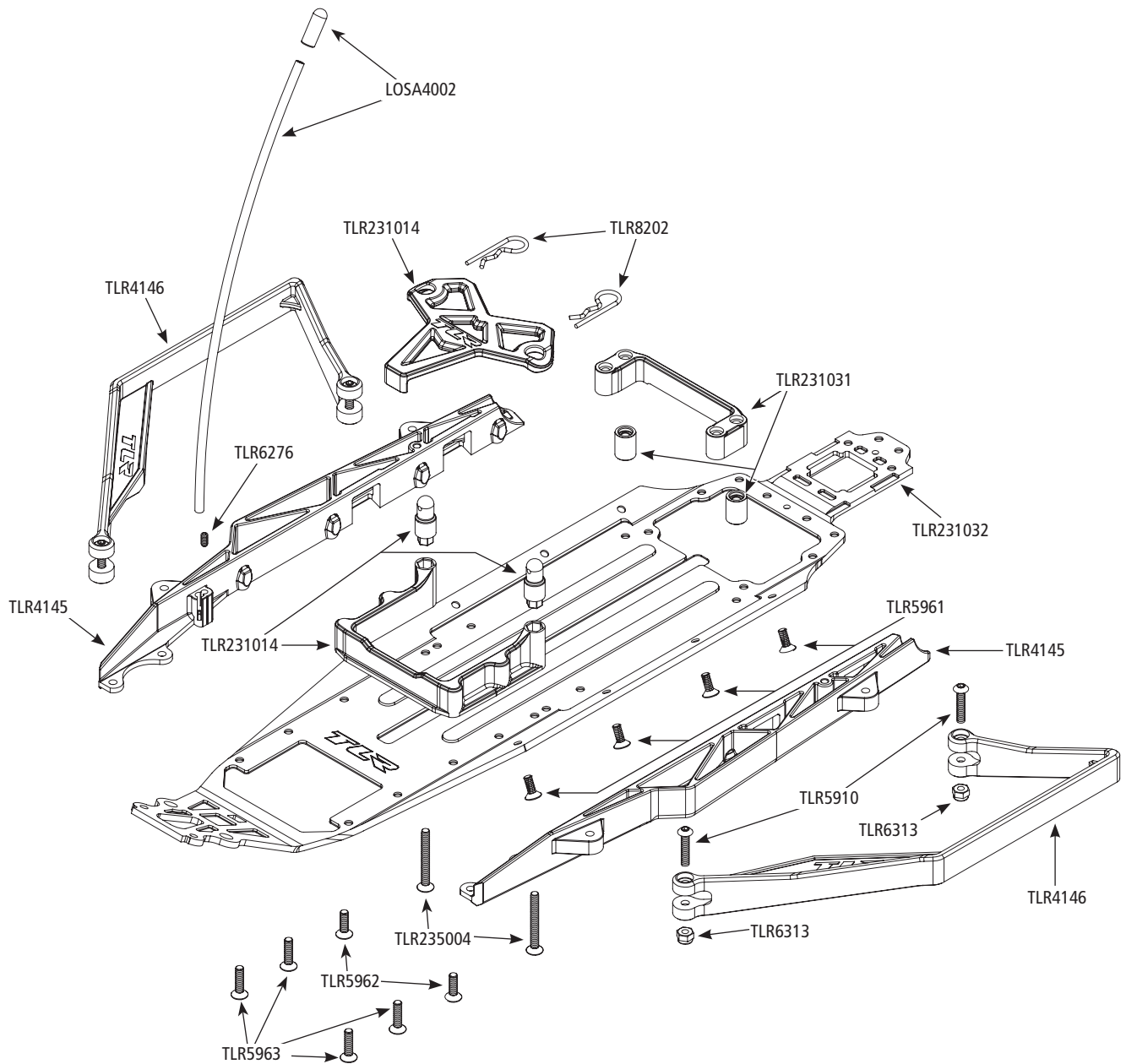
REPLACEMENT PARTS /  
ERSATZTEILE /  
PIÈCES DE RECHANGE /  
PEZZI DI RICAMBIO /  
PIEZAS DE RECAMBIO



TLR03003

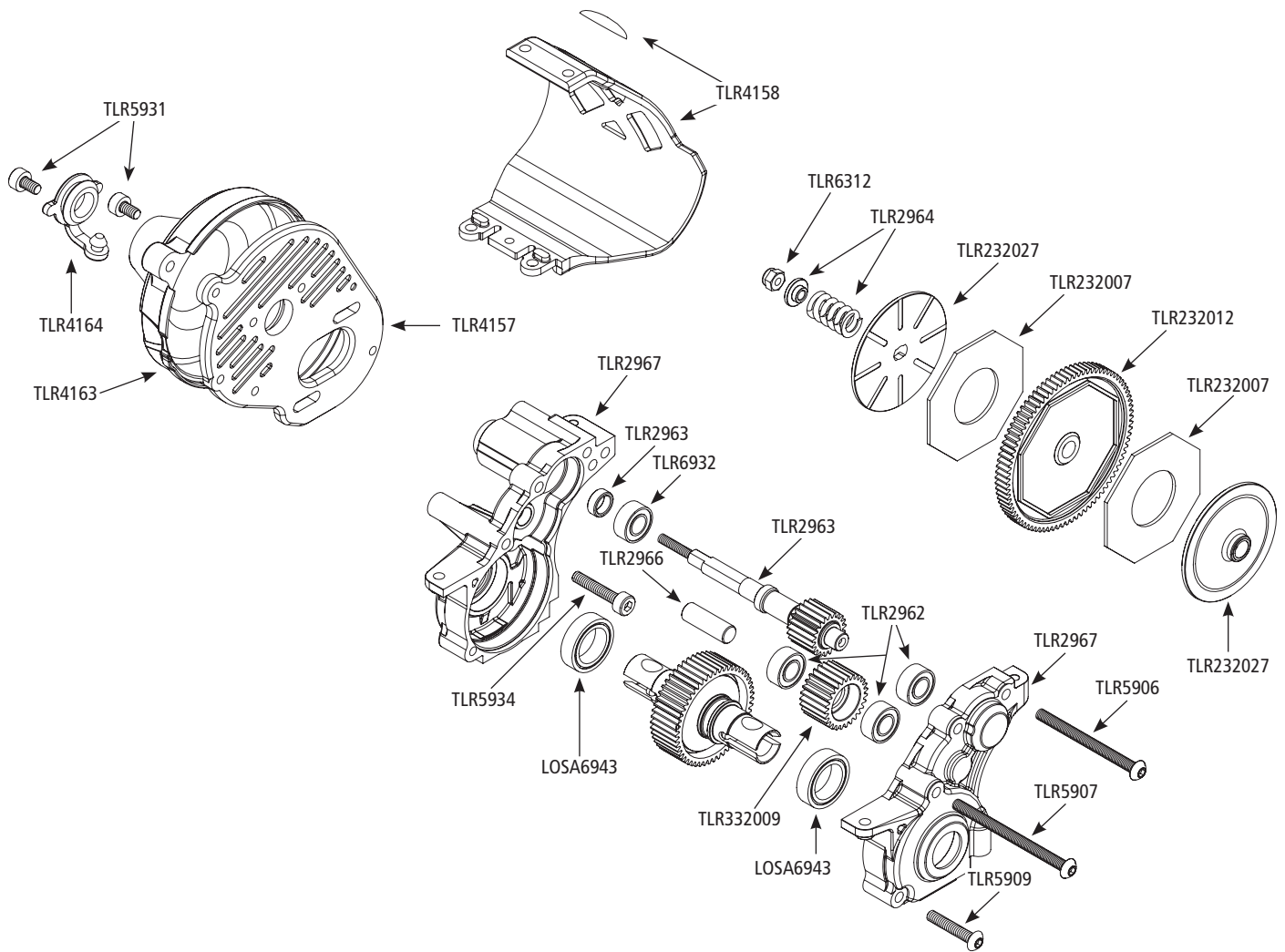


Part #	English	Deutsch	Français	Italiano	Español
LOSA4002	Antenna Kit	Losi Antennen Kit	Tube d'antenne	Kit antenna	Kit de antena
LOSA6025	Ball Studs & Ends, HD, 4-40x.215"	Losi Kugelpfannen u.Kugelköpfe HD 4-40 x .215	Rotules renforcées 4-40x.215	Prigionieri e terminali sfera, HD, 4-40x.215"	Juntas reforzadas 4-40x.215
LOSA6201	3mm x 6mm Socket Head Screw	Losi Inbuschraube 3mm x 6mm	Vis CHC M3x6mm (10)	3mm x 6mm Vite a brugola	Tornillos con cabeza tipo Allen 3x6mm
LOSA6306	4-40 Aluminum Mini-Nuts (10)	Losi 4-40 Aluminium Mini-Muttern (10)	Mini écrous 4-40 (10)	4-40 Mini dadi alluminio (10)	Mini-tuercas aluminio 4-40 (10)
LOSA6356	Shim Set, Metric 5mm/6mm	Unterlegscheiben Set Metrisch 5mm/6mm	Set de cales 5mm/6mm	Set spessori, metrici 5mm/6mm	Set de cuñas 5mm/6mm
LOSA6943	10 x 15mm Sealed Ball Bearing (2): 22	Losi 10 X 15mm Kugellager gekapselt (2): 22	Roulements étanches 10x15mm (2)	10 x 15mm Cuscinetti stagni (2): 22	Rodamiento sellado 10x15mm (2): 22
LOSA6955	5 x 13mm HD Clutch Bearings (2): 8B/8T	Losi 5 x 13mm HD Kupplungslager (2):8B/8T	Roulements renforcés 5x13mm	5 x 13mm HD Cuscinetti frizione (2): 8B/8T	Rodamientos campana HD 5x13mm (2): 8B/8T

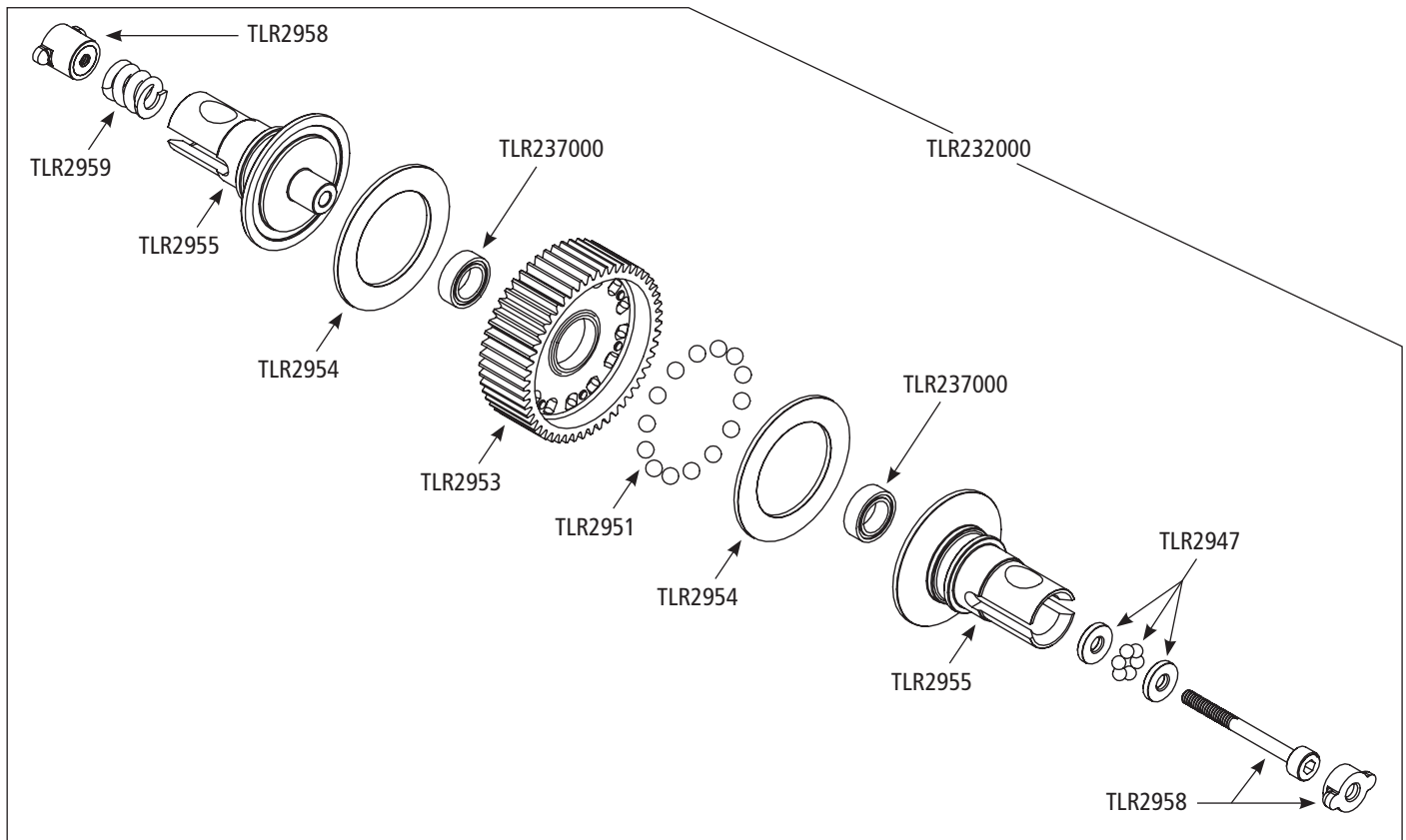


Part #	English	Deutsch	Français	Italiano	Español
TLR1051	Front Pivot & Kick Shims: 22	TLR Querlenkerhalter inkl Distanzstücke: 22	Cale de pincement avant et cales de chasse - 22	Perni anteriori & spessori: 22	Soporte delantero trapecios: 22
TLR1052	Front Bulkhead: 22	TLR Dämpferbrücke vorne: 22	Cellule avant	Paratia anteriore: 22	Caja delantera: 22
TLR1053	Front Servo Mount/Chassis Brace: 22	TLR Servohalter / Chassisstrebe: 22	Support de servo/renfort de châssis avant	Supporto servo anteriore/ telaio: 22	Soporte de servo/Chasis delantero: 22
TLR1067	King Pin Screw (8): 22	TLR King Pin (8): 22	Vis/axe d'étrier porte fusée (8)	Vite perno (8): 22	Tornillo King Pin (8): 22
TLR1108	Front Axles (2): 22SCT	TLR Radachse vorne (2): 22SCT	Axes de roues avant (2) - 22SCT	Assi anteriori: 22SCT	Ejes de ruedas delanteras (2): 22SCT
TLR1115	Front Bumper Set: 22SCT	TLR Stoßfänger Set: 22SCT	Pare choc avant	Set paraurti anteriore: 22SCT	Parachoques delantero: 22SCT
TLR1554	Servo Horn Set, Steering: 22	TLR Servohorn Set: Lenkung: 22	Bras de servo	Set squadrette servo, sterzo: 22	Brazos servo dirección: 22
TLR2051	Front & Rear Camber Block Kit: 22	TLR Nachlaufblock v/h: 22	cales de carrossage avant et arrière 22	Blocco camber anteriore e posteriore Kit: 22	Bloque de camber delanteros y traseros: 22
TLR2060	Rear Camber Block, Rear Motor, Aluminum: 22/T	TLR Aufhängungshalter Mittelmotor Alu: 22	Support de biellette de carrossage arrière en aluminium, pour moteur arrière	Blocco camber posteriore, motore posteriore, alluminio: 22/T	Tabica camber trasero aluminio, motor trasero: 22
TLR2101	Shock Tower, Rear Motor: 22T	TLR Dämpferbrücke Hinten, Heckmotor: 22T	Support d'amortisseur arr / Moteur arrière - 22T	Torre ammortizzatore, motore posteriore: 22T	Soporte del amortiguator/ Motor trasero: 22T
TLR230005	22SCT 2.0 Body Set, with Stickers	TLR 22SCT 2.0: Karosserieset mit Aufkleber	Carrosserie 22 SCT 2.0 avec décoration	22SCT 2.0Set carrozzeria con adesivi	Carrocería 22 SCT 2.0 con decoración
TLR231014	Battery Mounts Mid/Rear: 22/2.0/T/SCT	TLR Akkuhalter Mitte/hinten; 22SCT 2.0	Supports de batterie milieu/ arrière - 22/2.0/T/SCT	Supporti batteria, centrale/posteriore: 22/2.0/T/SCT	Soportes de batería central/trasero - 22/2.0/T/SCT
TLR231027	Bell Crank Steering System w/ HDWR: 22/2.0/T/SCT	TLR Lenkung mit Lenkhebel m. HDWR: 22SCT 2.0	Système de direction à pivots - 22/2.0/T/SCT	Rinvio angolare sistema sterzo c/HDWR 22/2.0/T/SCT	Sistema de dirección a pivotes: 22/2.0/T/SCT

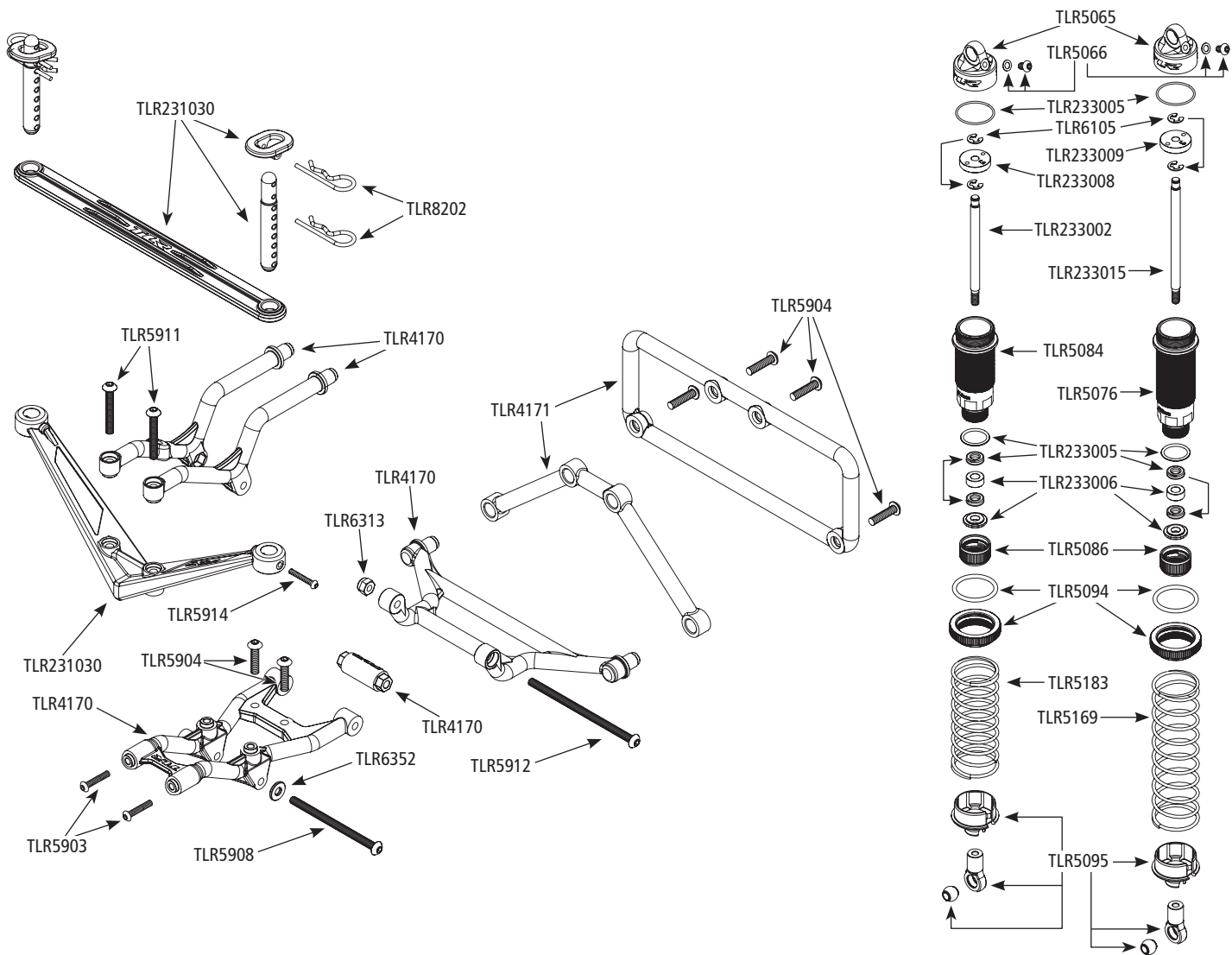




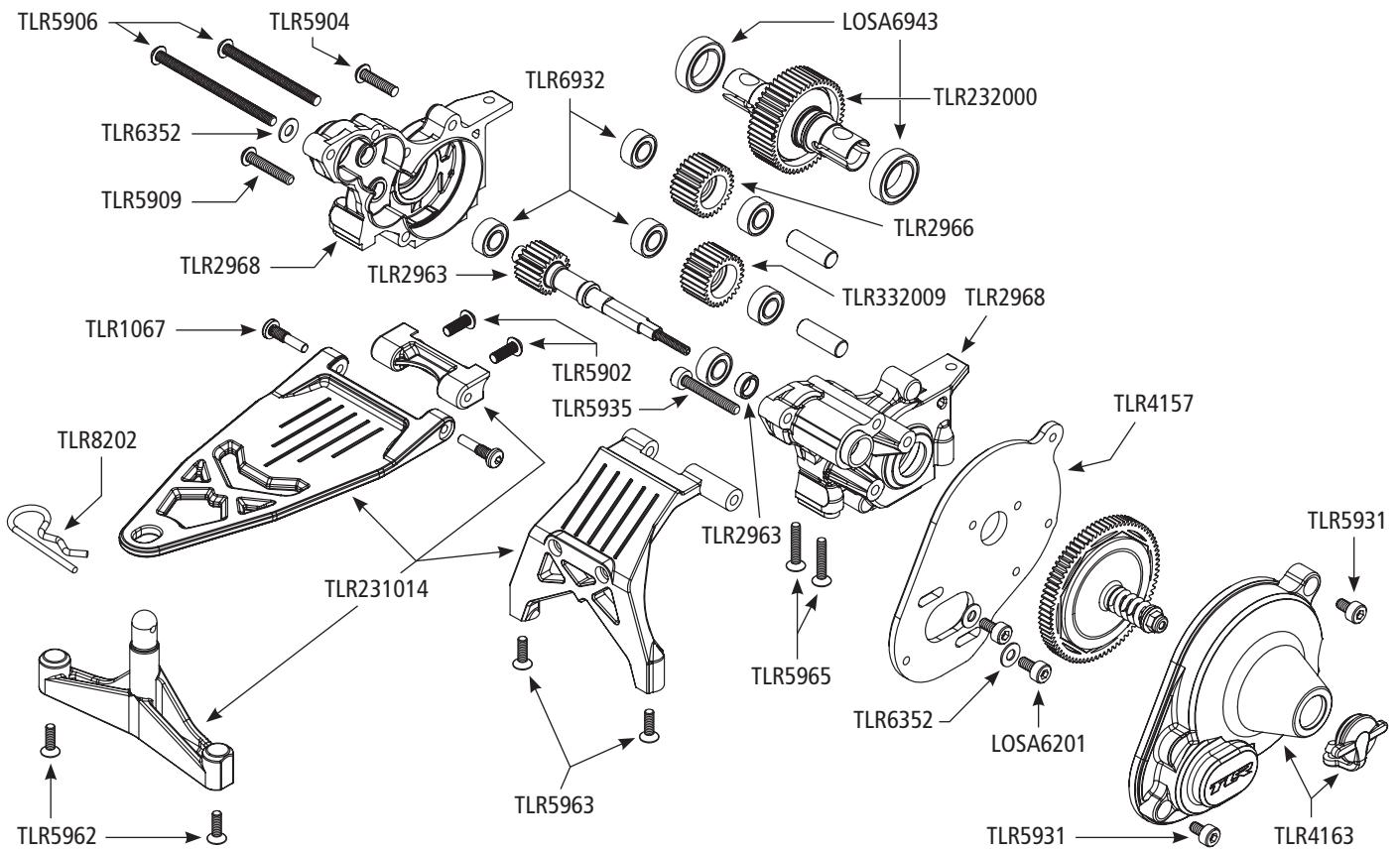
Part #	English	Deutsch	Français	Italiano	Español
TLR234000	Ball Stud, Low Mount, 4.8 x 6mm (4): 22/2.0/T/SCT	TLR Kugelkopf für untere Montage (4)	Support inférieur, rotules 4,8 x 6mm (4)	Prigioniero sfera, montaggio basso, 4.8 x 6mm (4): 22/T/SCT	Bola con tornillo corta, 4.8x6mm (4): 22/T/SCT
TLR234006	Caster Block Set, 0 & 5 degrees: 22/2.0/T/SCT	TLR C-Hub 0 + 5° 22/2.0/T/SCT	Etriers avant 0 et 5°	Set blocco caster, 0 & 5 gradi: 22/2.0/T/SCT	Portamanguetas 0° y 5°: 22/2.0/T/SCT
TLR234008	Front/Rear Hinge Pin Brace: 22/2.0/T/SCT	TLR: Querlenkerhalter v/h 22/2.0/T/SCT	Renfort de cellule av/arr	Supporto perno cerniera anteriore/posteriore: 22/2.0/T/SCT	Soporte pasadores trapecios del/tras.: 22/2.0/T/SCT
TLR234009	Anti-Squat Tuning Set, LRC: 22/2.0/T/SCT	TLR: Anti-Squat Tuning Set, LRC: 22/2.0/T/SCT	Set anti cabrage centre de roulis bas	Set messa a punto anti-squat, LRC: 22/2.0/T/SCT	Juego placas anti-squat LRC: 22/2.0/T/SCT
TLR234011	Suspension Pivot Ball, Molded: All 22	TLR Querlenkerhalter Kugelköpfe alle 22	Boules de pivots de suspensions	Sfera perno sospensione, stampata: All 22	Bolas pasadores trapecios: Todos 22
TLR234029	Front Spindle Set for Bell Cranks: 22/2.0/SCT	TLR Achsschenkel für Lenkhebel: 22/2.0/T/SCT	Set de fusées avant pour direction à renvois	Set portafuselli anteriori per squadrette sterzo: 22/2.0/SCT	Ejes delanteros de pivotes
TLR234030	Front Arm Set: 22SCT 2.0	TLR Querlenker vorne: 22SCT/2.0	Set de triangles avant - 22SCT 2.0	Set braccio anteriore: 22SCT 2.0	Set brazo delantero: 22SCT 2.0
TLR234031	Rear Arm Set: 22SCT 2.0	TLR Querlenker hinten: 22SCT/2.0	Set de triangles arrière - 22SCT 2.0	Set braccio posteriore: 22SCT 2.0	Set brazo trasero: 22SCT 2.0
TLR234032	Front Shock Tower: 22SCT 2.0	TLR Dämpferbrücke vorne: 22SCT/2.0	Support d'amortisseurs avant - 22SCT 2.0	Torre ammortizzatore anteriore: 22SCT 2.0	Soporte amortiguador delantero
TLR234033	Rear Hub Carrier (2): 22SCT 2.0	TLR Radträger hinten: 22SCT/2.0	Fusées arrières (2) - 22SCT 2.0	Trascinatore mozzo posteriore: 22SCT 2.0	Soporte de cubo trasero (2): 22SCT 2.0
TLR234034	Front Hinge/King Pin Set: 22/2.0/T/SCT	TLR: Hinge Pin vorne Set (4): 22SCT/2.0	Set d'axes de suspension et de direction - 22/2.0/T/SCT	Set cerniera/perno anteriore: 22/2.0/T/SCT	Ejes de suspensión y de dirección delanteros: 22/2.0/T/SCT
TLR234035	Rear Hinge Pin Set: 22/2.0/T/SCT	TLR: Hinge Pin hinten Set (4): 22SCT/2.0	Axes de suspension arrière - 22/2.0/T/SCT	Set perno cerniera posteriore: 22/2.0/T/SCT	Ejes de suspensión y de dirección traseros: 22/2.0/T/SCT
TLR234038	Turnbuckle, HD, 75mm (2): 22SCT 2.0	TLR: Gewindestift HD 75mm (2): 22SCT/2.0	Biellettes renforcées 75mm (2) - SCT 2.0	Tenditore, HD, 75mm (2): 22SCT 2.0	Tensores 75mm (2): SCT 2.0



Part #	English	Deutsch	Français	Italiano	Español
TLR235004	Flat Head Screws, M3 x 25mm (10)	TLR: Flachkopfschrauben, M3 x 25mm (10)	Vis à tête fraisée M3x25mm (10)	Viti a testa piatta M3 x 25mm (10)	Tornillo cónico 3 x 25mm (10)
TLR235005	Flat Head Screws, M3 x 18mm (10)	TLR: Flachkopfschrauben, M3 x 18mm (10)	Vis à tête fraisée M3x18mm (10)	Viti a testa piatta M3 x 18mm (10)	Tornillo cónico 3 x 18mm (10)
TLR235006	Button Head Screws, M2.5 x 8mm (10)	TLR Halbrundschaube, M 2.5 x 8mm (10)	Vis à tête bombée M2.5x8mm (10)	Viti a testa tonda, M2.5 x 8mm (10)	Tornillo botón 2.5 x 8mm (10)
TLR236003	Ballstud / Hub Spacers, M3 x 1mm (14)	TLR Kugelköpfe M3 x 1.0mm (14)	Entretoises M3x1mm (14)	Perno sfera / Distanziali mozzo, M3 x 1mm (14)	Espaciadores M3x1mm (14)
TLR236004	Ballstud / Hub Spacers, M3 x 2mm (14)	TLR Kugelköpfe M3 x 2.0mm (14)	Entretoises M3x2mm (14)	Perno sfera / Distanziali mozzo, M3 x 2mm (14)	Espaciadores 3 x 2mm (14)
TLR237000	5x8x2.5mm Bearings (2)	TLR 5 x8x2.5mm Lager (2)	Roulements 5 x 8 x 2.5mm	5 x 8 x 2.5mm cuscinetti (2)	Rodamientos 5x8x2.5mm (2)
TLR2934	Rear Hex, +.75mm Width, Aluminum: 22SCT	TLR Mitnehmer Hinten, +0,75mm, Aluminium: 22SCT	Hexagone de roue arrière +.75mm en aluminium - 22SCT	Esagono posteriore, largo +.75mm, alluminio: 22SCT	Rueda Hex trasera +.75mm aluminio: 22SCT
TLR2937	Fr/R Wheel Hex: 22SCT	TLR Radmitnehmer Vorne/ Hinten: 22SCT	Hexagones de roues av et arr - 22SCT	Esagono ruota ant/post: 22SCT	Rueda Hex del/tras - 22SCT
TLR2947	Tungsten Carbide Diff Balls, 2mm (6)	TLR Tungsten Carbide Kugeln, 2mm (6)	Billes de différentiel en carbure de tungstène, 2mm (6)	Sfere diff. al carburo di tungsteno, 2mm (6)	Bolas axial carburo de tungsteno 2mm (6)
TLR2951	Tungsten Carbide Diff Balls, 3/32mm (14) 22/T/SCT	TLR Tungsten Carbide Kugel 3/32 (14)	Bille de différentiel en carbure de tungstène, 3/32 (14)	Sfere diff. al carburo di tungsteno, 3/32mm (14) 22/T/SCT	Bolas diferencial carburo de tungsteno 3/32" (14) 22/T/SCT
TLR2952	Silicone Diff Grease, 8cc: 22	TLR Differentialfett/8cc: 22	Graisse silicone pour diff, 8cc	Grasso silicone diff., 8cc: 22	Grasa silicona diferencial, 8cc: 22
TLR2953	Diff Gear, 51T: 22	TLR Diff-Zahnrad 51Z: 22	Couronne de diff 51T	Ingranaggio differenziale, 51T: 22	Corona diferencial 51T: 22
TLR2954	Drive Rings (2): 22	TLR Gleitringe Diff: 22	Plateau de différentiel (2)	Anelli trasmissione (2): 22	Pistas diferencial (2): 22
TLR2955	Outdrive Set: 22	TLR Antriebsklauen Set: 22	Noix de sortie de diff	Set trascinatore: 22	Vasos diferencial: 22
TLR2958	Diff Through Screw & Nut: 22	TLR Spannschraube mit Mutter: 22	Vis et écrou de serrage du diff	Viti passanti diff. & dadi: 22	Tornillo diferencial y tuerca: 22
TLR2959	Diff Spring: 22	TLR Druckfeder Diff: 22	Ressort de diff	Molla diff.: 22	Muelle diferencial: 22
TLR2963	Layshaft & Spacer: 22	TLR Hauptwelle mit Distanzring: 22	Arbre de slipper avec entretoise	Albero secondario & distanziale: 22	Eje transmisión y espaciador: 22
TLR2964	Slipper Spring: 22	TLR Slipper Feder: 22	Ressort de slipper	Molla antisaltellamento: 22	Muelle slipper: 22
TLR2966	Idler Gear & Shaft (2): 22	TLR Zwischenrad mit Steckachse: 22	Pignon intermédiaire avec axe	Ingranaggio tenditore & albero (2): 22	Piñón intermedio y eje (2): 22
TLR2967	Gear Case, Rear Motor: 22	TLR Getriebegehäuse, Heckmotor: 22	Carter de transmission, moteur arrière	Scatola ingranaggi, motore posteriore: 22	Caja transmisión, motor trasero: 22



Part #	English	Deutsch	Français	Italiano	Español
TLR2972	Driveshaft Rebuild Kit: All 22	Antriebswellen Rebuild Kit: All 22	Arbre de transmission Rebuild Kit: All 22	Driveshaft Rebuild Kit: All 22	Kit para reconstruir el árbol transmisión: Todos 22
TLR2984	Toe Plate, Aluminum, 3 Degree, LRC: 22	TLR Querlenkerhalter Hinten Alum. 3 Grad LRC: 22	Cale de pincement en aluminium, 3°, LRC	Piastra alluminio, 3 gradi, LRC: 22	Placa convergencia trasera 3° aluminio LRC: 22
TLR332009	Idler Gear, Aluminum: 22/T/SCT	TLR Idler Gear Aluminium: 22/T/SCT	Pignon intermédiaire en aluminium - 22/T/SCT	Tenditore cambio, alluminio: 22/T/SCT	Piñón intermedio, aluminio: 22/T/SCT
TLR336000	4mm Aluminum Serrated Lock Nuts, Black (6)	TLR 4mm Aluminium Stopmutter mit Flansch, schwarz 6St.	Ecrous de roues striés M4, noirs (6)	Dadi 4mm dentellati per blocco, neri (6)	Tuerca del bloqueo arandela M4, negro (6)
TLR4145	Mud Guard Set: 22SCT	TLR Spritzschutz Set: 22SCT	Set de bavettes - 22SCT	Set parafango: 22SCT	Guardabarros: 22SCT
TLR4146	Sideguards: 22SCT	TLR Seitenschutz: 22SCT	Protections latérales - 22SCT	Protezioni laterali: 22SCT	protección laterales: 22 SCT
TLR4156	Chassis Foam Set: 22	TLR Polsterstreifen für Chassis: 22	Set de mousse de châssis	Set spugna telaio: 22	Set foam chasis: 22
TLR4157	Motor Plate: 22	TLR Motorplatte: 22	Support moteur	Piastra motore: 22	Placa motor: 22
TLR4158	Motor Guard & Rear Bumper: 22	TLR Motorschutz und Stoßfänger: 22	Protection de moteur et pare-choc arr	Protezione motore & paraurti posteriore: 22	Protector motor y parachoques trasero: 22
TLR4163	Gear Cover & Plug: 22	TLR Getriebeabdeckung und Stopfen: 22	Couvercle de transmission avec capuchon	Coperchio ingranaggio & tappo: 22	Protector corona y tapón: 22
TLR4170	Rear Bumper Set, Rear Motor: 22SCT	TLR Stoßfängerset hinten, Heckmotor: 22SCT	Pare choc arrière pour moteur arrière - 22SCT	Set paraurti posteriore, motore posteriore	Parachoques trasero, Motor trasero: 22SCT
TLR4171	Sub Bumper Set: 22SCT	TLR Zusatzstoßfänger Set: 22SCT	Renfort de pare choc - 22SCT	Set paraurti secondario 22SCT	Refuerzo de parachoques: 22SCT
TLR43006	Wheel Disk, FL Yellow w/ Screws (4): 22SCT/2.0	TLR Wheel Disk FL gelb m. Schrauben (4): 22SCT/2.0:	Flasques de roues, jaunes avec vis (4) - 22SCT/2.0	Disco ruota, FL giallo c/viti (4): 22SCT/2.0	Disco de rueda, amarillo con tornillos (4): 22SCT / 2.0
TLR5065	Bleeder Shock Caps, Alum (2): 22/T	TLR Stoßdämpferkappen Set (2): 22/T	Bouchons d'amortisseurs en aluminium avec purgeurs (2)	Tappo sfiato ammortizzatori, allum. (2): 22/T	Tapa superior amortiguador aluminio (2): 22/T



Part #	English	Deutsch	Français	Italiano	Español
TLR5066	Bleeder Shock Cap Screw & Washers (4): 22/T	Stoßdämpfervolumenausgleichkappe, Schraube und Unterlegscheibe (4) 22/T	Vis de purge avec joints (4)	Vite e rondelle tappo sfiato ammortizzatore. (4): 22/T	Tornillo y arandela tapa superior amortiguador (4): 22/T
TLR5084	Rear Shock Body Set (2): 22	TLR Dämpfergehäuse-Set Hinten (2): 22	Set de corps d'amortisseurs arrière (2)	Set corpo ammortizzatore poster. (2): 22	Cuerpo amortiguador trasero (2): 22
TLR5086	Shock Cap: Bottom (2): 22	TLR Stoßdämpferendkappe unten (2):22	Bouchon inférieur d'amortisseur (2)	Tappo ammort.: inferiore (2): 22	Tapa inferior amortiguador (2): 22
TLR5092	Upper Shock Bushing (4): 22	TLR Buchsen für Dämpfer: 22 (4)	Entretoise supérieure d'amortisseur (4)	Boccola superiore ammort. (4): 22	Casquillo sujeción superior amortiguadores (4): 22
TLR5094	Shock Preload Adjuster Nut w/O-ring: 22	TLR Vorspannung Aluminium, 12mm Dämpfer	Bague de réglage d'amortisseur avec joint torique	Dado regolazione precarico ammort. senza O-ring: 22	Tuerca ajuste amortiguador con tórica: 22
TLR5095	Shock End Set w/Spring Cups, 12mm Shock: 22	TLR Endkugelpfanne / Federsteller, 12mm Dämpfer: 22	Chapes et coupelles d'amortisseurs	Terminale ammort. c/molla a tazza, 12mm: 22	Rótula y soporte muelle amortiguador 12mm: 22
TLR5096	Shock Limiter Set, 3.5mm Shaft: 22	TLR Einfederbegrenzung-Set, 3.5mm: 22	Butées d'amortisseurs 3.5mm	Set limitatore ammort., albero 3,5mm.: 22	Limitadores amortiguador, vástago 3.5mm: 22
TLR5097	Shock Standoff (2): 22	TLR Dämpferhalter: 22	Entretoise d'amortisseur (2)	Supporto ammortizzatore (2): 22	Sujeción superior amortiguador (2): 22
TLR5169	Rear Shock Spring, 2.6 Rate, Red	TLR Federnpaar hinten, 2.6 Rate, rot	Ressorts arrière, rouges dureté 2.6	Molla ammort. posteriore, 2.6 Rate, rossa	Muelle amortiguador trasero, durezo 2.6, rojo
TLR5183	Front Shock Spring, 3.8 Rate, Blue: 22T	TLR Federsatz vorne 3.8, blau: 22T	Ressorts avant, bleus, dureté 3.8	Molla ammort. anteriore, 3.8 Rate, blu: 22T	Muelle amortiguador delantero, durezo 3.8, azul
TLR5900	Button Head Screws, M3 x 5mm (10)	TLR Rundkopfschraube, M3 x 5mm (10)	Vis à tête bombée M3 x 5mm (10)	Viti testa tonda, M3 x 5mm (10)	Tornillo botón 3 x 5mm (10)
TLR5902	Button Head Screws, M3 x 8mm (10)	TLR Rundkopfschraube, M3 x 8mm (10)	Vis à tête bombée M3 x 8mm (10)	Viti testa tonda, M3 x 8mm (10)	Tornillo botón 3 x 8mm (10)
TLR5903	Button Head Screws, M3 x 10mm (10)	TLR Rundkopfschraube, M3 x 10mm (10)	Vis à tête bombée M3 x 10mm (10)	Viti testa tonda, M3 x 10mm (10)	Tornillo botón 3 x 10mm (10)
TLR5904	Button Head Screws, M3 x 12mm (10)	TLR Rundkopfschraube, M3 x 12mm (10)	Vis à tête bombée M3 x 12mm (10)	Viti testa tonda, M3 x 12mm (10)	Tornillo botón 3 x 12mm (10)
TLR5906	Button Head Screws, M3 x 35mm (10)	TLR Rundkopfschraube, M3 x 35mm (10)	Vis à tête bombée M3 x 35mm (10)	Viti testa tonda, M3 x 35mm (10)	Tornillo botón 3 x 35mm (10)
TLR5907	Button Head Screws, M3 x 40mm (10)	TLR Rundkopfschraube, M3 x 40mm (10)	Vis à tête bombée M3 x 40mm (10)	Viti testa tonda, M3 x 40mm (10)	Tornillo botón 3 x 40mm (10)
TLR5908	Button Head Screws, M3 x 44mm (10)	TLR Rundkopfschraube, M3 x 44mm (10)	Vis à tête bombée M3 x 44mm (10)	Viti testa tonda, M3 x 44mm (10)	Tornillo botón 3 x 44mm (10)

Part #	English	Deutsch	Français	Italiano	Español
TLR5909	Button Head Screws, M3 x 16mm (10)	TLR Rundkopfschraube, M3 x 16mm (10)	Vis à tête bombée M3 x 16mm (10)	Viti testa tonda, M3 x 16mm (10)	Tornillo botón 3 x 16mm (10)
TLR5910	Button Head Screws, M3 x 14mm (10)	TLR Rundkopfschrauben M3 x 14mm (10)	Vis à tête bombée M3x14mm (10)	Viti a testa tonda, M3 x 14mm (10)	Tornillo botón 3 x 14mm (10)
TLR5911	Button Head Screws, M3 x 20mm (10)	TLR Rundkopfschrauben, M3 x 20mm (10)	Vis à tête bombée M3x20mm (10)	Viti a testa tonda, M3 x 20mm (10)	Tornillo botón 3 x 20mm (10)
TLR5912	Button Head Screws, M3 x 54mm (2)	TLR Rundkopfschrauben, M3 x 54mm (2)	Vis à tête bombée M3x54mm (2)	Viti a testa tonda, M3 x 54mm (2)	Tornillo botón 3 x 54mm (2)
TLR5913	Button Head Screws, M2.5 x 12mm (10)	TLR Rundkopfschrauben, M2.5 x 12mm (10)	Vis à tête bombée M2.5x12mm (10)	Viti a testa tonda, M2.5 x 12mm (10)	Tornillo botón 2.5 x 12mm (10)
TLR5914	Button Head Screws, M2 x 12mm (10)	TLR Rundkopfschrauben, M2 x 12mm (10)	Vis à tête bombée M2x12mm (10)	Viti a testa tonda, M2 x 12mm (10)	Tornillo botón 2 x 12mm (10)
TLR5931	Cap Head Screws, M3 x 5mm (10)	TLR Zylinderkopfschraube, M3 x 5mm (10)	Vis BTR M3 x 5mm (10)	Viti testa a brugola, M3 x 5mm (10)	Tornillo redondo 3 x 5mm (10)
TLR5934	Cap Head Screws, M3 x 16mm (10)	TLR Rundkopfschraube, M3 x 16mm (10)	Vis BTR M3 x 16mm (10)	Viti testa a brugola, M3 x 16mm (10)	Tornillo redondo 3 x 16mm (10)
TLR5958	Flat Head Screw, M2 x 8mm (10)	TLR Flachkopfschrauben, M2 x 8mm (10)	Vis à tête fraisée M2 x 8mm (10)	Vite a testa piatta, M2 x 8mm (10)	Tornillo cónico 2 x 8mm (10)
TLR5960	Flat Head Screw, M2 x 6mm (10)	TLR Flachkopfschrauben, M2 x 6mm (10)	Vis à tête fraisée M2 x 6mm (10)	Vite a testa piatta, M2 x 6mm (10)	Tornillo cónico 2 x 6mm (10)
TLR5961	Flat Head Screw, M3 x 8mm (10)	TLR Flachkopfschrauben, M3 x 8mm (10)	Vis à tête fraisée M3 x 8mm (10)	Vite a testa piatta, M3 x 8mm (10)	Tornillo cónico 3 x 8mm (10)
TLR5963	Flat Head Screw, M3 x 12mm (10)	TLR Flachkopfschrauben, M3 x 12mm (10)	Vis à tête fraisée M3 x 12mm (10)	Vite a testa piatta, M3 x 12mm (10)	Tornillo cónico 3 x 12mm (10)
TLR5964	Flat Head Screw, M3 x 16mm (10)	TLR Flachkopfschrauben, M3 x 16mm (10)	Vis à tête fraisée M3 x 16mm (10)	Vite a testa piatta, M3 x 16mm (10)	Tornillo cónico 3 x 16mm (10)
TLR5965	Flat Head Screw, M3 x 20mm (10)	TLR Flachkopfschrauben, M3 x 20mm (10)	Vis à tête fraisée M3 x 20mm (10)	Vite a testa piatta, M3 x 20mm (10)	Tornillo cónico 3 x 20mm (10)
TLR6017	Rod End, 4mm Turnbuckle (12): 22SCT	TLR Kugelpfannen hinten (12): 22SCT	Chapes rotules 4mm (12) - 22SCT	Terminale tenditore 4mm (12): 22SCT	Rótulas, tensores 4mm (12): 22SCT
TLR6023	Ball Stud, 4.8 x 10mm (4): 22	TLR Kugelkopf mit Gewinde 4.8 x 10mm (4): 22	Rotules à visser 4,8mm x10mm (4)	Perno sferico, 4.8 x 10mm (4): 22	Bola con tornillo 4.8 x 10mm (4): 22
TLR6024	Ball Stud, 4.8 x 8mm (4): 22	TLR Kugelkopf mit Gewinde, 4.8 x: 8mm (4): 22	Rotules à visser 4,8mm x 8mm (4)	Perno sferico, 4.8 x 8mm (4): 22	Bola con tornillo 4.8 x 8mm (4): 22
TLR6028	Ball Stud, Short Neck, 5mm (2)	TLR Kugelkopf mit Gewinde kurzen Hals, 5mm (2)	Rotules à visser courtes 5mm (2)	Perno sferico, Short Neck, 5mm (2)	Bola con tornillo cuello corto 5mm (2)
TLR6065	Turnbuckle, HD, 70mm (2): 22SCT	TLR Gewindestift, HD, 70mm (2): 22SCT	Biellettes renforcées 70mm (2) - 22SCT	Tenditore, HD, 70mm (2): 22SCT	Tensores 70mm (2): 22SCT
TLR6105	E-Clips, 3mm Shaft (12)	TLR E-Clipse, 3mm (12)	Clips pour arbre 3mm (12)	E-Clips, 3mm Shaft (12)	E-Clips 3mm (12)
TLR6276	Set Screw, M2.5 x 5mm, Cup Point (10)	TLR Schraubenset, M2.5 x 5mm, Cup Point (10)	Vis sans tête bout bombé M2,5x5mm (10)	Grano, M2.5 x 5mm, punta piana (10)	Tornillo allen 2.5 x 5mm (10)
TLR6288	Set Screw, M3 x 2.5mm (10)	TLR Schraubenset, M3 x 2.5mm (10)	Set Screw, M3 x 2.5mm (10)	Set Screw, M3 x 2.5mm (10)	Set Screw, M3 x 2.5mm (10)
TLR6289	Set Screw, M3 x 5mm	TLR Schraubenset, M3 x 5mm (10)	Vis sans tête M3x5mm (10)	Grano, M3 x 5mm (10)	Tornillos allen 3 x 5mm (10)
TLR6312	Locknut, M2.5 x .45 x 5mm (6)	TLR Mutter selbstsichernd M2.5 x .45 x 5mm (6)	Ecrou M2,5x0,45x5mm (6)	Dado autobloccante, M2.5 x .45 x 5mm (6)	Tuercas autoblocantes 2.5 x 0.45 x 5mm (6)
TLR6313	Locknut, M3 x .5 x 5.5mm (10)	TLR Mutter selbstsichernd M3 x .5 x 5.5mm (10)	Ecrou M3 x 0,5 x 5,5mm (10)	Dado autobloccante, M3 x .5 x 5.5mm (10)	Tuercas autoblocantes 3 x 0.5 x 5.5mm (6)
TLR6352	Washers, M3 (10)	TLR U-Scheibe, M3 (10)	Rondelles M3 (10)	Rodelle, M3 (10)	Arandelas M3 (10)
TLR6932	5x10x4mm HD Bearings (2)	TLR Kugellager 5 x 10 x 4mm (2)	Roulements renforcés 5x10x4mm (2)	5x10x4mm HD Cuscinetti (2)	Rodamientos HD 5 x 10 x 4mm (2)
TLR7011	Wheel, Black (2): 22SCT	TLR Felge schwarz (2): 22SCT	Jantes, noires (2) - 22SCT	Ruota, nera (2): 22SCT	Llantas, negro (2): 22SCT
TLR74007	Silicone Shock oil, 32.5wt, 2oz	TLR Silikon Dämpferöl, 32.5 wt, 2 oz	Huile silicone amortisseurs 32.5wt, 59ml	Olio silicone per ammortizz. 32.5wt, 2oz	Aceite de silicona amortiguador 32.5wt, 59ml
TLR76004	TLR Lok, Threadlock, Blue	TLR Schraubensicherungslack Blau	Frein filet TLR Lok, bleu	TLR Lok, frenafilet, blu	Fijatornillo TLR Lok, azul
TLR77000	High-Pressure Black Grease, 8cc	TLR High-Pressure Fett Schwarz/8cc	Graisse noire haute pression, 8cc	Grasso nero alta pressione, 8cc	Grasa negra alta presión 8cc
TLR8202	Body Clips, Black (12): 22	TLR Karosseriekammern Schwarz (12): 22	Clips de carrosserie (12), noirs	Clips carrozzeria, neri (12): 22	Clips carrocería negros (12): 22



# OPTIONAL PARTS / DIVERSE TEILE / PIECES OPTIONNELLES / PEZZI OPZIONALI / PIEZAS OPCIONALES

Part #	English	Deutsch	Français	Italiano	Español
TLR1049	Brass Kick Angle Shim, 25 Degrees: 22	TLR Brass Kick Angle Distanzstück 25°: 22	Cales de chasse en bronze, 25°	Spessore in ottone per inclinazione 25 gradi: 22	Placa delantera latón 25° kick: 22
TLR1072	Front Pivot, Aluminum: 22	TLR Querlenkerhalter, Aluminium: 22	Cale de pincement avant en aluminium	Perno anteriore, alluminio: 22	Soporte trapecios delanteros, aluminio: 22
TLR1105	Front Pivot, 30 Degree, Alum: 22T	TLR Querlenkerhalter, 30°, Aluminium: 22T	Cale de pincement avant en aluminium, 30°	Perno anteriore, 30 gradi, alluminio: 22T	Soporte trapecios delanteros 30° aluminio: 22T
TLR1550	Servo Mounts, Aluminum: 22/22T	TLR Servobefestigung Aluminium, 22/22T	Supports de servo en aluminium	Supporti servo, alluminio: 22/22T	Soporte servo aluminio: 22/22T
TLR1555	Servo Horn, 23T, Aluminum: 22	TLR Servohorn/23T/Aluminium: 22	Bras de servo 23T en aluminium	Squadretta servo alluminio, 23T: 22	Brazo servo aluminio 23T: 22
TLR1556	Servo Horn, 24T, Aluminum: 22	TLR Servo Horn 24T Aluminium: 22	Bras de servo 24T en aluminium	Squadretta servo alluminio, 24T: 22	Brazo servo aluminio 24T: 22
TLR1557	Servo Horn, 25T, Aluminum: 22	TLR Servo Horn 25T Aluminium: 22	Bras de servo 25T en aluminium	Squadretta servo alluminio, 25T: 22	Brazo servo aluminio 25T: 22
TLR2061	Rear Camber Block, Mid Motor, Aluminum: 22/T/SCT	TLR Aufhängungshalter Mittelmotor Alum: 22/T/SCT	Bloc de carrossage arrière (moteur central) en aluminium	Blocco camber anter., motore centrale, alluminio: 22/T/SCT	Tabica camber trasera aluminio, motor medio: 22/T/SCT
TLR2062	Front Camber Block, Aluminum: 22SCT	TLR Spurstangenhalter vorne Aluminium: 22SCT	Cale de carrossage avant en aluminium - 22SCT	Blocco camber anteriore, alluminio: 22SCT	Tabica camber delantera, aluminio: 22SCT
TLR230006	22SCT 2.0 Body Set, Pre-Cut, with Stickers	TLR 22SCT 2.0: Karoserieset ausgeschnitten mit Aufkleber	Carrosserie 22SCT 2.0 pré découpée avec stickers	22SCT 2.0 Set carrozzeria, pretagliata con adesivi	Carrocería 22SCT 2.0 precortada con stickers
TLR231013	Steering Housing, Rack, Hardware: 22/2.0/T/SCT	TLR Halter u. Gehäuse Lenkung 22/2.0/T/SCT	Rail de direction - 22/2.0/T/SCT	Scatola sterzo, cremagliera, accessori: 22/2.0/T/SCT	dirección de cremallera: 22/2.0/T/SCT
TLR232000	Complete Ball Diff, Tungsten Balls: 22/T/SCT	TLR Kugeldiff Komplett mit Tungstenkugeln: 22/T/SCT	Différentiel complet à billes tungstène	Sfere in tungsteno per differenziale: 22/T/SCT	Diferencial completo con bolas de tungsteno: 22/T/SCT
TLR232001	Diff Service Kit, Tungsten Balls: 22/T/SCT	TLR : 22/T/SCT Diff Service Kit, Wolframkugeln	Kit de réparation de différentiel, billes tungstène	Kit manutenzione diff., sfere in tungsteno: 22/T/SCT	Kit reparación diferencial con bolas de tungsteno: 22/T/SCT
TLR232009	HDS Spur Gear, 76T 48P, Kevlar: All 22	TLR HDS Zahnrad 76T 48P Kevlar: alle 22	Couronne Kevlar HDS, 76T 48P	Corona HDS, 76T 48P, Kevlar: tutte le 22	Corona HDS 76T 48P kevlar: Todos 22
TLR232010	HDS Spur Gear, 78T 48P, Kevlar: All 22	TLR HDS Stirnrad 78T 48P, Kevlar: Alle 22	Couronne Kevlar HDS , 78T 48P	HDS corona, 78T 48P, Kevlar: tutte le 22	Corona HDS 78T 48P kevlar: Todos 22
TLR232011	HDS Spur Gear, 82T 48P, Kevlar: All 22	TLR HDS Zahnrad 82T 48P Kevlar: alle 22	Couronne Kevlar HDS, 82T 48P	Corona HDS, 82T 48P, Kevlar: tutte le 22	Corona HDS 82T 48P kevlar: Todos 22
TLR232013	HDS Spur Gear, 86T 48P, Kevlar: All 22	TLR HDS Zahnrad 86T 48P Kevlar: alle 22	Couronne Kevlar HDS, 86T 48P	Corona HDS, 86T 48P, Kevlar: tutte le 22	Corona HDS 86T 48P kevlar: Todos 22
TLR233010	Shock Piston 12mm 1.7x2 CNC Machined(4): All22,SCTE	TLR Stoßdämpferkolben 12mm 1.7 x2 CNC gefertigt (4) Alle 22, SCTE	Pistons d'amortisseurs usinés CNC diamètre 12mm, 1,7 x 2 trous (4)	Pistone ammortizzatore 12mm 1.7x2 fresato (4): tutte le 22,SCTE	Pistón amortiguador 12mm 1.7 x 2 mecanizado CNC (4): Todos 22, SCTE
TLR233011	Shock Piston 12mm Blank CNC Machined(4): All22,SCTE	TLR Stoßdämpferkolben 12mm CNC gefertigt (4) Alle 22, SCTE	Pistons d'amortisseurs usinés CNC diamètre 12mm, à percer (4)	Pistone ammortizzatore 12mm Blank fresato (4): tutte le 22,SCTE	Pistón amortiguador 12mm mecanizado CNC (4): Todos 22, SCTE
TLR233013	Rear Spring Set, Low Frequency (5 pair): 22/T/SCT	TLR 22/T/SCT Low Frequency Federnsatz hinten (5er)	Rear Spring Set, Low Frequency (5 pair): 22/T/SCT	Set molle posteriori, bassa frequenza (5 paia): 22/T/SCT	Muelle trasero, baja frecuencia (5 pares): 22/T/SCT
TLR234006	Caster Block Set, 0 & 5 degrees: 22/2.0/SCT	TLR Nachlaufblock Set, 0 & 5 °: 22/2.0/T/SCT	Set de ressorts arrière basse fréquence, (5 paires)	Set blocco caster, 0 & 5 gradi: 22/2.0/SCT	Bloque pivote 0 y 5°: 22/2.0/SCT
TLR234010	Anti-Squat Tuning Set, HRC: 22/2.0/T/SCT	Anti-Squat Tuning Set, HRC: 22/2.0/T/SCT	Set anti-cabrage HRC	Set messa a punto anti-squat, HRC: 22/2.0/T/SCT	Placas anti-squat HRC: 22/2.0/T/SCT
TLR236002	Ballstud / Hub Spacers, M3 x 0.5mm (14)	TLR Kugelköpfe M3 x 0.5mm (14)	Entretoise de rotules M3x0,5mm (14)	Perno sfera / Distanziali mozzo, M3 x 0.5mm (14)	Espaciadores 3 x 0.5mm (14)
TLR2933	Rear Hex, Standard Width, Aluminum: 22SCT	TLR Mitnehmer hinten, Standard, Aluminium: 22SCT	Hexagone arrière standard en aluminium	Esagono posteriore, larghezza standard, alluminio: 22SCT	Hex trasero estándar aluminio: 22SCT
TLR2935	Rear Hex, +1.5mm Width, Aluminum: 22SCT	TLR Mitnehmer hinten, +1,50mm, Aluminium: 22SCT	Hexagone arrière +1,5mm en aluminium	Esagono posteriore, larghezza +1.5mm, alluminio 22SCT	Hex trasero +1.5mm aluminio: 22SCT
TLR2936	Front Hex, Aluminum: 22SCT	TLR Mitnehmer Vorne, Aluminium: 22SCT	Hexagones avant en aluminium	Esagono anteriore, alluminio 22SCT	Hex delantero aluminio: 22SCT
TLR2950	Hex Differential Wrench, Aluminum: 22	TLR Diff Einstellschlüssel, Aluminium: 22	Clé hexagonale pour différentiel	Chiave esagonale differenziale, alluminio 22	Llave Hex diferencial, aluminio: 22
TLR2979	Toe Plate, Aluminum, 3.5 Degree: HRC, 22	TLR Vorspurplatte, Aluminium, 3.5Grad: 22	Cale de pincement aluminium 3.5° HRC	Piastra toe, alluminio, 3,5 gradi: HRC, 22	Placa convergencia trasera 3.5° aluminio HRC: 22
TLR2980	Toe Plate, Aluminum, 4 Degree: HRC, 22	TLR Vorspurplatte, Aluminium, 4 Grad: 22	Cale de pincement aluminium 4° HRC	Piastra toe, alluminio, 4 gradi: HRC, 22	Placa convergencia trasera 4° aluminio HRC: 22
TLR2983	Toe Plate, Aluminum, 3 Degree, HRC: 22	TLR Querlenkerhalter Hinten Alum. 3 Grad HRC: 22	Cale de pincement aluminium 3° HRC	Piastra toe, alluminio, 3 gradi, HRC: 22	Placa convergencia trasera 3° aluminio HRC: 22
TLR2985	Toe Plate, Aluminum, 3.5 Degree, LRC: 22	TLR Querlenkerhalter hinten Alum. 3.5 Grad LRC: 22	Cale de pincement aluminium 3.5° LRC	Piastra toe, alluminio, 3,5 gradi, LRC: 22	Placa convergencia trasera 3.5° aluminio LRC: 22

Part #	English	Deutsch	Français	Italiano	Español
TLR2986	Toe Plate, Aluminum, 4 Degree, HRC: 22	TLR Querlenkerhalter hinten Alum. 4 Grad LRC: 22	Cale de pincement aluminium 4° LRC	Piastra toe, alluminio, 4 gradi, LRC: 22	Placa convergencia trasera 4° aluminio LRC: 22
TLR2990	22/22T Slipper Adjustment Tool	TLR 22/22T Slipper Einstellwerkzeug	Outil de réglage du slipper	22/22T Slipper Adjustment Tool	Herramienta ajuste slipper 22/22T
TLR331002	TLR 22SCT Chassis Protective Tape Precut (2)	TLR 22SCT Chassis Schutzfolie, vorgeschritten (2)	Adhésif de protection de châssis pré-découpé (2)	TLR 22SCT Chassis Protective Tape Precut (2)	Cinta protectora de chasis precortada (2)
TLR331010	Battery Strap, Rear Motor, Carbon: 22/2.0/T/SCT	Akkuhalter Heckmotor Carbon :22/2.0/T/SCT	Support de batterie en carbone, moteur arrière	Fascetta batteria, motore posteriore, carbonio: 22/2.0/T/SCT	Sujeción batería carbono, motor trasero: 22/2.0/T/SCT
TLR331011	Thumb Screw Battery Mounting, Alum: 22/2.0/T/SCT	TLR Verschlusschraube Akkuhalter Alu: 22/2.0/T/SCT	Vis moletée en aluminium du support de batterie	Vite a serraggio manuale per batteria, allum.: 22/2.0/T/SCT	Tornillo soporte batería aluminio: 22/2.0/T/SCT
TLR334001	Sway Bar Kit, Front: 22SCT	Stabilisator Set vorne: 22 SCT	Kit de barre anti-roulis avant	Barra antitorsione anteriore: 22SCT	Kit barra estabilizadora delantera: 22 SCT
TLR334002	Sway Bar Kit, Rear: 22SCT	Stabilisator Set hinten: 22 SCT	Kit de barre anti-roulis arrière	Barra antitorsione posteriore: 22SCT	Kit barra estabilizadora trasera: 22 SCT
TLR334003	Toe Plate, Aluminum 2.5 Degree, LRC: 22	TLR Querlenkerhalter 2.5° Vorspur LRC: 22	Cale de pincement 2,5° LRC en aluminium	Piastra toe, alluminio, 2,5 gradi, LRC: 22	Placa convergencia trasera 2.5° aluminio LRC: 22
TLR334015	Front Pivot, HRC, Aluminum: 22/2.0/T/SCT	TLR: Querlenkerhalter vorne HRC, Alu 22/2.0/T/SCT	Cale de pincement avant HRC en aluminium	Perno anteriore, HRC, alluminio: 22/2.0/T/SCT	Soporte trapecios delanteros aluminio HRC: 22/2.0/T/SCT
TLR334020	Front Pivt 25 deg, 50g Brass: 22/2.0/T/SCT	TLR Querlenkerhalter 25°, 50g: 22/2.0/T/SCT	Cale de chaise 25°, lest 50g	Perno anter. 25 gradi, ottone 50g: 22/2.0/T/SCT	Soporte trapecios delanteros 25°, latón 50g: 22/2.0/T/SCT
TLR334021	HD Turnbuckle Kit, Titanium (6): 22SCT 2.0	TLR Gewindestift Titan (6): 22/2.0/SCT	Kit de biellettes titane renforcées (6)	Kit tenditore HD, titanio (6): 22SCT 2.0	Tensores (6), titanio: 22SCT 2.0
TLR334022	Rear Hub Carrier Set, Aluminum: 22SCT 2.0	TLR Radträger set hinten: 22/2.0/SCT	Set de fusées arr en aluminium	Set trascinatore mozzo posteriore, alluminio: 22SCT 2.0	Soporte de cubo trasero, aluminio: 22SCT 2.0
TLR336001	4mm Aluminum Serrated Lock Nuts, Blue (6)	TLR 4mm Aluminium Stopmutter mit Flansch Blau (6).	Ecrou auto-freiné épaulé M4, aluminium, bleu (6)	Dado autobloccante 4mm dentellato, blu (6)	Tuercas 4mm aluminio con bloqueo, azul (6)
TLR338001	22SCT 2.0 Mid Motor Conversion Kit	TLR: 22T und 22 SCT Mittelmotor Umbaukit	Kit de conversion moteur central	22SCT 2.0 Kit conversione motore centrale	Kit de conversión de motor central 22SCT 2.0
TLR4142	Chassis Dirt Cover: 22SCT	TLR Schmutzfänger für Chassis: 22SCT	Protection châssis	Protezione sporco per telaio: 22SCT	Protección chasis: 22SCT
TLR4143	Dirt Cover Mounts (2): 22SCT	TLR Karosseriebefestigung/ Unterboden: 22SCT	Supports de protection de châssis (2)	Supporti protezione sporco (2): 22SCT	Soporte de protección de chasis (2): 22SCT
TLR4144	Mud Flaps & Straps: 22SCT	TLR Schmutzfänger: 22SCT	Bavettes	Alette fango e cinghie: 22SCT	Pantallas: 22SCT
TLR4166	Titanium Shock Mounts (4): 22	TLR Titan Dämpferbefestigung (4): 22	Fixations d'amortisseurs en titane	Supporti ammortizzatori in titanio (4): 22	Sujeción superior amortiguadores titanio (4): 22
TLR4167	Brass Weight System, Rear Motor: 22	TLR Zusatzgewichte Hinten: 22	Masses d'équilibrage pour moteur en position arrière	Sistema pesi in ottone, motore posteriore: 22	Conjunto pesos latón, motor trasero: 22
TLR43007	Wheel Disk, White w/Screws (4): 22SCT/2.0	TLR Wheel Disk FL Weiss m. Schrauben (4): 22SCT/2.0	Flasques de roues blancs (avec vis) (4)	Disco ruota, bianco c/viti (4): 22SCT/2.0	Disco de rueda, blanco con tornillos (4): 22SCT / 2.0
TLR43008	Wheel Disk, Black w /Screws (4): 22SCT/2.0	TLR 22SCT/2.0: Wheel Disk FL Schwarz m. Schrauben (4)	Flasques de roues noirs (avec vis) (4)	Disco ruota, nero c/viti (4): 22SCT/2.0	Disco de rueda, negro con tornillos (4): 22SCT / 2.0
TLR5089	Bladder Set: 12mm Shocks (4): 22	TLR Ausgleichsmembran Set: 12mm Dämpfer (4): 22	Membranes d'amortisseurs 12mm (4)	Set serbatoio: ammort. 12mm (4): 22	Membrana amortiguador 12mm (4): 22
TLR5099	Shock Tool Kit, Aluminum: 12mm Shock	TLR Dämpfer Werkzeugset, Aluminium: 12mm Dämpfer	Outil en aluminium pour amortisseur 12mm	Kit attrezzi alluminio per ammort.: ammort. 12mm	Herramienta de amortiguador, aluminio 12mm
TLR5162	Rear Shock Springs, 1.6 Rate, Grey: 22T	TLR Federsatz Hinten 1.6 Rate Grey: 22T	Ressorts arrière, dureté 1.6, gris	Molle ammort. posteriori, grado 1.6, colore grigio: 22T	Muelle amortiguador trasero, durezo 1.6, gris: 22T
TLR5163	Rear Shock Springs, 1.8 Rate, White: 22T	TLR Federsatz Hinten 1.8 Rate White: 22T	Ressorts arrière, dureté 1.8, blancs	Molle ammort. posteriori, grado 1.8, bianche: 22T	Muelle amortiguador trasero, durezo 1.8, blanco: 22T
TLR5164	Rear Shock Springs, 2.0 Rate, Yellow: 22T	TLR Federsatz Hinten 2.0 Rate Yellow: 22T	Ressorts arrière, dureté 2.0, jaune	Molle ammort. posteriori, grado 2.0, colore giallo: 22T	Muelle amortiguador trasero, durezo 2.0, amarillo: 22T
TLR5168	Rear Shock Spring, 2.3 Rate, Pink	TLR Federnpaar Hinten, 2.3 Rate, Pink	Ressorts arrière, dureté 2.3, rose	Molle ammort. posteriori, grado 2.3 colore rosa.	Muelle amortiguador trasero, durezo 2.3, rosa
TLR5170	Rear Shock Spring, 2.9 Rate, Orange	TLR Federnpaar Hinten.: 2.9 Rate, Orange	Ressorts arrière, dureté 2.9, orange	Molle ammort. posteriori, grado 2,9, colore arancio.	Muelle amortiguador trasero, durezo 2.9, anaranjado
TLR5171	Rear Shock Spring, 3.4 Rate, Silver	TLR Federnpaar Hinten, 3.4 Rate, Silber	Ressorts arrière, dureté 3.4, argent	Molle ammort. posteriori, grado 3.4, colore argento.	Muelle amortiguador trasero, durezo 3.4, plata
TLR5178	Front Shock Spring, 2.3 Rate, Pink: 22T	TLR Feder Vorne 2.3 Rate, Pink: 22T	Ressorts avant, dureté 2.3, rose	Molle ammort. anteriori, grado 2.3, colore rosa.	Muelle amortiguador delantero, durezo 2.3, rosa: 22T
TLR5179	Front Shock Spring, 2.5 Rate, Red: 22T	TLR Feder Vorne 2.3 Rate, Pink: 22T	Ressorts avant, dureté 2.5, rouge	Molle ammort. anteriori, grado 2.5, colore rosso.	Muelle amortiguador delantero, durezo 2.5, rojo: 22T
TLR5180	Front Shock Spring, 2.9 Rate, Orange: 22T	TLR Feder Vorne 2.9 Rate, Orange: 22T	Ressorts avant, dureté 2.9, orange	Molle ammort. anteriori, grado 2.9, colore arancio.	Muelle amortiguador delantero, durezo 2.9, anaranjado: 22T

Part #	English	Deutsch	Français	Italiano	Español
TLR5181	Front Shock Spring, 3.2 Rate, Silver: 22T	TLR Feder Vorne 3.2 Rate, Silber: 22T	Ressorts avant, dureté 3.2, argent	Molle ammort. anteriori, grado 3.2, colore argento.	Muelle amortiguador delantero, durezo 3.2, plata: 22T
TLR5182	Front Shock Spring, 3.5 Rate, Green: 22T	TLR Feder Vorne 3.5 Rate, Grün: 22T	Ressorts avant, dureté 3.5, vert	Molle ammort. anteriori, grado 3.5, colore verde.	Muelle amortiguador delantero, durezo 3.5, verde: 22T
TLR5184	Front Shock Spring, 4.1 Rate, Black: 22T	TLR Federnsatz Vorn 4.1 Schwarz: 22T	Ressorts avant, dureté 4.1, noir	Molle ammort. anteriori, grado 4.1, colore nero.	Muelle amortiguador delantero, durezo 4.1, negro: 22T
TLR6030	Titanium Ball Stud, 4.8 x 6mm (2)	TLR Titan Kugelköpfe, 4.8 x 6mm (2)	Rotule en titane, 4,8 x 6mm (2)	Perno sferico, titanio, 4.8 x 6mm (2)	Bola con tornillo 4.8 x 6mm (2)
TLR6031	Titanium Ball Stud, 4.8 x 8mm (2)	TLR Titan Kugelköpfe, 4.8 x 8mm (2)	Rotule en titane, 4,8 x 8mm (2)	Perno sferico, titanio, 4.8 x 8mm (2)	Bola con tornillo 4.8 x 8mm (2)
TLR6032	Titanium Ball Stud, 4.8 x 10mm (2)	TLR Titan Kugelköpfe, 4.8 x 10mm (2)	Rotule en titane, 4,8x10mm (2)	Perno sferico, titanio, 4.8 x 10mm (2)	Bola con tornillo 4.8 x 10mm (2)
TLR7004	Wheel, Yellow (2): 22SCT	TLR: Rad, Gelb: (2) :22SCT	Jantes jaunes (2)	Ruota, gialla (2): 22SCT	Llantas amarillas (2): 22SCT
TLR7005	Beadlock Ring, FL Yellow w/ Screws (4): 22SCT	TLR Radblenden inkl. Schrauben (4): 22SCT	Anneaux beadlock jaunes avec vis (4)	Anello di blocco, FL giallo c/ viti (4): 22SCT	Anillos beadlock amarillas con tornillo (4): 22SCT
TLR7012	Wheel, White, (2): 22SCT	TLR Felge Weiß (2): 22SCT	Jantes blanches (2)	Ruota, bianca, (2): 22SCT	Llantas blancas (2): 22SCT
TLR72000	Ball Cup Wrench, 4.8mm: 22/T/SCT	TLR Kugelkopf Inbus 4.8mm 22/T/SCT	Clé pour rotules 4.8mm	Chiave per attacco a sfera, 4.8mm: 22/T/SCT	Llave rótulas 4.8mm: 22/T/SCT
TLR74004	Silicone Shock oil, 25wt, 2oz	Silikonstoßdämpferöl, 25wt, 2 oz	Huile silicone d'amortisseur, 25wt, 60 ml	Olio silicone ammortizzatori, 25wt, 2oz	Aceite amortiguador silicona 25wt, 2oz
TLR74005	Silicone Shock oil, 27.5wt, 2oz	Silikonstoßdämpferöl, 27,5wt, 2 oz	Huile silicone d'amortisseur, 27,5wt, 60 ml	Olio silicone ammortizzatori, 27.5wt, 2oz	Aceite amortiguador silicona 27.5wt, 2oz
TLR74006	Silicone Shock oil, 30wt, 2oz	TLR Silikon Dämpferöl, 30wt, 2oz	Huile silicone d'amortisseur, 30wt, 60 ml	Olio silicone ammortizzatori, 30wt, 2oz	Aceite amortiguador silicona 30.5wt, 2oz
TLR74008	Silicone Shock oil, 35wt, 2oz	Silikonstoßdämpferöl, 35wt, 2 oz	Huile silicone d'amortisseur, 35wt, 60 ml	Olio silicone ammortizzatori, 35wt, 2oz	Aceite amortiguador silicona 35wt, 2oz
TLR74019	Shock Oil 6Pk, 17.5,22.5,27.,32.5,37.5,42.5 2oz	Stoßdämpferöl 6 Set, 17.5, 22.5, 27.5, 32.5, 37.5, 42.5, 2oz	Assortiment de 6 flacons d'huile silicone d'amortisseur 17.5, 22.5, 27.5, 32.5, 37.5, 42.5 en 60ml	Olio ammortizzatori 6Pk, 17.5, 22.5, 27.5, 32.5, 37.5, 42.5 2oz	Pack aceite amortiguador silicona 17.5, 22.5, 27.5, 32.5, 37.5, 42.5wt, 2oz
TLR74020	Shock Oil 6Pk, 20,25,30,35,40,45, 2oz	Stoßdämpferöl 6 Set 6Pk, 20, 25, 30, 35, 40, 45, 2oz	Assortiment de 6 flacons d'huile silicone d'amortisseur 20, 25, 30, 35, 40, 45 en 60ml	Olio ammortizzatori 6Pk, 20, 25, 30, 35, 40, 45, 2oz	Pack aceite amortiguador silicona 20, 25, 30, 35, 40, 45wt 2oz
TLR76000	Tire Glue, Standard	TLR Reifenkleber Standard	Colle à pneus standard	Colla per gomme, standard	Pegamento de neumáticos estándar
TLR77002	Shock O-Ring Grease, 8cc	TLR Fett 8cc O-Ring	Graisse pour joints toriques d'amortisseurs, 8cc	Grasso o-ring ammort, 8cc	Grasa para junta tórica amortiguador, 8cc
TLR8300	TLR Sticker Sheet	TLR Dekorbogen	Planches de décoration TLR	Foglio adesivi TLR	Hojas de decoración TLR
TLR99004	TLR Embroidered Cargo Bag	TLR Tasche	Sac de transport TLR	Borsa ricamata TLR	Bolsa de transporte TLR
TLR99014	TLR Foam Pit Mat	TLR Schrauberplatte Schaum	Tapis de stand en mousse TLR	Stuoia gommapiuma TLR	Base de trabajo foam TLR
TLR99101	Shock Shaft Pliers	TLR Zange für Dämpferkolbenstange	Pince à tige d'amortisseur	Pinze albero ammortizzatore	Alicates para vástagos amortiguador
TLR99102	Turnbuckle Wrench, 22, 8ight, XXX	TLR Stellschlüssel für Gewindestift, 3.5, 4, 5mm	Clé à biellettes 3.5mm, 4mm, 5mm	Chiave per tenditore, 22, 8ight, XXX	Llave tirantes: 22, 8ight, XXX

Created 10/14 40354

© 2014 Horizon Hobby, LLC. Losi, Team Losi, TLR, TLR-Lok and 22 are trademarks or registered trademarks of Horizon Hobby, LLC.

The Spektrum trademark is used with permission of Bachmann Industries, Inc.

Airtronics® is a registered mark of Sanwa Electronic Instrument Co., Ltd., Osaka, Japan. Hitec is a trademark or registered trademark of Hitec RCD USA, Inc. KO PROPO® is a registered trademark of Kondo Kagaku Co., Ltd., Tokyo, Japan. Futaba is a registered trademark of Futaba Denshi Kogyo Kabushiki Kaisha Corporation of Japan.

JR is a registered trademark of JR Americas. All other trademarks, service marks or logos are property of their respective owners.

**Horizon Hobby, LLC**  
4105 Fieldstone Road,  
Champaign, IL 61822 USA

**Horizon Hobby Limited**  
Units 1-4 Ployters Rd  
Staple Tye, Harlow, Essex  
CM18 7NS, United Kingdom

**Horizon Hobby GmbH**  
Christian-Junge-Straße 1  
25337 Elmshorn, Germany

**Horizon Hobby – China**  
Room 506, No. 97 Changshou Rd  
Shanghai, China 200060