

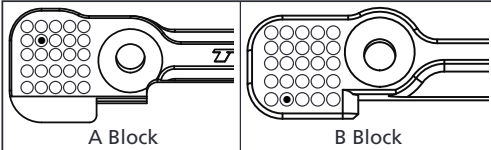
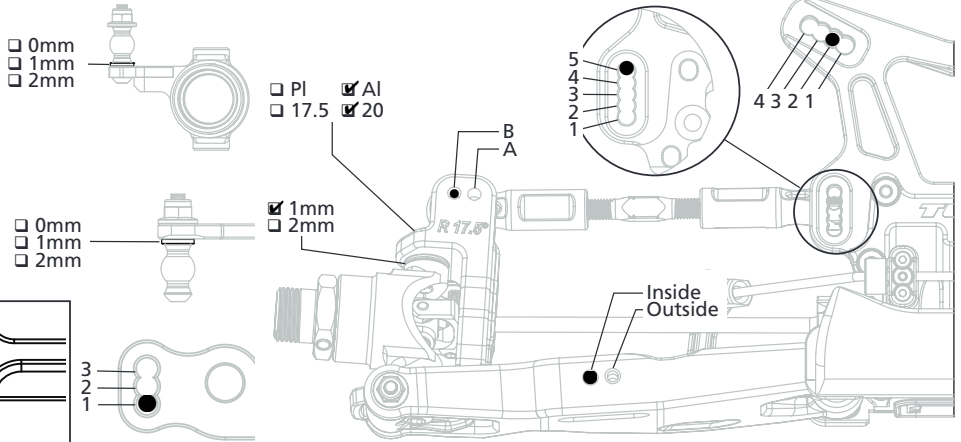
Name: Justin Watson Date: 10/22/22 Event: Pro-Line Nitro Explosion Track: Thunder Alley

Track Conditions

<input type="checkbox"/> Indoor	<input type="checkbox"/> Tight	<input type="checkbox"/> Smooth <input checked="" type="checkbox"/>	<input type="checkbox"/> Hard Packed	<input type="checkbox"/> Blue Groove	<input checked="" type="checkbox"/> Wet	<input type="checkbox"/> Low Bite	<input type="checkbox"/> High Bite
<input checked="" type="checkbox"/> Outdoor	<input type="checkbox"/> Open	<input type="checkbox"/> Rough	<input type="checkbox"/> Loose/Loamy	<input type="checkbox"/> Dry	<input type="checkbox"/> Dusty	<input checked="" type="checkbox"/> Med Bite	<input type="checkbox"/> Other

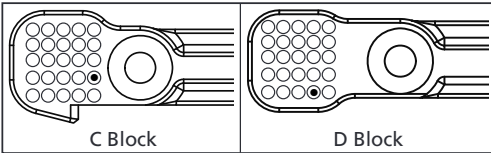
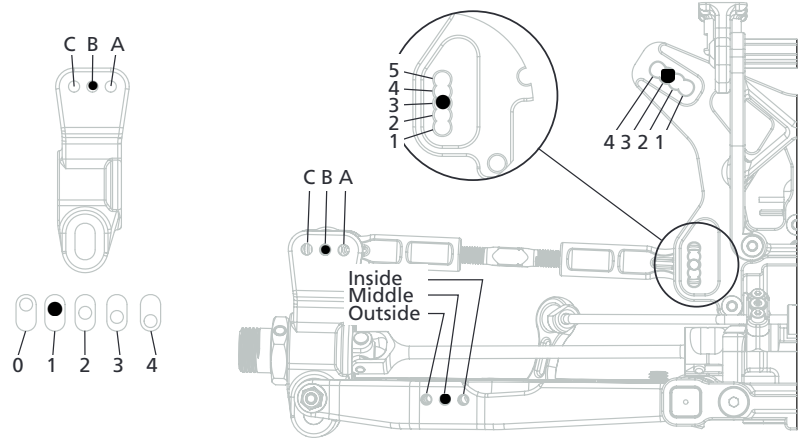
Front Suspension

Ride Ht	27
Camber	-2
Toe	7k TLR
Sway Bar	2.4mm
Notes: Center Hole On V2 Carrier 3mm Both sides of steering link (Spindle & Rack) Ackerman plate 5k TLR	



Rear Suspension

Ride Ht	28
Camber	-1.5
Sway Bar	2.5
Notes: Alum rear hubs w/ B Plates & angled rod end 4k TLR	



Chassis

Differentials	Front	Center	Rear
Fluid	7k TLR	5k TLR	4k TLR
Pins	<input checked="" type="checkbox"/> AL <input type="checkbox"/> STL	<input checked="" type="checkbox"/> AL <input type="checkbox"/> STL	<input checked="" type="checkbox"/> AL <input type="checkbox"/> STL
Case	<input type="checkbox"/> STD <input checked="" type="checkbox"/> HD	<input type="checkbox"/> STD <input checked="" type="checkbox"/> HD	<input type="checkbox"/> STD <input checked="" type="checkbox"/> HD

Wing	New TLR
Brand	No
<input type="checkbox"/> Wicker Bill	No

Engine and Clutch	Speed B2104	Fuel	TNR
Engine	P3 Gold	Head Clearance	
Glow Plug	2100 80mm	Gearing	13/47
Pipe/Header	2 Blue 2 Carbon	Clutch Springs	gold/green
Th Servo	S6280	St Servo	A6300
Rx Pack	Lipo 2300	Flywheel	<input checked="" type="checkbox"/> AL <input type="checkbox"/> STL

Shocks	Front	Rear
Shock Type	<input type="checkbox"/> Bladder <input type="checkbox"/> Re Bladder <input checked="" type="checkbox"/> Emulsion <input type="checkbox"/> Vented	<input type="checkbox"/> Bladder <input type="checkbox"/> Re Bladder <input checked="" type="checkbox"/> Emulsion <input type="checkbox"/> Vented
Shaft Dia	<input checked="" type="checkbox"/> 3.5 <input type="checkbox"/> 4.0	<input checked="" type="checkbox"/> 3.5 <input type="checkbox"/> 4.0
Piston	5 x 1.5 Flat	5 x 1.6 Flat
Oil	45 TLR	37.5 TLR
Spring	Silver	Brown
Stroke		
Droop	28	25

Tires	Front	Rear
Brand	Pro-Line	Pro-Line
Tread	Hole Shot	Hole Shot
Compound	M3	M3
Insert	Stock	Stock
Sauce		

