

Zelos 48

48-INCH CATAMARAN BRUSHLESS RTR | OWNER'S MANUAL

PROBOAT
Products Division

NOTICE

All instructions, warranties and other collateral documents are subject to change at the sole discretion of Horizon Hobby, LLC. For up-to-date product literature, visit <http://www.horizonhobby.com> and click on the support tab for this product.

MEANING OF SPECIAL LANGUAGE

The following terms are used throughout the product literature to indicate various levels of potential harm when operating this product:

NOTICE: Procedures, which if not properly followed, create a possibility of physical property damage AND little or no possibility of injury.

CAUTION: Procedures, which if not properly followed, create the probability of physical property damage AND a possibility of serious injury.

WARNING: Procedures, which if not properly followed, create the probability of property damage, collateral damage, and serious injury OR create a high probability of superficial injury.

WARNING: Read the ENTIRE instruction manual to become familiar with the features of the product before operating. Failure to operate the product correctly can result in damage to the product, personal property and cause serious injury.

This is a sophisticated hobby product and NOT a toy. It must be operated with caution and common sense and requires some basic mechanical ability. Failure to operate this Product in a safe and responsible manner could result in injury or damage to the product or other property. This product is not intended for use by children without direct adult supervision. Do not use with incompatible components or alter this product in any way outside of the instructions provided by Horizon Hobby, LLC. This manual contains instructions for safety, operation and maintenance. It is essential to read and follow all the instructions and warnings in the manual, prior to assembly, setup or use, in order to operate correctly and avoid damage or serious injury.

Age Recommendation: Not for children under 14 years.

This is not a toy.

Safety Precautions and Warnings

As the user of this product, you are solely responsible for operating in a manner that does not endanger yourself and others or result in damage to the product or the property of others.

- When handling and/or transporting your boat, always pick up the boat from the front, keeping all moving parts pointed away from you.
- Always keep a safe distance in all directions around your model to avoid collisions or injury. This model is controlled by a radio signal subject to interference from many sources outside your control. Interference can cause momentary loss of control.
- Always operate your model in open spaces away from full-size vehicles, traffic and people.
- Always carefully follow the directions and warnings for this and any optional support equipment (chargers, rechargeable battery packs, etc.).
- Always keep all chemicals, small parts and anything electrical out of the reach of children.
- Always avoid water exposure to all equipment not specifically designed and protected for this purpose. Moisture causes damage to unprotected electronics.
- Never place any portion of the model in your mouth as it could cause serious injury or even death.
- Never operate your model with low transmitter batteries.

Water-Resistant Boat with Waterproof Electronics

Your new Horizon Hobby boat has been designed and built with a combination of waterproof and water-resistant components to allow you to operate the product in calm, fresh water conditions.

While the entire boat is highly water-resistant, it is not completely waterproof and your boat should NOT be treated like a submarine. The various electronic components used in the boat, such as the ESC, servo(s) and receiver are waterproof, however, most of the mechanical components are water-resistant and require additional maintenance after use.

Metal parts, including the bearings, pins, screws and nuts, propeller, rudder, rudder mounts, prop struts, as well as the contacts in the electrical cables, will be susceptible to corrosion if additional maintenance is not performed after running in wet conditions. To maximize the long-term performance of your boat and to keep the warranty intact, the procedures described in the "Wet Conditions Maintenance" section must be performed regularly.

CAUTION: Failure to exercise caution while using this product and complying with the following precautions could result in product malfunction and/or void the warranty.

General Precautions

- Read the WET CONDITIONS MAINTENANCE procedures and make sure that you have all the tools you will need to properly maintain your boat.
- Not all batteries can be used in wet conditions. Consult the battery manufacturer before use. Caution should be taken when using Li-Po batteries in wet conditions.
- Most transmitters are not water-resistant. Consult your transmitter's manual or the manufacturer before operation.
- Never operate your transmitter or boat when lightning is present.
- Salt water is very conductive and highly corrosive. If you choose to run your boat in salt water, immediately rinse the boat in fresh water after each use. Operating your boat in salt water is at the sole discretion of the modeler.

Wet Conditions Maintenance

- Drain any water that has collected in the hull by removing the drain plug or canopy and tilting the boat in the appropriate direction to drain the water.

CAUTION: Always keep hands, fingers, tools and any loose or hanging objects away from rotating parts.

- Remove the battery pack(s) and dry the contacts. If you have an air compressor or a can of compressed air, blow out any water that may be inside the recessed connector housings.
- Remove all moving parts. Dry and lubricate parts after every 30 minutes of operation or if the boat becomes submerged.

NOTICE: Never use a pressure washer to clean your boat.

- Use an air compressor or a can of compressed air to dry the boat and help remove any water that may have gotten into small crevices or corners.
- Spray the bearings, fasteners and other metal parts with a water-displacing light oil or lubricant.
- Let the boat air dry before you store it. Water (and oil) may continue to drip for a few hours.

Specifications

Length	48 in (1244.6mm)
Beam (width)	17.3 in (440mm)
Hull Material	Fiberglass
Motor	Dynamite® 1000Kv, 6-pole
ESC	Dynamite 160-amp HV (max 8S)
Transmitter	Spektrum™ DX2E 2.4GHz Pistol Grip
Receiver	Spektrum SR310
Batteries	4 AA batteries (sold separately) are required to operate the transmitter; (2) Reaction® 11.1V 5000mAh 3S 50C LiPo Hardcase with EC5™ connector (for 6s); (2) Reaction 14.8V 5000mAh 4S 50C LiPo Hardcase or (2) Reaction 14.8V 6000mAh 4S 80C LiPo Hardcase with EC5 connector (for 8s) (sold separately)

Battery and Battery Charger

Choose a battery and battery charger designed to work with your boat. We recommend either a Dynamite® Reaction™ 11.1V 5000mAh 3S 50C LiPo battery, a Dynamite® Reaction™ 14.8V 5000mAh 4S 50C Li-Po battery or a Dynamite® Reaction™ 14.8V 6000mAh 4S 80C. We recommend either the Dynamite Prophet™ Sport Plus 50W AC/DC Charger or the Dynamite Prophet Sport Duo 2 X 50W charger. Refer to your battery and battery charger manuals for charging instructions and safety information.

NOTICE: Never charge a battery in the boat or damage may result.

Low Voltage Cutoff (LVC)

Discharging a Li-Po battery below 3V per cell may damage your battery. The included ESC protects the boat battery from over-discharge using Low Voltage Cutoff (LVC). Before the battery charge decreases too much, LVC removes power supplied to the motor. The boat will slow significantly. Once LVC is active, we recommend you return the boat to shore immediately. Do not continue to run the boat after it slows or you will damage your batteries.

Disconnect and remove the Li-Po battery from the boat after use to prevent trickle discharge. Charge your Li-Po battery to about half capacity before storage. During storage, make sure the battery charge does not fall below 3V per cell. LVC does not prevent the battery from over-discharge during storage.

NOTICE: Applying the throttle after the LVC will over discharge the battery and cause battery damage.

Tip: Monitor your boat battery's voltage before and after boating by using a Li-Po Cell Voltage Checker (DYN4071, sold separately).

NOTICE: The installed 52mm diameter propeller is intended for use with 6S Li-Po batteries. The additional 48mm diameter propeller is intended for use with 8S Li-Po batteries. When using the larger 52mm propeller on 8S to achieve speeds greater than 55 MPH, you must use Li-Po packs with a minimum rating of 5000mAh, 50C. Using the larger 52mm propeller on 8S with lower-rated battery packs can lead to battery pack failure. We recommend using 8S Li-Po in tandem, allowing for greater battery pack efficiency, increased run time, and lower battery pack temperatures.

1 Getting Started

Antenna Tube Installation

Install the receiver antenna in the tube as shown. Do not bend end of antenna over antenna tube and place cap over it. The antenna does not have to be outside of the tube to operate properly.

Keep the end of the antenna above the boat's waterline to get the best transmitter reception. Apply clear tape (DYNM0102), if desired.

NOTICE: Do not cut or kink the receiver antenna or damage may result.

Battery Pack Installation

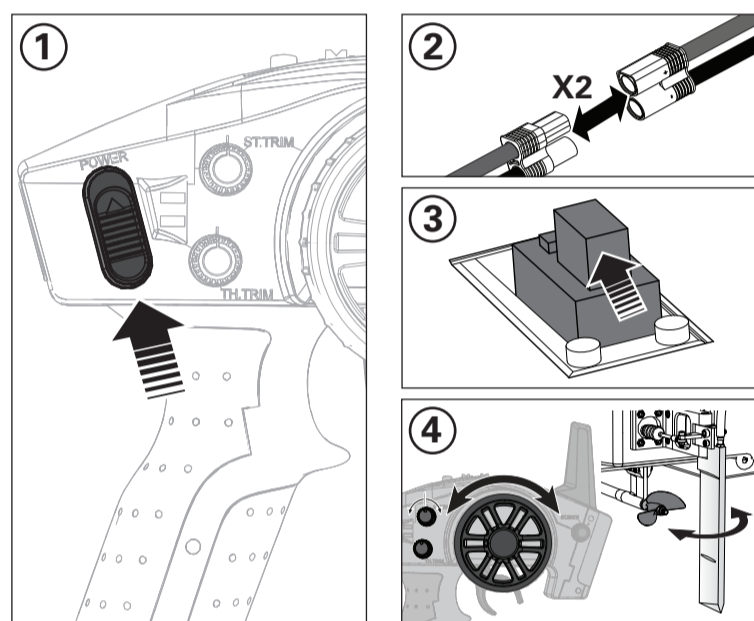
- Loosen the 2 screws on the rear of the canopy.
- Carefully lift the rear of the canopy and pull back to disengage the front pin from the hull.
- Install the battery in the compartment. If running your boat in rougher water conditions, the use of Waterproof Loop Tape (DYNK0300) may help secure the batteries against the foam padding on the battery tray.
- Connect the battery pack to the ESC power connector.

Tip: Move the packs forward or back to adjust the center of gravity for your boat. Move the packs toward the bow so the bow rides lower in the water. Move the packs away from the bow so that the bow rides higher in the water.

2 Powering Up Your Boat

- Power on the transmitter. Ensure the throttle is not reversed and the throttle trim is neutral.
- Connect the two batteries to the EC5™ connectors on the ESC.
- Power on the ESC switch.
- Test the transmitter's control of the boat with the boat on the display stand.

CAUTION: Always keep hands a safe distance from the propeller.



3 Electronic Speed Control (ESC)

ESC Calibration Procedure

The ESC has an auto calibration feature. Calibration is only necessary when rebranding your transmitter or changing to a different transmitter brand.

- Power OFF the ESC.
- Ensure your transmitter is powered ON, the throttle is not reversed, the throttle trim is neutral and the throttle travel range is at 100%. Disable any special functions such as ABS, etc.
- Keep the throttle at neutral and power ON the ESC.
- The ESC automatically calibrates the throttle range after 3 seconds.
- A beep will sound, indicating low voltage cutoff threshold and cell count:

1 beep	Non-protection	3 beeps	3S Li-Po	5 beeps	5S Li-Po	7 beeps	7S Li-Po
2 beeps	2S Li-Po	4 beeps	4S Li-Po	6 beeps	6S Li-Po	8 beeps	8S Li-Po

- One long beep will sound when the ESC is ready to run.

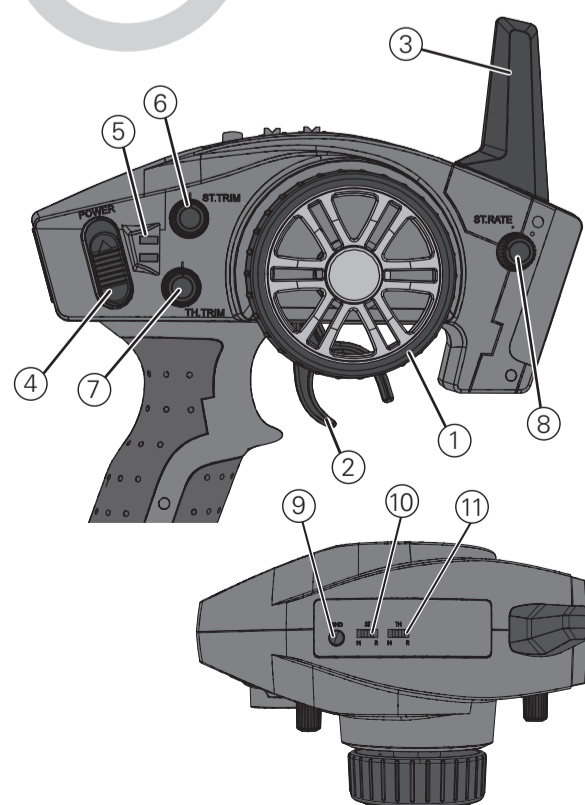
ESC Programming Procedure

Programming can be accomplished using the Dynamite LED Program Card (DYN3005, sold separately) or via the transmitter. Please refer to your DYNM3875 manual for transmitter programming instructions.

Programmable Items	Programmable Value				Default Settings			
	1	2	3	4	5	6	7	8
1 Running Mode	Forward Only	Forward/Reverse						
2 Li-Po Cells	Auto-Calculate	2S	3S	4S	5S	6S	8S	
3 Low Voltage Cutoff Threshold	Non-protection	2.8V/Cell	3.0V/Cell	3.2V/Cell	3.4V/Cell			
4 Timing	0°	3.75°	7.5°	11.25°	15°	18.75°	22.50°	26.25°
5 Motor Rotation	CW	CCW						

4 Transmitter Controls

For more information on the transmitter, go to www.spektrum.com and click on the support tab to find the full manual for the DX2E transmitter.



- Steering Wheel** controls direction (left/right) of the model.
- Throttle Trigger** controls speed.
- Antenna** transmits the signal to the model.
- ON/OFF Switch** turns the power ON/OFF for the transmitter.
- Indicator Lights**
 - Solid green light indicates adequate battery power.
 - Flashing green light indicates the battery voltage is critically low. Replace batteries.
- ST Trim** adjusts the "hands off" direction of the model.
- TH Trim** adjusts the motor speed to OFF at neutral.
- Steering Dual Rate** adjusts the amount the rudder moves when the steering wheel is turned left and right.
- BIND Button** puts the transmitter into Bind Mode.
- ST REV** reverses the function of the steering when the wheel is turned left or right.
- TH REV** reverses the function of the speed control when pulled back or pushed forward.

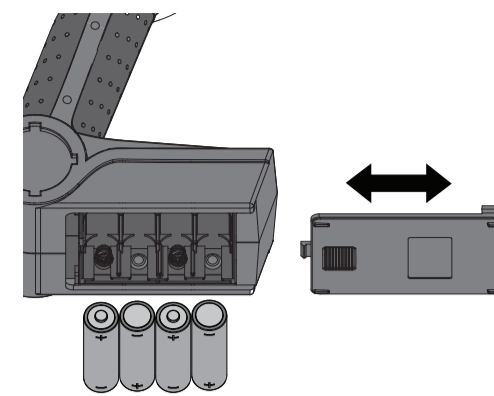
5 Installing Your Transmitter Battery

This transmitter requires 4 AA batteries.

- Remove the battery cover from the transmitter.
- Install the batteries as shown.
- Install the battery cover.

CAUTION: If using rechargeable batteries, charge only rechargeable batteries. Charging non-rechargeable batteries may cause the batteries to burst, resulting in injury to persons and/or damage to property.

CAUTION: Risk of explosion if battery is replaced by an incorrect type. Dispose of used batteries according to national regulations.

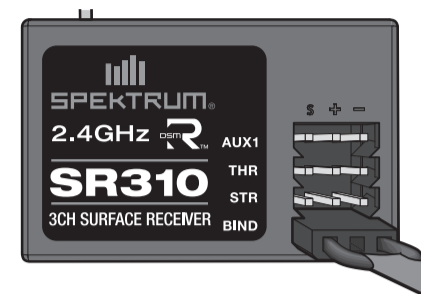


6 Binding

The included transmitter and receiver are bound at the factory. If you need to rebind, follow the instructions below.

- Power off the transmitter and ESC.
- Insert the bind plug into the BIND port on the receiver.
- Connect a fully charged battery to the ESC, then power on the ESC. The orange LED in the receiver flashes continuously, indicating that the receiver is in bind mode.
- With the throttle in neutral, power on your transmitter by pressing the bind button. The orange LED in the receiver turns solid and the ESC will emit tones and arm when binding is complete. The ESC is ready for use.
- Always remove the bind plug from the receiver after binding is complete.

You must rebind when binding the receiver to a different transmitter.



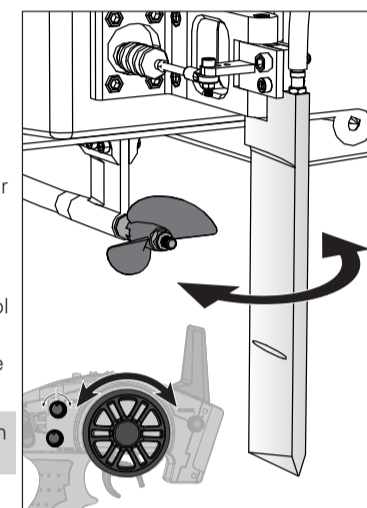
NOTICE: Do not attempt to bind the transmitter and receiver if there are other compatible transmitters in bind mode within 400 feet. Doing so may result in unexpected binding.

7 Range Check

Perform a range check at the beginning of each boating session, after repair or after installation of new batteries.

- With the boat and radio system powered on and connected, walk away from your boat 300 feet (91.44 m).
- Have an assistant remain with the boat to check for proper control movement of the rudder in response to your transmitter input.
- If everything appears to be operating correctly, prepare to operate the boat in the water.

NOTICE: Do not operate the motor without water cooling circulation or damage may result.



8 Drivetrain Lubrication and Maintenance

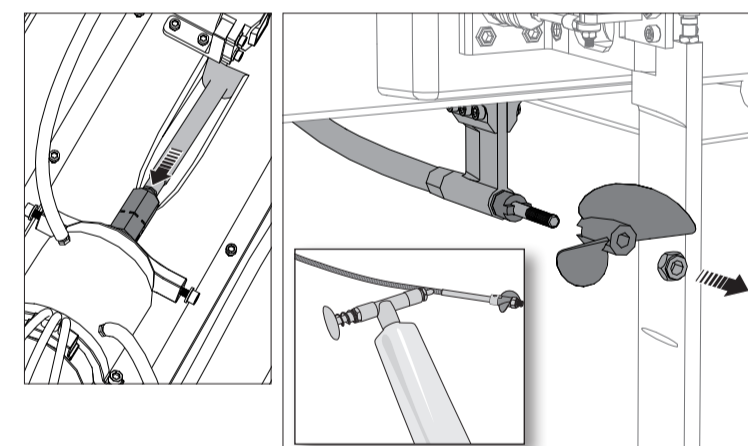
Lubricate the driveshaft and drive strut after every 20 minutes of operation.

- In the hull, use a 12mm and a 13mm open-end wrench to loosen the collet nut from the flex shaft.
- Remove the propeller. Use a paper towel to slide the flex shaft out from the stuffing tube and drive strut at the rear of the boat.
- Wipe the old lubricant and material from the flex shaft.
- Lubricate the full length of the flex shaft assembly up to the drive dog using marine grease (DYNE4200 or DYNE4201). Also apply grease to the collet threads.
- Carefully reinstall the flex shaft into the drive strut, through the stuffing tube and into the collet. If the flex shaft is difficult to remove or install in the collet, spin the collet in the direction that the flex shaft is wound. If you have trouble pushing the flex shaft into the collet, loosen the nut further.

Tip: Spinning the flex shaft as you insert it in to the stuffing tube will help carry the well greased flex shaft into the stuffing tube.

Ensure there is a 3mm gap between the drive strut and drive dog to allow for flex shaft shrinkage under load.

NOTICE: Running the boat in saltwater could cause some parts to corrode. If you run the boat in saltwater, rinse it thoroughly in freshwater after each use and lubricate the drive system.



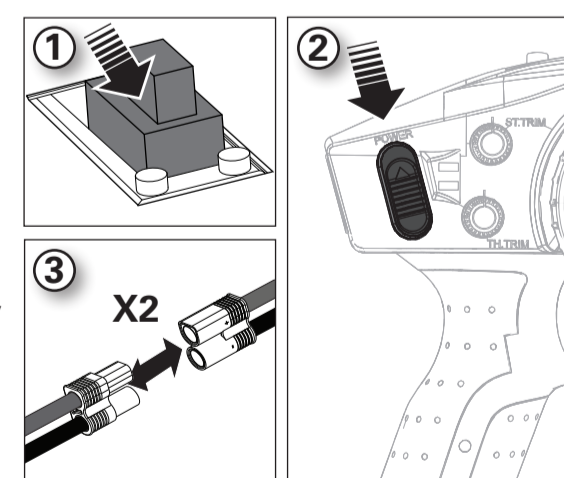
9 When You Are Finished

- Power off the ESC.
- Power off the transmitter.
- Disconnect and remove the battery from the boat.
- Drain water from inside the hull using the drain plug.
- Fully dry the inside and outside of the boat, including the water cooling lines and jacket around the motor.
- Remove the canopy before storage or moisture may allow mold and mildew to grow in the boat.
- Repair any damage or wear to the boat.
- Lubricate the flex shaft using Pro Boat® Marine Grease (DYNE4200 or DYNE4201).
- Make note of lessons learned from the trimming of your boat, including water and wind conditions.

Tip: The hook and loop strips in the boat retain water. To dry them, press on them with a dry cloth.

NOTICE: When you are finished boating, never leave the boat in direct sunlight or in a hot, enclosed area such as a car. Doing so can damage the boat.

For a comprehensive parts list, see the product page on www.horizonhobby.com.



HINWEIS

Alle Anweisungen, Garantien und dazugehörigen Dokumente können ohne Anknüpfung von Horizon Hobby LLC geändert werden. Eine aktuelle Version ersehen Sie bitte im Support Feld unter: <http://www.horizonhobby.com>.

SPEZIELLE BEDEUTUNGEN

Die folgenden Begriffe werden in der gesamten Produktliteratur verwendet, um auf unterschiedlich hohe Gefahrenrisiken beim Betrieb dieses Produkts hinzuweisen: **HINWEIS:** Wenn diese Verfahren nicht korrekt befolgt werden, können sich möglicherweise Sachschäden UND geringe oder keine Gefahr von Verletzungen ergeben. **ACHTUNG:** Wenn diese Verfahren nicht korrekt befolgt werden, ergeben sich wahrscheinlich Sachschäden UND die Gefahr von schweren Verletzungen. **WARNUNG:** Wenn diese Verfahren nicht korrekt befolgt werden, ergeben sich wahrscheinlich Sachschäden, Kollateralschäden und schwere Verletzungen ODER mit hoher Wahrscheinlichkeit oberflächliche Verletzungen.

WARNUNG: Lesen Sie die GESAMTE Bedienungsanleitung, um sich vor dem Betrieb mit den Produktfunktionen vertraut zu machen. Wird das Produkt nicht korrekt betrieben, kann dies zu Schäden am Produkt oder persönlichem Eigentum führen oder schwere Verletzungen verursachen.

Dies ist ein hochentwickeltes Hobby-Produkt. Es muss mit Vorsicht und gesundem Menschenverstand betrieben werden und benötigt gewisse mechanische Grundfähigkeiten. Wird dieses Produkt nicht auf eine sichere und verantwortungsvolle Weise betrieben, kann dies zu Verletzungen oder Schäden am Produkt oder anderen Sachwerten führen. Versuchen Sie nicht ohne Genehmigung durch Horizon Hobby, LLC, das Produkt zu zerlegen, es mit inkompatiblen Komponenten zu verwenden oder auf jegliche Weise zu erweitern. Diese Bedienungsanleitung enthält Anweisungen für Sicherheit, Betrieb und Wartung. Es ist unbedingt notwendig, vor Zusammenbau, Einrichtung oder Verwendung alle Anweisungen und Warnhinweise im Handbuch zu lesen und zu befolgen, damit es ordnungsgemäß betrieben werden kann und Schäden oder schwere Verletzungen vermieden werden.

Altersempfehlung: Nicht für Kinder unter 14 Jahren. Dies ist kein Spielzeug.

Zusätzliche Sicherheitsvorkehrungen und Warnhinweise

Als Benutzer dieses Produkts sind Sie allein dafür verantwortlich, es so zu betreiben, dass es Sie selbst und andere nicht gefährdet und dass es zu keiner Beschädigung des Produkts oder des Eigentums Dritter kommt.

- Fassen Sie beim Handling oder Transport das Boot immer von vorne an und halten alle bewegliche Teile weg vom Körper.
- Halten Sie stets in allen Richtungen einen Sicherheitsabstand von Ihr Modell, um Zusammenstöße oder Verletzungen zu vermeiden. Dieses Modell wird von einem Funksignal gesteuert, das Interferenzen von vielen Quellen außerhalb Ihres Einflussbereichs unterliegt. Diese Interferenzen können einen kurzzeitigen Steuerungsverlust verursachen.
- Betreiben Sie Ihr Modell immer auf einer Freifläche ohne Fahrzeuge in voller Größe, Verkehr oder Menschen.
- Befolgen Sie stets sorgfältig die Anweisungen und Warnhinweise für das Modell und jegliche optionale Hilfsgeräte (Ladegeräte, Akkupacks usw.).
- Bewahren Sie alle Chemikalien, Klein- und Elektroteile stets außerhalb der Reichweite von Kindern auf.
- Setzen Sie Geräte, die für diesen Zweck nicht speziell ausgelegt und geschützt sind, niemals Wasser aus. Feuchtigkeit kann die Elektronik beschädigen.
- Stecken Sie keinen Teil des Modells in den Mund, da dies zu schweren Verletzungen oder sogar zum Tod führen kann.
- Betreiben Sie Ihr Modell nie mit fast leeren Senderakkus.

Spritzwassergeschütztes Boot mit wasserdichter Elektronik

Ihr neues Horizon Hobby Boot wurde mit einer Kombination von wasserdichten und spritzwassergeschützten Komponenten entwickelt die es ihnen ermöglichen das Modell bei ruhigen Bedingungen in Süßwasser zu betreiben.

Obwohl das Boot spritzwassergeschützt ist es nicht vollständig wasserdicht und darf keines Falls wie ein U-Boot behandelt werden. Die verschiedenen elektronischen Komponenten wie der Regler, die Servos und der Empfänger sind wasserdicht, die meisten mechanischen Komponenten sind aber nur spritzwassergeschützt und erfordern nach Betrieb zusätzliche Wartung.

Metallteile, inklusive der Lager, Schrauben und Muttern, Propeller, Ruder, Ruderhalter und Propellerstrebe sowie die Kontakte in den elektrischen Kabeln sind anfällig für Korrosion wenn nach dem Einsatz in feuchter Umgebung zusätzliche Wartungsarbeiten nicht durchgeführt werden. Um die Langzeitleistung ihres Bootes zu maximieren und die Garantie aufrecht zu halten müssen diese Wartungsarbeiten regelmäßig durchgeführt.

ACHTUNG: Unaufmerksamkeit während des Betriebes des Produktes in Zusammenhang mit den folgenden Sicherheitshinweisen kann zu Fehlfunktionen und dem Verlust der Garantie führen.

Allgemeine Sicherheitshinweise

- Bitte lesen Sie sich die Wartungsanleitung sorgfältig durch und stellen sicher, dass Sie alle Werkzeuge für eine Wartung des Bootes haben.
- Nicht alle Akkutypen sind für den Einsatz in feuchter Umgebung geeignet. Fragen Sie dazu vor dem Einsatz den Hersteller des Akkus. Besondere Aufmerksamkeit sollten Sie bei dem Einsatz von LiPo Akkus walten lassen.
- Die meisten Sender sind nicht wasserfest. Sehen Sie bitte dazu vor Inbetriebnahme in der Bedienungsanleitung ihres Senders nach oder kontaktieren Sie den Hersteller.
- Betreiben Sie ihr Boot niemals bei Gewitter.
- Nehmen Sie niemals den Sender bei Blitzen oder Gewitter in Betrieb.

Wartungsanleitung nach Einsatz in feuchter Umgebung

- Nehmen Sie die Kabinenhaube und Ablaufstopfen ab und kippen das Boot in die Richtung des Ablauf bis alles Wasser was sich gesammelt hat abgelaufen ist.

ACHTUNG: Halten Sie immer Hände, Finger, Werkzeuge oder anderen lose, hängende Objekte weg von drehenden Teilen wenn Sie das Boot trocken.

- Entnehmen Sie den Akkupack und trocknen die Kontakte. Sollten Sie einen Kompressor oder Druckluftflasche zur Hand haben blasen Sie damit das Wasser aus den Gehäuseverfaltungen.
- Entfernen Sie alle beweglichen Teile. Trocknen und schmieren Sie die Teile alle 30 Betriebsminuten oder immer dann wenn das Boot ein- oder untergetaucht war.

HINWEIS: Verwenden Sie keinen Hochdruckreiniger um das Fahrzeug zu reinigen.

- Reinigen Sie das Fahrzeug mit Druckluft aus einem Kompressor oder einer Druckluftflasche und entfernen so das Wasser aus den Spalten und Ecken.
- Sprühen Sie die Lager, Wellen, Befestigungen mit WD-40 Öl oder einem vergleichbaren wasserverdrängenden Leichtöl ein.
- Lassen Sie das Fahrzeug vor dem Einlagern vollständig trocknen. Das Abtropfen von Wasser (und Öl) kann durchaus ein paar Stunden dauern.

Spezifikationen

Länge	1244,6mm
Breite	440mm
Rumpfmateral	GFK
Motor	Dynamite® 1000Kv, 6Pol
ESC	Dynamite 160A HV (max 8S)
Sender	Spektrum DX2E 2.4GHz Pistolensender
Empfänger	Spektrum SR310
Akku	Für den Betrieb des Senders sind 4 AA Batterien erforderlich (separat erhältlich) 2x Reaction 11.1V 5000mAh 3S 50C LiPo Hardcase mit EC5 Buchse für 6S Betrieb; 2x Reaction 14.8V 5000mAh 4S 50C LiPo Hardcase oder 2x Reaction 14.8V 6000mAh 4S 80C LiPo Hardcase mit EC5 Buchse für 8 S Betrieb (separat erhältlich)

Akkus und Ladegerät

Wählen Sie für das Boot geeignete Akkus und das dazugehörige Ladegerät. Wir empfehlen Dynamite Reaction 11,1 V 5000mAh oder Dynamite Reaction 14,8V 5000 4S 50C LiPo Akkus oder Dynamite Reaction 14,8 V 6000 4S 80C Akkus. Wir empfehlen hier das Dynamite Prophet Sport Plus 50W AC/DC Ladegerät oder das Dynamite Prophet Sport Duo 2 x 50W AC/DC Ladegerät. Bitte lesen Sie die Sicherheits- und Ladeanweisungen in der Bedienungsanleitung der Ladegeräte.

HINWEIS: Laden Sie niemals ein Akku im Boot, da sonst ein Schaden auftreten könnte.

Niederspannungsabschaltung (LVC)

Das Entladen eines LiPo Akku unter 3 Volt per Zelle kann den Akku beschädigen. Der im Lieferumfang enthaltene Regler schützt den Akku vor Tiefentladung mit der Niederspannungsabschaltung. Das Boot wird sichtbar langsamer. Ist die Niederspannungsabschaltung aktiv empfehlen wir das Boot unverzüglich an das Ufer zu fahren. Ein längeres Fahren mit der Niederspannungsabschaltung beschädigt den Akku.

Trennen Sie nach dem Fahren die LiPo Akkus vom Boot um eine Tiefentladung zu vermeiden. Laden Sie den Akku vor dem Einlagern auf die Hälfte seiner Kapazität.

Stellen Sie während der Ladung sicher, dass die Akkuspannung nicht unter 3 Volt pro Zelle fällt. Die Niederspannungsabschaltung (LVC) schützt den Akku nicht vor Tiefentladung während der Lagerung.

HINWEIS: Das Gas geben nach aktivierter Niederspannungsabschaltung (LVC) sorgt für eine Tiefentladung und könnte den Akku beschädigen.

Tip: Überprüfen Sie die Akkuspannung vor und nach dem Fahren mit dem LiPo Volt-Checker (DYN4071, separat erhältlich).

HINWEIS: Der montierte 52mm Propeller ist für den Betrieb mit 6S Akkus vorgesehen. Der zusätzliche 48mm Propeller ist für den Betrieb mit 8S Akkus vorgesehen. Sollten Sie den 52mm Propeller mit 8S um höhere Geschwindigkeiten über 85 Km/h (55 mph) zu erreichen verwenden muss der Akku mindestens 5000mAh und 50C aufweisen. Der Betrieb des 52mm Propellers auf 8S mit Akkus die ein kleineres Rating haben kann zum Ausfall der Akkus führen. Wie empfehlen 8S Akkus parallel zu schalten um die Kapazität und Fahrzeit zu erhöhen und die Akkutemperatur geringer zu halten.

1 Für den Start

Montage des Antennenröhrchens

Führen Sie die Antenne in das Antennenröhrchen wie abgebildet ein. Knicken Sie das Ende der Antenne nicht über den Rand des Röhrchens und setzen dann die Kappe auf. Zur einwandfreien Funktion muß die Antenne nicht ausserhalb des Röhrchens geführt werden.

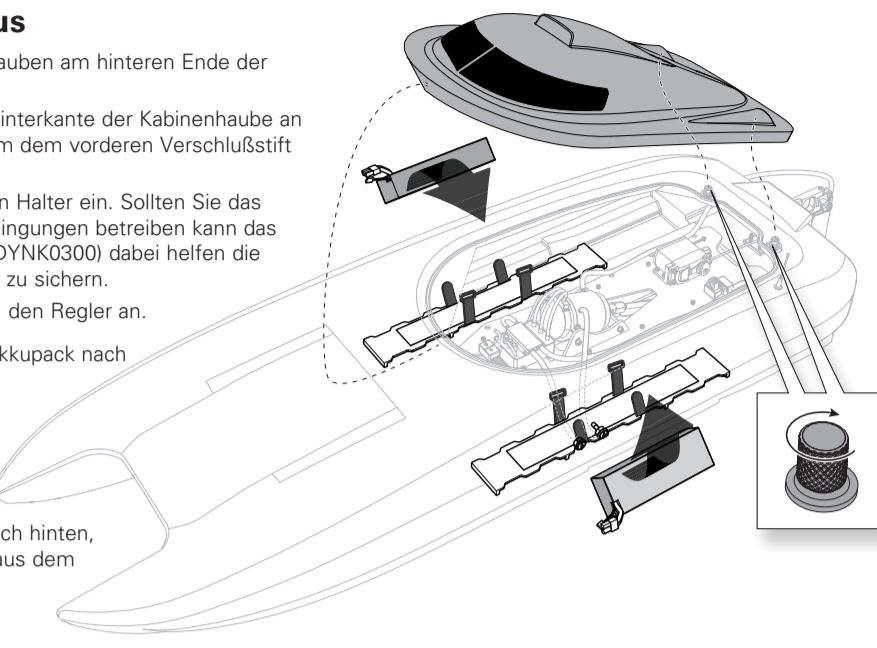
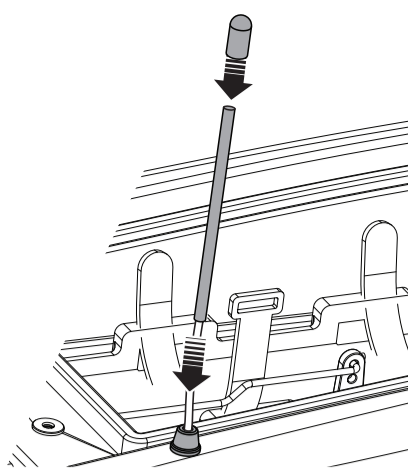
Das Ende der Antenne muß sich für den besten Empfang oberhalb der Wasserlinie befinden. Kleben Sie die Antenne mit transparenten Klebeband (DYNM0102) an falls gewünscht.

HINWEIS: Kürzen oder knicken Sie die Antennen nicht, da sonst die Gefahr von Beschädigungen besteht.

Einsetzen des Akkus

- Lösen Sie die beiden Schrauben am hinteren Ende der Kabinenhaube.
- Heben Sie vorsichtig die Hinterkante der Kabinenhaube an und ziehen diese zurück um dem vorderen Verschlussstift aus der Fassung zu lösen.
- Setzen Sie den Akku in den Halter ein. Sollten Sie das Boot bei rauen Wasserbedingungen betreiben kann das wassererfaste Klettband (DYNK0300) dabei helfen die Akkus auf dem Akkuträger zu sichern.
- Schließen Sie den Akku an den Regler an.

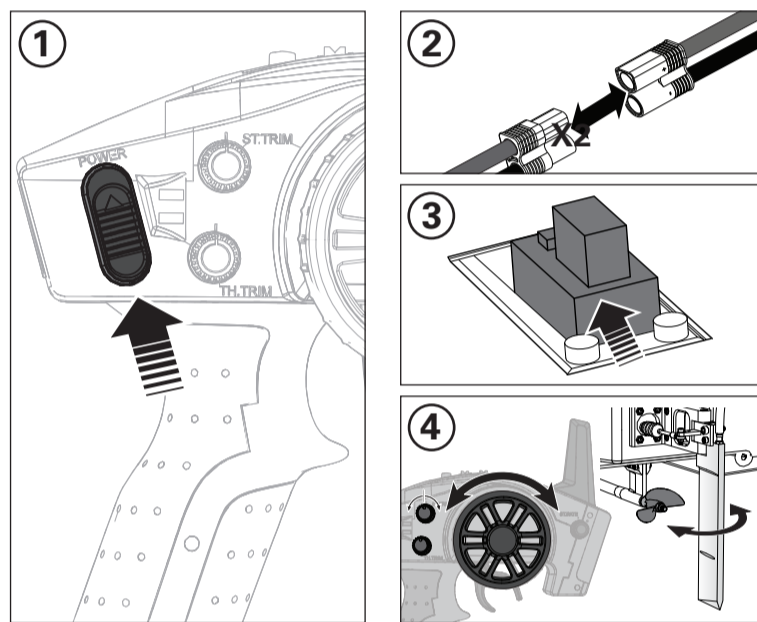
Tip: Bewegen Sie den Akkupack nach vorne oder hinten um den Schwerpunkt des Bootes einzustellen. Schieben Sie die Akkus weiter nach vorne, taucht der Bug tiefer in das Wasser ein. Schieben Sie die Packs nach hinten, hebt sich der Bug weiter aus dem Wasser.



2 Einschalten des Bootes

- Schalten Sie den Sender ein. Bitte stellen Sie sicher, dass der Gaskanal nicht reversiert und die Gastrimmung auf neutral steht.
- Schließen Sie die beiden Akkus an die EC5 Stecker des Reglers an.
- Schalten Sie den Reglerschalter ein.
- Testen Sie die Kontrollen des Bootes auf dem Bootständer.

ACHTUNG: Halten Sie ihre Hände stets in sicherem Abstand zum Propeller.



3 Elektronischer Fahrtenregler

Kalibrieren des Reglers

Der Regler ist mit einer Autokalibrierfunktion ausgestattet. Eine Kalibrierung ist nur notwendig wenn Sie den Sender neu binden oder einen anderen Sender nutzen wollen.

- Schalten Sie den Regler/ESC aus.
- Stellen Sie bitte sicher, dass der Sender eingeschaltet, der Gaskanal nicht reversiert, die Gastrimmung auf Neutral und der Servoweg auf 100% steht. Deaktivieren Sie alle Sonderfunktionen wie ABS et.
- Halten Sie das Gas auf neutral und schalten den Regler ein.
- Der Regler kalibriert automatisch den Gasbereich innerhalb von 3 Sekunden.
- Die Zellenzahl und die Niederspannungsabschaltung wird ihnen mit einem Piepton angezeigt:

1 Ton	Ohne Schutz	3 Ton	3S Li-Po	5 Ton	5S Li-Po	7 Ton	7S Li-Po
2 Ton	2S Li-Po	4 Ton	4S Li-Po	6 Ton	6S Li-Po	8 Ton	8S Li-Po

Ein langer Ton zeigt die Betriebsbereitschaft des Reglers an.

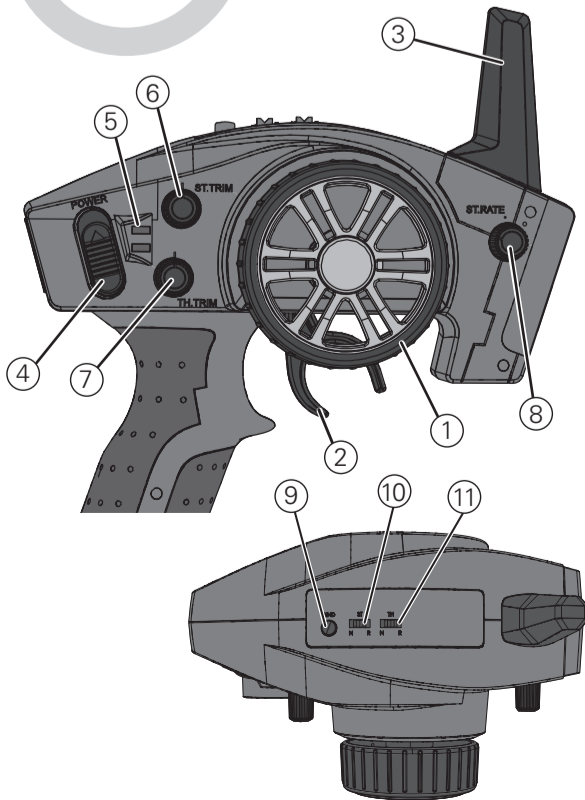
Programmierung des Reglers

Die Programmierung kann mit dem Sender oder über die Dynamite Programmierkarte erfolgen. Bitte lesen Sie für mehr Informationen die DYNM3875 Bedienungsanleitung.

Programmieroptionen	Programmierbare Einstellungen				Standardeinstellungen			
	1	2	3	4	5	6	7	8
1 Betriebsmode	Nur Vorwärts	Vorwärts/Rückwärts						
2 Li-Po Zellen	Auto-Erkennung	2S	3S	4S	5S	6S	8S	
3 Niederspannungsabschaltung	ohne Schutz	2.8V/Zelle	3.0V/Zelle	3.2V/Zelle	3.4V/Zelle			
4 Timing	0°	3.75°	7.5°	11.25°	15°	18.75°	22.50°	26.25°
5 Drehrichtung Motor	CW	CCW						

4 Senderkontrollen

Für mehr Informationen besuchen Sie bitte www.spektrumrc.com und klicken zum laden und lesen der Bedienungsanleitung auf den Support Reiter.



- Mit dem Lenkrad** kontrollieren Sie die Richtung (Links / Rechts) des Modells.
- Mit dem Gashebel** kontrollieren Sie die Geschwindigkeit und Richtung (Vorwärts/ Bremse / Rückwärts) des Modells.
- Die Antenne** überträgt das Signal zum Modell.
- Der ON / OFF Schalter** schaltet die Fernsteuerung ON = Ein und OFF = Aus.
- Indikator LED**
 - Leuchtende Grüne LED zeigt ausreichende Batterieleistung.
 - Blinkende grüne LED zeigt kritische Batteriespannung. Ersetzen Sie die Batterien.
- Der ST Trim** Drehknopf regelt den Geradauslauf ohne Lenkeingabe.
- Der TH Trim** Die Gastrimmung regelt den Motor auf AUS bei Neutralstellung.
- Dual Rate Lenkung:** Regelt die Größe des Ruderausschlages wenn das Lenkrad nach Links und Rechts bewegt wird.
- BIND Button** puts the transmitter into Bind Mode.
- Binde Button:** aktiviert den Bindemodus des Senders.
- TH REV** reversiert die Gasfunktion wenn der Hebel nach vorne oder nach hinten gedrückt wird.

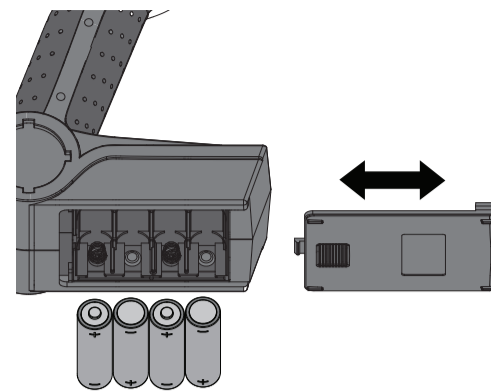
5 Einsetzen der Senderbatterien

Für den Betrieb sind 4 AA Batterien erforderlich.

- Nehmen Sie die Batteriekappe vom Sender ab.
- Setzen Sie die Batterien wie abgebildet ein.
- Setzen Sie die Batteriekappe wieder auf.

ACHTUNG: Wenn Sie wiederaufladbare Akkus verwenden dürfen Sie nur diese laden. Das Laden von nicht aufladbaren Batterien könnte diese zur Explosion bringen, was Sach- und Personenschäden zur Folge haben könnte.

ACHTUNG: Es besteht Explosionsrisiko wenn die Akkus durch einen falschen Typ ersetzt werden. Entsorgen Sie verbrauchte Batterien den Vorschriften entsprechend.

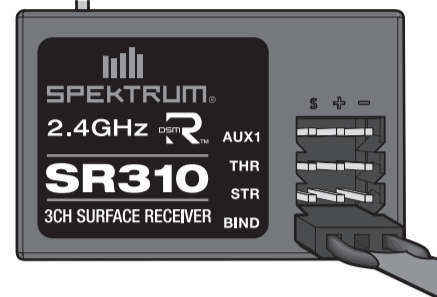


6 Binden

Der im Lieferumfang enthaltene Sender und Empfänger ist bereits ab Werk gebunden. Sollten Sie die Bindung erneut durchführen wollen, folgen Sie bitte den unten stehenden Anweisungen.

- Schalten Sie den Regler (ESC) und Sender aus.
- Stecken Sie den Bindestecker in den BIND Port des Empfängers.
- Schließen Sie einen vollständig geladenen Akku an den Regler an und schalten ihn dann ein. Die orange LED auf dem Empfänger blinkt und zeigt damit an, dass sich der Empfänger im Bindemodus befindet.
- Schalten Sie den Sender mit neutralen Kontrollen und gedrückter Bindetaste ein. Ist der Bindevorgang durchgeführt leuchtet die LED dauerhaft und der Regler gibt eine Tonserie ab um anzuzeigen dass die Armierung erfolgt ist. Der Regler ist nun betriebsbereit.
- Nehmen Sie nach dem Binden den Bindestecker aus dem Empfänger.

Wenn Sie den Empfänger mit einem anderen Sender nutzen wollen müssen Sie die Bindung erneut durchführen.



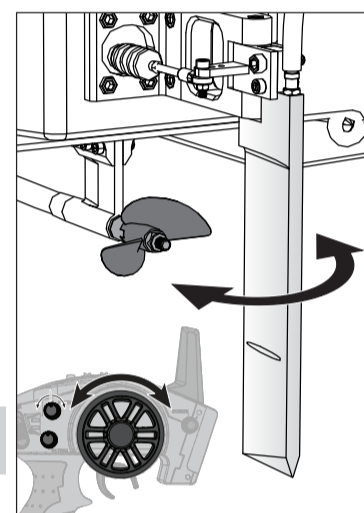
HINWEIS: Versuchen Sie nicht den Sender mit dem Empfänger zu binden wenn andere kompatible Sender in einem Umkreis von 120 Metern ebenfalls im Bindemodus sind. Dieses könnte zu ungewollten Bindungen führen.

7 Reichweitentest

Führen Sie zum Anfang jeder Saison nach Reparaturen oder dem Einsetzen eines neuen Akkus einen Reichweitentest durch.

- Entfernen Sie sich mit eingeschalteter Fernsteuerung und Empfänger 92m (300 feet) vom Boot.
- Bitte Sie einen Helfer bei dem Boot zu bleiben und die Ruderreaktionen zu den Steuerungsgaben am Sender zu prüfen.
- Sollte alles korrekt funktionieren, können Sie das Boot für den Betrieb in das Wasser setzen.

HINWEIS: Lassen Sie den Motor nicht ohne Wasserkühlung laufen, da er sonst beschädigt werden kann.



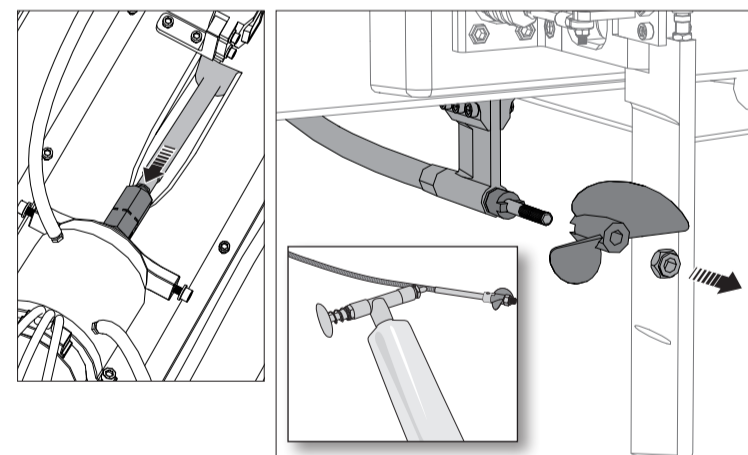
8 Wartung und Pflege des Antriebes

Schmieren Sie die Welle und Mitnehmer alle 20 Betriebsminuten.

- Verwenden Sie im Rumpf einen 12mm und 13mm Maulschlüssel um den Mitnehmer von der Flexwelle zu lösen.
- Nehmen Sie den Propeller ab. Wischen Sie mit einem Papiertuch die Welle und den Mitnehmer ab.
- Wischen Sie altes Fett und sonstige Ablagerungen von der Flexwelle ab.
- Schmieren Sie volle Länge der Flexwelle bis zur Strebe mit Marinefett. Schmieren Sie ebenfalls das Gewinde des Mitnehmers mit Marinefett (DYNE4200 oder DYNE4201).
- Führen Sie die Welle durch den Mitnehmer und das Stevenrohr und die Kupplung ein. Sollte sich die Welle schlecht in die Kupplung einföhren lassen drehen Sie diese in die Flechtrichtung oder öffnen den Mitnehmer weiter.
 - Tip:** Wenn Sie die Welle bei dem Einföhren drehen verteilt sich das Fett leichter und besser im Stevenrohr.

Bitte sorgen Sie dafür, dass ein 3mm großer Spalt zwischen Propellerstrebe und Propellermitnehmer ist, so dass die Welle unter Last etwas schrumpfen kann.

HINWEIS: Wenn Sie das Boot in Salzwasser fahren, können einige Teile korrodieren. Wenn Sie das Boot in Salzwasser fahren, müssen Sie es nach jeder Verwendung gründlich in Süßwasser auswaschen und das Antriebssystem schmieren.



9 Nach dem Fahren

- Schalten Sie den Regler (ESC) aus.
- Schalten Sie den Sender aus.
- Trennen und entfernen Sie den Akku aus dem Boot.
- Ziehen Sie den Ablaufstöpsel und entfernen das Wasser aus dem Boot.
- Lassen Sie das Boot vollständig innen und aussen trocknen, inklusive der Kühlleitungen und Kühlwicklung um den Motor.
- Nehmen Sie immer vor dem Einlagern die Kabinenhaube ab, da sich sonst durch Restfeuchte Schimmel im Boot bilden kann.
- Reparieren Sie Schäden oder Abnutzungen.
- Fetten Sie die Welle mit Pro Boat Marine Fett (DYNE4200 oder DYNE4201).
- Machen Sie sich Notizen über den Trimm des Bootes und die Wasser- und Windbedingungen.

Tip: Die Klettstreifen im Boot nehmen Wasser auf. Drücken Sie ein trockenes Tuch darauf um sie zu trocknen.

HINWEIS: Lassen Sie nach dem Fahren das Boot niemals in der Sonne. Lagern Sie das Boot nicht in geschlossenen heißen Räumen wie zum Beispiel einem Auto. Das könnte das Boot beschädigen.

Eine ausführliche Teileliste können Sie auf der Produktseite von www.horizonhobby.com ersehen

REMARQUE
Toutes les instructions, garanties et autres documents de garantie sont sujets à la seule discrétion de Horizon Hobby, LLC. Veuillez, pour une documentation produit bien à jour, visiter le site internet <http://www.horizonhobby.com>.

SIGNIFICATION DE CERTAINS TERMES SPÉCIFIQUES
Les termes suivants servent, tout au long de la littérature produits, à désigner différents niveaux de blessures potentielles lors de l'utilisation de ce produit :
REMARQUE : procédures qui, si elles ne sont pas suivies correctement, peuvent entraîner des dégâts matériels ET éventuellement un faible risque de blessures.
ATTENTION : procédures qui, si elles ne sont pas suivies correctement, peuvent entraîner des dégâts matériels ET des blessures graves.
AVERTISSEMENT : procédures qui, si elles ne sont pas suivies correctement, peuvent entraîner des dégâts matériels, des dommages collatéraux et des blessures graves OU engendrer une probabilité élevée de blessure superficielle.

AVERTISSEMENT : Lisez la TOTALITÉ du manuel d'utilisation afin de vous familiariser avec les caractéristiques du produit avant de le faire fonctionner. Une utilisation incorrecte du produit peut avoir comme résultat un endommagement du produit lui-même, celui de propriétés personnelles voire entraîner des blessures graves.

Ceci est un produit de loisirs perfectionné et NON PAS un jouet. Il doit être manipulé avec prudence et bon sens et requiert quelques aptitudes de base à la mécanique. L'incapacité à manipuler ce produit de manière sûre et responsable peut provoquer des blessures ou des dommages au produit ou à d'autres biens. Ce produit n'est pas destiné à être utilisé par des enfants sans la surveillance directe d'un adulte. Ne pas essayer de désassembler le produit, de l'utiliser avec des composants incompatibles ou d'en améliorer les performances sans l'approbation de Horizon Hobby, LLC. Ce manuel comporte des instructions de sécurité, d'utilisation et d'entretien. Il est capital de lire et de respecter toutes les instructions et avertissements du manuel avant l'assemblage, le réglage ou l'utilisation afin de le manipuler correctement et d'éviter les dommages ou les blessures graves.

14 ans et plus. Ceci n'est pas un jouet.

Précautions et Avertissements Supplémentaires Liés à la Sécurité

En tant qu'utilisateur de ce produit, il relève de votre seule responsabilité de le faire fonctionner de façon à préserver votre sécurité ainsi que celle des autres personnes et de manière à ne pas endommager le produit ni à occasionner de dégâts matériels à l'égard d'autrui.

- Toujours tenir le bateau par l'avant quand vous le manipulez et/ou transportez afin d'éloigner de vous les parties mobiles.
- Maintenez toujours une distance de sécurité adéquate dans toutes les directions autour de votre modèle afin d'éviter les collisions et blessures. Ce modèle est contrôlé par un signal radio, qui peut être soumis à des interférences provenant de nombreuses sources hors de votre contrôle. Les interférences sont susceptibles d'entraîner une perte de contrôle momentanée.
- Faites toujours fonctionner votre modèle dans des espaces dégagés, à l'écart des véhicules, de la circulation et des personnes.
- Respectez toujours scrupuleusement les instructions et avertissements relatifs à votre modèle et à tous les équipements complémentaires optionnels utilisés (chargeurs, packs de batteries rechargeables, etc.).
- Tenez toujours tous les produits chimiques, les petites pièces et les composants électriques hors de portée des enfants.
- Évitez toujours d'exposer à l'eau tout équipement non conçu et protégé à cet effet. L'humidité endommage les composants électroniques.
- Ne mettez jamais aucune partie du modèle dans votre bouche. Vous vous exposeriez à un risque de blessure grave, voire mortelle.
- Ne faites jamais fonctionner votre modèle lorsque les batteries de l'émetteur sont faibles.

Bateau équipé d'une électronique étanche

Votre nouveau bateau Horizon Hobby a été conçu et fabriqué en combinant des composants étanches et des composants résistants à l'eau vous permettant d'utiliser ce produit en eau douce par conditions calmes.

Bien que le bateau possède une grande résistance vis à vis de l'eau, il n'est pas entièrement étanche et votre bateau ne doit PAS être immergé comme un sous-marin. Les différents composants électroniques installés dans le bateau (le ou les servo(s) et le récepteur) sont étanches, cependant la plupart des composants mécaniques résistent aux projections d'eau mais nécessitent une maintenance après utilisation.

Les pièces métalliques comme les roulements, les axes, les vis, les écrous, l'hélice, le gouvernail, le support de gouvernail et la chaise d'hélice ainsi que les contacts des prises des câbles électriques sont exposés à l'oxydation si vous n'effectuez un entretien soigné après avoir utilisé le bateau. Pour conserver à long terme les performances de votre bateau et conserver la garantie, les procédures décrites dans la section « Maintenance après utilisation » doivent être systématiquement effectuées à la fin de chaque journée d'utilisation.

ATTENTION : un défaut de soin durant l'utilisation et un non-respect des consignes suivantes peut entraîner un dysfonctionnement du produit et/ou annuler la garantie.

Précautions générales

- Lisez avec attention les procédures de maintenance et vérifiez que vous possédez tous les outils nécessaires pour effectuer la maintenance du bateau.
- Toutes les batteries ne peuvent être utilisées en conditions humides. Consultez la documentation du fabricant de votre batterie avant utilisation. N'utilisez pas des batteries Li-Po dans des conditions humides nécessite une attention particulière.
- La majorité des émetteurs ne résistent pas aux projections d'eau. Consultez le manuel ou le fabricant de votre émetteur avant utilisation.
- Ne jamais utiliser votre émetteur ou votre bateau sous un orage.
- L'eau salée est très conductrice et corrosive. Si vous décidez d'utiliser votre bateau en eau salée, rincez-le à l'eau douce immédiatement après utilisation. L'utilisation du bateau en eau salée est sous l'entière responsabilité de l'utilisateur.

Maintenance après utilisation

- Évacuez l'eau présente dans la coque en retirant le bouchon d'évacuation ou le couvercle et en inclinant le bateau dans la direction appropriée pour assurer l'évacuation de l'eau.

ATTENTION : Toujours tenir éloigné des parties en rotation, les mains, les doigts, les outils ou autre objet suspendu.

- Retirez la batterie et séchez ses contacts. Si vous possédez un compresseur d'air ou une bombe d'air comprimé, chassez toute l'humidité qui se trouve dans la prise.
- Retirez le flexible et toutes les parties mobiles. Séchez et lubrifiez les éléments après toutes les 30 minutes d'utilisation ou si le bateau s'est retrouvé immergé.

REMARQUE : Ne jamais utiliser un nettoyeur haute pression pour nettoyer le bateau.

- Utilisez un compresseur d'air ou une bombe d'air comprimé pour sécher le bateau et vous aider à retirer l'eau logée dans les recoins et sur la visserie.
- Pulvérisez du lubrifiant anti-humidité sur les roulements, la visserie et autres pièces métalliques.
- Laissez le bateau sécher avant de le ranger. L'eau (et l'huile) peuvent continuer à s'écouler durant quelques heures.

Caractéristiques

Longueur	1244.6mm
Largeur	440mm
Matériau de la coque	Fibre de verre
Moteur	Dynamite 6-pôles 1000Kv
Variateur	Dynamite 160-amp (8S maximum)
Émetteur	Pistolet Spektrum DX2E 2.4GHz
Récepteur	Spektrum SR310
Piles	4 piles AA (vendues séparément) sont nécessaires pour l'émetteur ; 2 batteries Reaction Li-Po 3S 11.1V 5000mA 50C boîtier rigide avec prise EC5 (pour 6S) ; 2 batteries Reaction Li-Po 4S 14.8V 5000mA 50C boîtier rigide ou 2 batteries Reaction Li-Po 4S 14.8V 6000mA 80C boîtier rigide avec prise EC5 (pour 8S) (vendues séparément)

Batterie et chargeur

Choisissez une batterie et un chargeur appropriés à votre bateau. Nous recommandons soit une batterie Li-Po Dynamite Reaction 3S 11.1V 5000mA 50C soit une batterie Li-Po Dynamite Reaction 4S 14.8V 5000mA 50C ou une batterie Li-Po Dynamite Reaction 4S 14.8V 6000mA 80C. Nous vous recommandons le chargeur Dynamite Prophet Sport plus 50W AC/DC ou le chargeur Dynamite Prophet Duo 2x50W. Consultez le manuel du chargeur pour les instructions relatives à la charge et les consignes de sécurité.

REMARQUE : Ne jamais effectuer la charge de la batterie en la laissant dans la coque du bateau, sous peine d'endommagement.

Coupe basse tension (LVC)

La décharge d'une batterie Li-Po en dessous de 3V par élément l'endommagera. Le contrôleur installé dans le bateau protège la batterie d'une décharge trop importante en utilisant la fonction de coupe basse tension. Avant que la tension de la batterie soit à la valeur minimale approuvée, la puissance du moteur sera limitée. Le bateau ralentira significativement. Une fois que le LVC est activé, nous vous recommandons de ramener immédiatement le bateau sur la rive. Ne continuez pas la navigation après que le bateau ait ralenti au risque d'endommager votre batterie.

Toujours déconnecter et retirer la batterie du bateau après utilisation afin de limiter l'auto-décharge de la batterie. Chargez la batterie à la moitié de sa capacité maximale avant de l'entreposer. Durant le stockage, contrôlez que la tension ne chute pas sous 3V par élément. Le LVC ne permet pas d'éviter l'auto-décharge de la batterie durant le stockage.

REMARQUE : Forcer la commande des gaz quand le LVC est activé entraînera une décharge importante de la batterie et elle risque d'être endommagée.

Conseil : Mesurez la tension des batteries avant et après utilisation à l'aide d'un voltmètre Li-Po (DYN4071, vendu séparément).

REMARQUE : L'hélice 52mm installée est prévue pour une utilisation combinée avec les batteries Li-Po 6S. L'hélice additionnelle de 48mm est prévue pour une utilisation combinée avec les batteries Li-Po 8S. Lorsque vous utilisez l'hélice 52mm avec une batterie 8S pour dépasser les 90km/h, vous devez utiliser une batterie Li-Po d'au moins 5000mA, 50C. L'utilisation de l'hélice 52mm avec une batterie 8S peut entraîner une chute rapide de la tension et endommager la batterie. Nous vous recommandons d'utiliser du 8S en série afin d'améliorer l'efficacité, l'autonomie et de réduire la température des batteries.

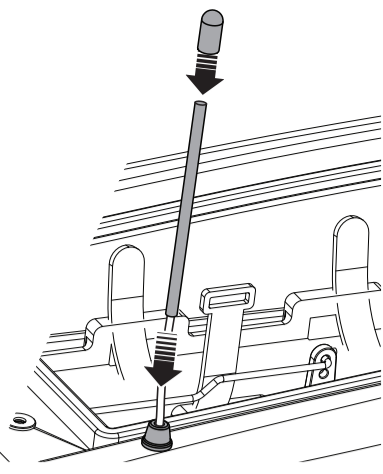
1 Démarrage

Installation du tube d'antenne

Glissez l'antenne dans le tube comme sur l'illustration. Ne tordez pas le bout de l'antenne sur le tube antenne avant de mettre de bouchon par dessus. L'antenne n'a pas besoin d'être à l'extérieur du tube pour fonctionner correctement.

Toujours placer l'extrémité de l'antenne au dessus de la ligne de flottaison du bateau afin d'assurer la meilleure réception. Vous pouvez utiliser de l'adhésif transparent (DYNM0102) si vous le souhaitez.

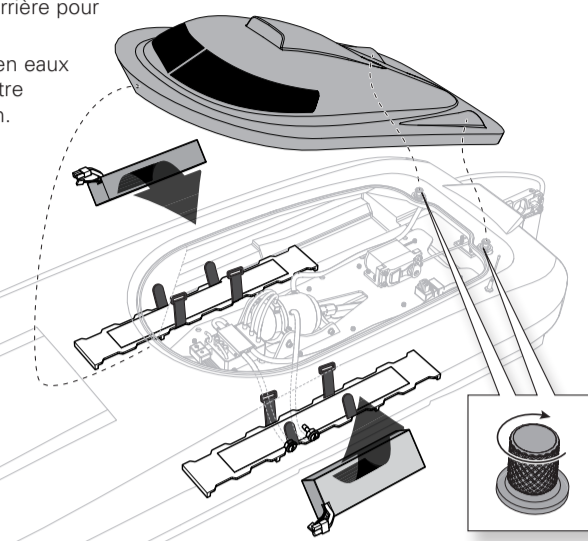
REMARQUE : Ne pas couper ou torsader l'antenne sous peine de l'endommager.



Installation de la batterie

- Desserrez les 2 molettes situées à l'arrière du cockpit.
- Soulevez délicatement l'arrière du cockpit et tirez-le vers l'arrière pour désengager les plots de centrage de la coque.
- Glissez la batterie dans le compartiment. Si vous naviguez en eaux agitées, placez de la bande auto-agrippante (DYNK0300) entre la batterie et la mousse du support afin d'assurer sa fixation.
- Connectez la batterie au contrôleur.

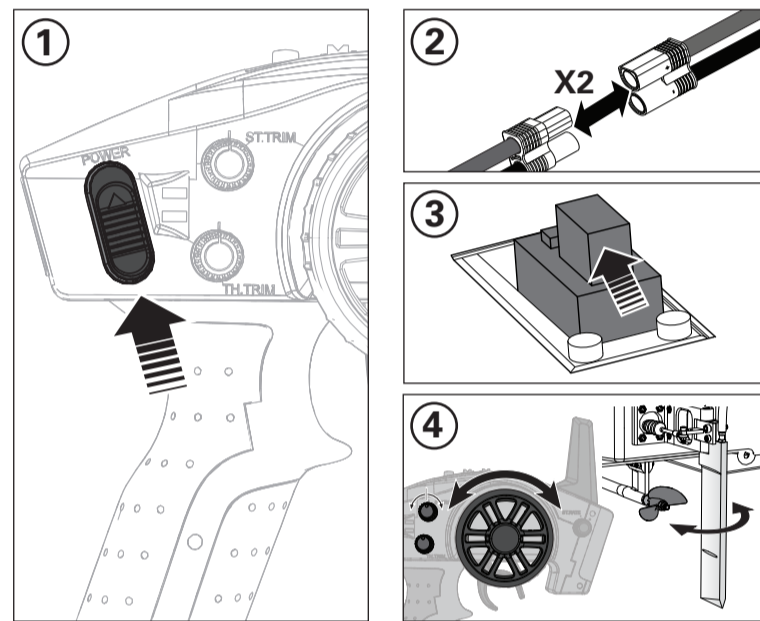
Conseil : Déplacez les batteries vers l'avant ou l'arrière pour régler le centre de gravité de votre bateau. Déplacez les batteries vers l'avant du bateau pour augmenter l'accélération initiale, pour éliminer les oscillations ou le rebond et augmenter la stabilité. Déplacez les batteries vers l'arrière du bateau pour permettre à la proue de se relever hors de l'eau pour augmenter la vitesse.



2 Mise en marche de votre bateau

- Mettez le contrôleur sous tension. Contrôler que la voie des gaz n'est pas inversée et qu'elle est bien au neutre.
- Connectez les 2 batteries aux connecteurs EC5 du contrôleur.
- Mettez le contrôleur sous tension.
- Testez les commandes du bateau en le plaçant sur son support.

ATTENTION : Toujours garder les mains à l'écart de l'hélice.



3 Variateur électronique de vitesse (ESC)

Procédure de calibration du contrôleur

Le contrôleur a une fonction de calibrage automatique. Le calibrage est seulement nécessaire si vous réaffectez votre émetteur ou si vous changez de marque d'émetteur.

- Mettez le contrôleur hors tension.
- Contrôlez que votre émetteur est bien sous tension, que le voie des gaz n'est pas inversée, que le trim est au neutre et que la course est à 100%. Désactivez toutes les fonctions spéciales comme l'ABS par exemple.
- Laissez la commande des gaz au neutre et mettez le contrôleur sous tension.
- Le contrôleur va automatiquement calibrer les fins de course dans un délai de 3 secondes.
- Une tonalité sera émise pour indiquer le nombre d'éléments de la batterie et le seuil de la coupe basse tension:

1 bip	Pas de protection	3 bips	3S Li-Po	5 bips	5S Li-Po	7 bips	7S Li-Po
2 bips	2S Li-Po	4 bips	4S Li-Po	6 bips	6S Li-Po	8 bips	8S Li-Po

Un bip long sera émis quand le contrôleur sera prêt.

Procédure de programmation du contrôleur

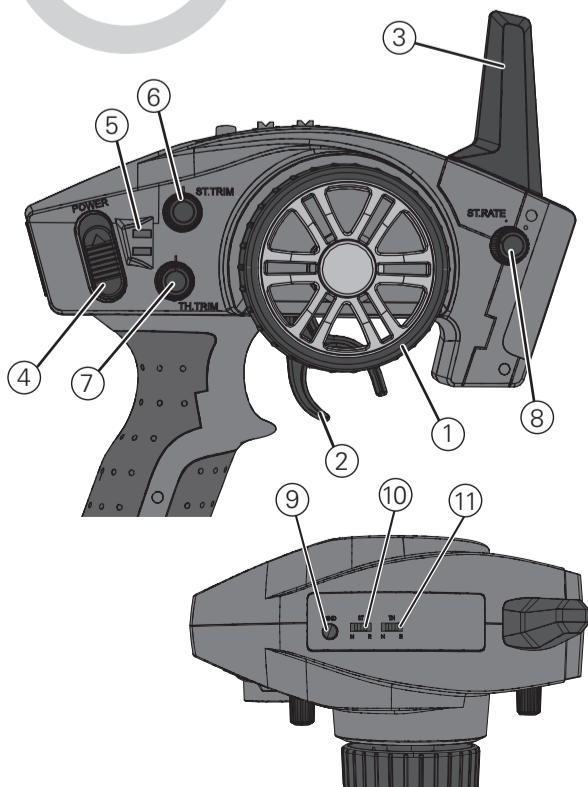
Il est possible de programmer le contrôleur à l'aide de la carte de programmation Dynamite (DYN3005, vendue séparément) via l'émetteur. Veuillez consulter le manuel de votre DYNM3875 pour les instructions de programmation du contrôleur.

Articles Programmables	Valeurs programmables				Par défaut			
	1	2	3	4	5	6	7	8
1 Mode de Fonctionnement	Marche avant seule	Marche avant/ Marche arrière						
2 Nombre d'éléments Li-Po	Automatique	2S	3S	4S	5S	6S	8S	
3 Coupeure Basse Tension	Non-protection	2.8V/élément	3.0V/élément	3.2V/élément	3.4V/élément			
4 Avance	0°	3.75°	7.5°	11.25°	15°	18.75°	22.50°	26.25°
5 Rotation du moteur	CW	CCW						

4 Commandes de l'émetteur

Pour des informations complémentaires relatives à l'émetteur, visitez www.spektrumrc.com et cliquez sur l'onglet support pour télécharger la notice complète de l'émetteur DX2E.

- Volant de Direction** contrôle la direction (gauche droite du modèle).
- Gâchette des Gaz** contrôle la puissance du moteur (marche avant/frein).
- Antenne** transmet le signal au modèle.
- Interrupteur ON/OFF** commande l'alimentation de l'émetteur.
- Indications Lumineuses**
 - DEL verte indique la tension adéquate des piles.
 - DEL verte clignote signifie que la tension des piles est critique. Remplacez les piles.
- ST.Trim** permet de régler le neutre de la direction.
- TH.Trim** Trim des gaz permet de régler le neutre du moteur.
- Débattement de Direction** permet de régler le débattement du gouvernail quand le volant est tourné à gauche et à droite.
- Bouton affectation** Place l'émetteur en mode affectation.
- Bouton Affectation (BIND)** permet de placer l'émetteur en mode affectation et de démarrer.
- TH.REV** Inverse le fonctionnement de la commande des gaz quand la gâchette est pressée ou poussée.



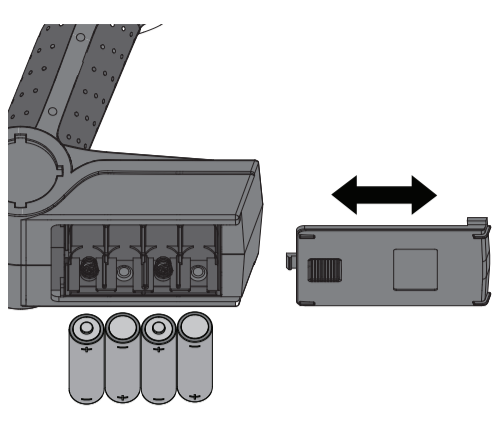
5 Installation des piles de l'émetteur

Cet émetteur nécessite 4 piles AA.

- Retirez le couvercle du compartiment à piles.
- Insérez les piles comme sur l'illustration.
- Remplacez le couvercle.

ATTENTION : Si vous utilisez des piles rechargeables, chargez seulement des piles rechargeables. La charge de piles non rechargeables peut causer un incendie, entraînant des blessures corporelles et/ou des dégâts matériels.

ATTENTION : Risque d'explosion si la batterie est remplacée par un type de batterie non conforme. Éliminer les batteries usagées selon les réglementations nationales.

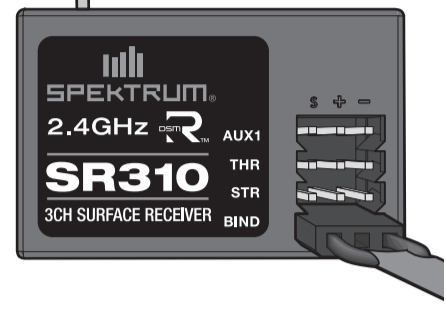


6 Affectation

L'émetteur et le récepteur fournis sont déjà affectés à l'usine. Si vous devez procéder à une réaffectation, suivez les instructions ci-après.

- Mettez votre émetteur et contrôleur hors tension.
- Insérez la prise d'affectation dans le port BIND du récepteur.
- Branchez une batterie complètement chargée à votre contrôleur, puis mettez le contrôleur sous tension. La DEL orange du récepteur clignotera indiquant que le récepteur est en mode Affectation.
- Avec les gaz au neutre, mettez votre émetteur sous tension en appuyant sur le bouton Affectation (Bind). La DEL orange du récepteur sera fixe et le contrôleur émettra des tonalités et s'armera lorsque l'affectation est terminée. Le contrôleur est prêt à l'emploi.
- Toujours retirer la prise Bind du récepteur dès que l'affectation est terminée.

Vous devez effectuer une réaffectation quand vous utilisez le récepteur avec un émetteur différent.



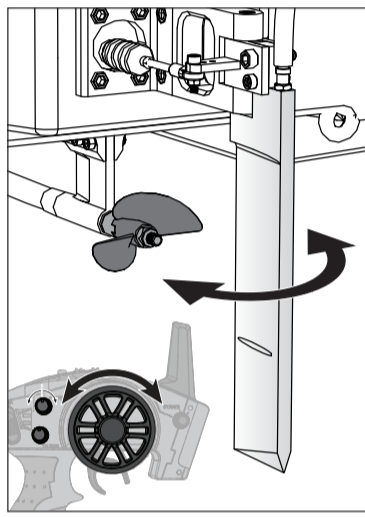
REMARQUE : Ne tentez pas d'affecter un émetteur et un récepteur s'il y a d'autres émetteurs compatibles sont en mode affectation dans un rayon de 120m. Si vous ne respectez pas cette consigne, vous risquez de ne pas être affecté au bon émetteur.

7 Test de portée radio

Effectuez un test de portée radio au début de chaque session, ou après avoir effectué une réparation ou après avoir remplacé la batterie de réception.

- Avec le bateau et la radio sous tension et connectés, éloignez-vous d'une distance de 92m de votre bateau.
- Demandez à un assistant de rester à côté du bateau pour surveiller la réponse des commandes aux ordres donnés par l'émetteur.
- Si tout fonctionne correctement, vous pouvez vous préparer à utiliser le bateau sur l'eau.

REMARQUE : Ne jamais faire fonctionner le moteur sans son refroidissement liquide.



8 Lubrification et maintenance de la transmission

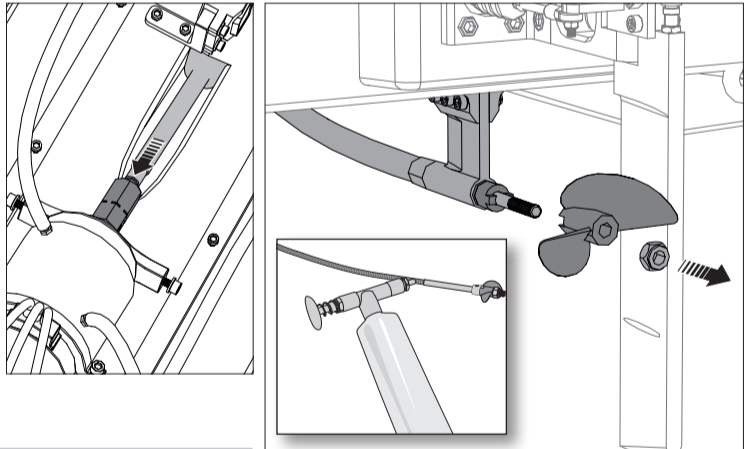
Lubrifiez l'arbre de transmission et la barre de direction après toutes les 20 minutes d'utilisation.

- Utilisez une clé plate de 12mm et 13mm pour desserrer l'accouplement du flexible à l'intérieur de la coque.
- Retirez l'hélice. Utilisez de l'essuie-tout pour retirer le flexible du presse étoupe et barre de direction par l'arrière du bateau.
- Essuyez l'ancien lubrifiant et les salissures présentes sur le flexible.
- Lubrifiez le flexible sur toute sa longueur jusqu'à l'entraîneur en utilisant de la graisse marine (DYNE4200 or DYNE4201). Appliquez également de la graisse sur le filetage de l'accouplement.
- Reinstallez le flexible délicatement dans l'arbre de transmission par le presse étoupe et dans l'écrou d'accouplement. Si le flexible est difficile à retirer ou à installer dans l'écrou, tournez l'écrou dans le sens de torsion du flexible. Si vous avez du mal à pousser le flexible dans l'écrou, desserrez encore l'écrou d'accouplement.

Conseil : Tourner le flexible lorsque vous l'insérez dans le presse étoupe aidera à faire passer le flexible bien graissé dans le presse étoupe.

Assurez-vous de laisser un écart de 3mm entre l'entraîneur et la chaise d'hélice pour compenser le raccourcissement du flexible sous la charge.

REMARQUE : L'utilisation du bateau en eau salée peut causer la corrosion de certaines pièces. Si vous utilisez votre bateau en eau salée, après chaque utilisation vous devrez le rincer abondamment avec de l'eau fraîche et lubrifier sa transmission.



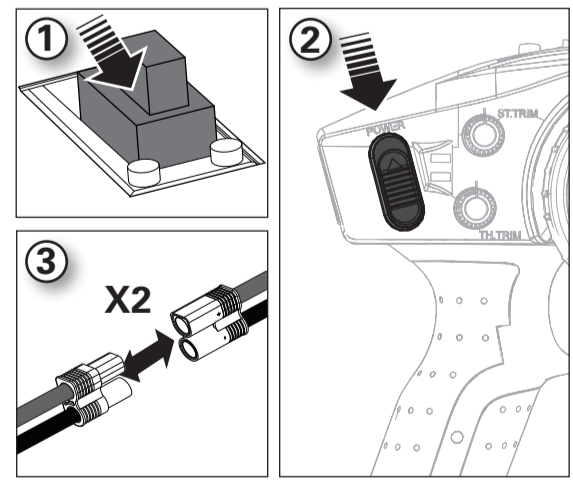
9 Après la navigation

- Mettez le contrôleur hors tension.
- Mettez l'émetteur hors tension.
- Déconnectez et retirez la batterie du bateau.
- Retirez l'eau de l'intérieur de la coque à l'aide du bouchon de vidange.
- Séchez bien l'intérieur et l'extérieur du bateau, y compris les lignes de refroidissement par eau et la protection du moteur.
- Ranger le bateau avec le cockpit ouvert afin d'éviter la formation de moisissure à l'intérieur de la coque.
- Réparez toutes les pièces endommagées ou usées de votre bateau.
- Lubrifiez l'arbre flexible en utilisant de la graisse marine (DYNE4200 ou DYNE4201).
- Prenez note des leçons liées au réglage de votre bateau, notamment par rapport à l'état de l'eau et au vent.

Conseil : les bandes auto-agrippantes se trouvant dans le bateau retiennent l'eau. Pour les faire sécher, appuyez dessus avec un chiffon sec.

REMARQUE : Quand la navigation est terminée, ne laissez pas le bateau en plein soleil. Ne rangez pas le bateau dans un endroit chaud et fermé comme une voiture. Sous peine d'endommager le bateau.

Pour la liste complète des pièces, allez voir la page du produit sur www.horizonhobby.com



AVVISO

Tutte le istruzioni, le garanzie e gli altri documenti pertinenti sono soggetti a cambiamenti a totale discrezione di Horizon Hobby, LLC. Per una documentazione aggiornata sul prodotto, visitare il sito horizonhobby.com e fare clic sulla sezione Support del prodotto.

SIGNIFICATO DEI TERMINI USATI

Nella documentazione relativa al prodotto vengono utilizzati i seguenti termini per indicare i vari livelli di pericolo potenziale durante l'uso del prodotto:

AVVISO: indica procedure che, se non debitamente seguite, possono determinare il rischio di danni alle cose. È il rischio minimo o nullo di lesioni alle persone.

ATTENZIONE: indica procedure che, se non debitamente seguite, determinano il rischio di danni alle cose. È di gravi lesioni alle persone.

AVVERTENZA: indica procedure che, se non debitamente seguite, determinano il rischio di danni alle cose, danni collaterali e gravi lesioni alle persone. Il rischio elevato di lesioni superficiali alle persone.

AVVERTENZA: leggere TUTTO il manuale di istruzioni e familiarizzare con le caratteristiche del prodotto prima di farlo funzionare. Un uso improprio del prodotto può causare danni al prodotto stesso e alle altre cose e gravi lesioni alle persone.

Questo è un prodotto sofisticato per appassionati di modellismo. Deve essere azionato in maniera attenta e responsabile e richiede alcune conoscenze basilari di meccanica. L'uso improprio o irresponsabile di questo prodotto può causare lesioni alle persone e danni al prodotto stesso o alle altre cose. Questo prodotto non deve essere utilizzato dai bambini senza la diretta supervisione di un adulto. Non tentare di smontare, utilizzare componenti incompatibili o modificare il prodotto in nessun caso senza previa approvazione di Horizon Hobby, LLC. Questo manuale contiene le istruzioni per la sicurezza, l'uso e la manutenzione del prodotto. È fondamentale leggere e seguire tutte le istruzioni e le avvertenze del manuale prima di montare, impostare o utilizzare il prodotto, al fine di utilizzarlo correttamente e di evitare di causare danni alle cose o gravi lesioni alle persone.

Limite minimo di età consigliato: non deve essere utilizzato dai minori di 14 anni. Non è un giocattolo.

Precauzioni di sicurezza e avvertenze

L'utente di questo prodotto è l'unico responsabile del corretto utilizzo del medesimo affinché non arrechi pericolo per sé e per gli altri e non danneggi il prodotto stesso o cose di altri.

- Maneggiare/trasportare il vostro scafo con cura prendendola per la parte frontale in modo che tutte le parti mobile siano lontane da voi.
- Mantenere sempre un perimetro di sicurezza intorno al modello per evitare collisioni o lesioni. Questo modello funziona con comandi radio soggetti all'interferenza di altri dispositivi non controllabili dall'utente. L'interferenza può provocare una momentanea perdita di controllo.
- Utilizzare sempre il modello in spazi aperti liberi da veicoli, traffico e persone.
- Seguire sempre scrupolosamente le istruzioni e le avvertenze relative al modello e a tutti gli accessori (caricabatterie, pacchi batteria ricaricabili, ecc.).
- Tenere sempre le sostanze chimiche, i componenti di piccole dimensioni e i componenti elettrici fuori dalla portata dei bambini.
- Evitare sempre il contatto con l'acqua di tutti i dispositivi che non sono stati specificatamente progettati per funzionare in acqua e non sono adeguatamente protetti. L'umidità danneggia le parti elettroniche non protette.
- Non mettere in bocca alcun componente del modello poiché potrebbe causare lesioni gravi o persino la morte.
- Non azionare il modello se le batterie del trasmettitore sono poco cariche.

Scafo resistente all'acqua con elettronica waterproof

Il vostro nuovo scafo Horizon Hobby è stato sviluppato e costruito con una combinazione di componenti resistenti all'acqua ed impermeabili in modo da rendere il vostro scafo adatto per l'uso in acque calme e dolci.

L'intero scafo è resistente all'acqua, ma questo non significa che sia del tutto impermeabile e quindi NON deve essere usato come un sottomarino. Le diverse componenti tecniche dello scafo, come il regolatore di velocità (ESC), i servocomandi e la ricevente sono waterproof, mentre la maggior parte della meccanica è resistente all'acqua ma non impermeabile e quindi necessita di manutenzione aggiuntiva dopo l'uso dello scafo.

Le parti metalliche incluso i cuscinetti, perni, viti e dadi come anche l'elica, il timone, il supporto timone, i montanti elica ed i contatti elettrici sono suscettibili alla corrosione se non si esegue una manutenzione particolare dopo l'uso dello scafo in condizioni umide. Per prolungare la longevità del vostro scafo e per mantenere valida la garanzia bisogna effettuare regolarmente le procedure elencate sotto il punto "Manutenzione in condizioni umide."

ATTENZIONE: L'uso incauto di questo prodotto o il mancato rispetto delle seguenti precauzioni può portare ad un malfunzionamento del prodotto e/o invalidare la garanzia.

Precauzioni Generali

- Leggere attentamente le procedure per la manutenzione in condizioni umide ed assicurarsi che tutti gli attrezzi necessari per la manutenzione corretta del vostro scafo siano a vostra disposizione.
- Non tutte le batterie sono adatte all'uso in condizioni umide. Consultare il produttore delle batterie prima dell'uso. Fare attenzione nell'uso di batterie LiPo in condizioni umide.
- La maggior parte delle trasmissioni non sono resistenti all'acqua. Consultare il manuale della trasmissioni o il produttore prima dell'uso.
- Non usare mai la trasmissioni o lo scafo nell'eventuale presenza di fulmini.
- L'acqua salata è molto conduttiva ed altamente corrosiva. Se usate il vostro scafo in acqua salata, sciacquare lo scafo direttamente dopo l'uso con acqua dolce. L'uso dello scafo in acqua salata sta alla discrezionalità del modellista stesso.

Manutenzione in condizioni umide

- Far defluire l'acqua dall'interno dello scafo rimuovendo il tappo di scarico o la capottina girando la barca nella direzione giusta per far defluire l'acqua.

ATTENZIONE: Allontanare sempre le mani, le dita, gli attrezzi o qualsiasi oggetto pendente o mobile dalle parti rotanti.

- Togliere il pacco / i pacchi batteria e disconnettere l'ESC e il motore. Asciugare i contatti. Se avete a disposizione un compressore d'aria o una bomboletta d'aria compressa, rimuovere tutti i residui d'acqua dai connettori e dalla scatola radio.
- Rimuovere l'albero flessibile e tutte le parti mobili. Asciugare e lubrificare le parti dopo ogni 30 minuti d'uso o quando lo scafo è stato sommerso in acqua.

AVVISO: Non usare mai un'idropulitrice per pulire lo scafo.

- Usare un compressore d'aria o una bomboletta d'aria compressa per asciugare lo scafo e provare a rimuovere tutta l'acqua in piccole fessure o angoli.
- Spruzzare dell'olio leggero idrorepellente o del lubrificante sui cuscinetti, i supporti ed altre parti metalliche. Non spruzzarlo sul motore.
- Lasciare asciugare lo scafo all'aria prima di riporlo. Acqua (e olio) potrebbero continuare a gocciolare dallo scafo per alcune ore.

Caratteristiche

Lunghezza	1244.6mm
Larghezza	440mm
Materiale scafo	Fibra di vetro
Motore	Dynamite® 1000Kv, 6-pole
ESC	Dynamite 120-amp HV 2S-8S
Trasmettitore	Spektrum DX2E 2.4GHz Pistol Grip
Ricevitore	Spektrum SR310
Batteria	Necessarie 4 batterie AA (da acquistare separatamente) per il funzionamento della trasmissioni: (2) Reaction 11,1V 5000mAh 3S 50C LiPo Hardcase con EC5 (per 6S); (2) Reaction 14,8V 5000mAh 4S 50C LiPo Hardcase o (2) Reaction 14,8V 6000mAh 4S 80C LiPo Hardcase con EC5 (per 8S) (da acquistare separatamente)

Batteria e caricabatteria

Selezionare una batteria e un caricabatteria adatti per il vostro scafo. Vi consigliamo una batteria LiPo Dynamite® Reaction® 11,1V 5000mAh 3S 50C, una batteria LiPo Dynamite® Reaction® 14,8V 5000mAh 4S 50C o una batteria Dynamite® Reaction® 14,8V 6000mAh 4S 80C. Noi consigliamo di scegliere il caricatore Dynamite Prophet Sport Plus 50W AC/DC, oppure Dynamite Prophet Sport Duo 2X 50W. Si faccia riferimento al manuale del caricatore per le informazioni sulla carica e la sicurezza.

AVVISO: non caricare le batterie mentre stanno all'interno dello scafo perché si potrebbero fare dei danni.

Spegnimento per bassa tensione (LVC)

Una batteria si può danneggiare se viene scaricata al di sotto di 3V per cella. L'ESC fornito protegge la batteria dello scafo da una sovra scarica usando la funzione LVC. Prima che la carica della batteria scenda troppo, la funzione LVC toglie l'alimentazione al motore. Lo scafo rallenterà. Consigliamo di far tornare lo scafo immediatamente alla riva, nel momento in cui lo spegnimento per bassa tensione si attiverà. Non continuare a guidare lo scafo quando rallenta, altrimenti si danneggeranno le batterie.

Dopo l'uso bisogna scollegare la batteria LiPo dallo scafo per evitare che si scarichi lentamente. Prima di mettere via la batteria conviene caricarla con metà della sua capacità. Ogni tanto bisogna però controllare che la tensione dei singoli elementi non scenda al di sotto dei 3V perché in questo caso l'LVC non può intervenire.

AVVISO: L'azionamento del motore dopo l'intervento del LVC, porterà alla sovrascarica della batteria e a successivi danni alla batteria.

Consiglio: conviene controllare la tensione della batteria prima e dopo la navigazione usando un misuratore di tensione per batterie LiPo come il DYN4071 (venduto a parte).

AVVISO: L'elica installata con un diametro di 52 mm è prevista per l'uso con le batterie LiPo 6S. L'altra elica con un diametro di 48 mm è prevista per l'uso con le batterie LiPo 8S. Quando si usa l'elica più grande di 52 mm con una batteria 8S per raggiungere velocità superiori ai 85 km/h, bisogna usare i pacchi LiPo con al meno 5000mAh, 50C. L'utilizzo dell'elica più grande di 52 mm con una batteria 8S con una tensione inferiore, può causare il malfunzionamento del pacco batteria. Consigliamo di usare 8S LiPo collegati in serie per una maggiore efficienza del pacco batteria, un utilizzo più lungo e un minore riscaldamento del pacco batterie.

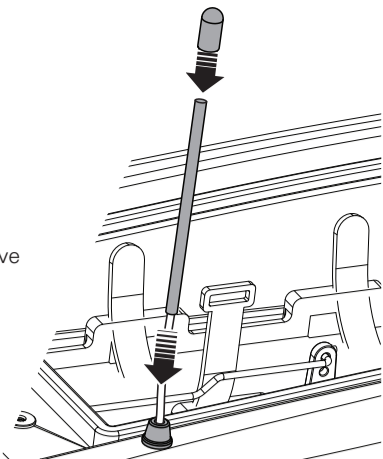
1 Per cominciare

Installazione tubetto antenna

Inserire l'antenna del ricevitore nel suo tubetto come illustrato. Non piegare la punta dell'antenna sul tubetto dell'antenna e mettere il tappo del tubetto. L'antenna non deve stare al di fuori del tubetto per funzionare regolarmente.

Mantenere il terminale dell'antenna sopra alla linea di galleggiamento dello scafo per avere la migliore ricezione. Se lo si desidera, si può mettere del nastro trasparente (DYNM0102).

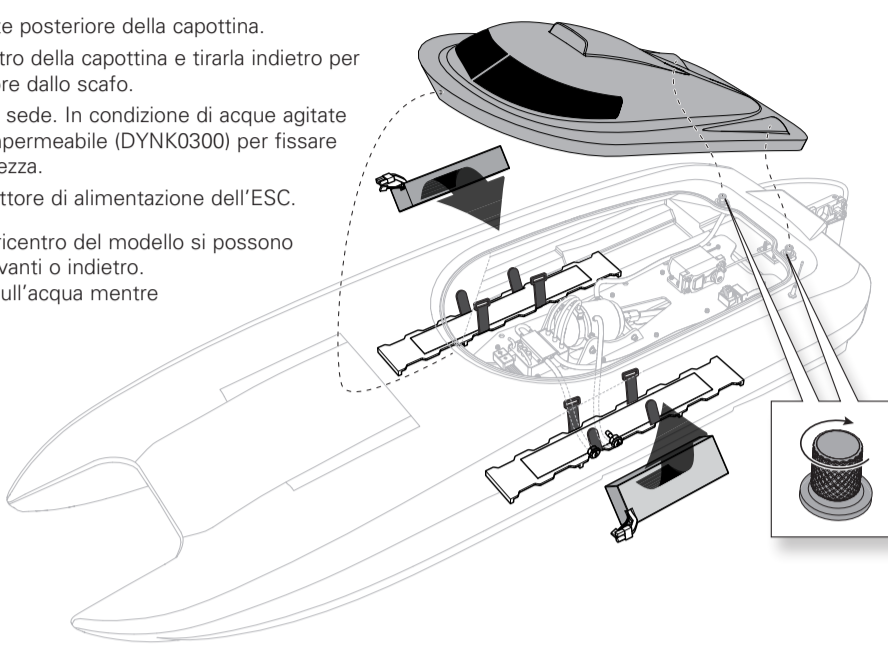
AVVISO: non tagliare o piegare l'antenna del ricevitore altrimenti si potrebbero fare dei danni.



Installazione della batteria

1. Allentare le due viti nella parte posteriore della capottina.
2. Sollevare con attenzione il retro della capottina e tirarla indietro per disimpegnare il perno anteriore dallo scafo.
3. Installare la batteria nella sua sede. In condizione di acque agitate usare del nastro a strappo impermeabile (DYNK0300) per fissare le batterie con maggior sicurezza.
4. Collegare la batteria al connettore di alimentazione dell'ESC.

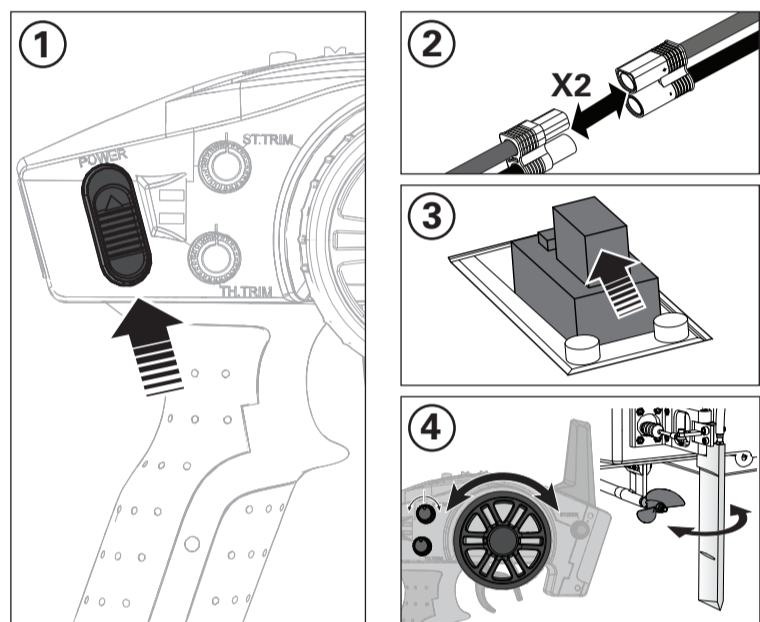
Consiglio: per regolare il baricentro del modello si possono muovere le batterie un po' avanti o indietro. In avanti la prua si abbassa sull'acqua mentre indietro la prua si alza.



2 Accendere lo scafo

1. Accendere il trasmettitore. Accertarsi che il motore non sia invertito e che il suo trim sia centrato.
2. Collegare le due batterie ai connettori EC5 dell'ESC.
3. Accendere l'ESC con il suo interruttore.
4. Con il trasmettitore controllare i vari comandi appoggiando lo scafo sul suo supporto.

ATTENZIONE: tenere sempre le mani a distanza di sicurezza dall'elica.



3 Regolatore elettronico di velocità (ESC)

Procedura di calibrazione dell'ESC

L'ESC è dotato della funzione di auto-calibrazione. La calibrazione è solamente necessaria quando connettete di nuovo la trasmissioni o quando si cambia trasmissioni.

1. Spegner l'ESC.
2. Accendere il trasmettitore verificando che il comando motore non sia invertito, il suo trim sia al centro e che la corsa sia al 100%. Disattivare le funzioni speciali come l'ABS, ecc.
3. Accendere l'ESC tenendo il comando motore nel punto neutro.
4. L'ESC calibra automaticamente la corsa del motore dopo 3 secondi.
5. Suonerà un beep per indicare la soglia minima della tensione e il conteggio delle celle:

1 beep	Nessuna protezione	3 beeps	3S Li-Po	5 beeps	5S Li-Po	7 beeps	7S Li-Po
2 beeps	2S Li-Po	4 beeps	4S Li-Po	6 beeps	6S Li-Po	8 beeps	8S Li-Po

6. Si sente un beep lungo quando l'ESC è pronto.

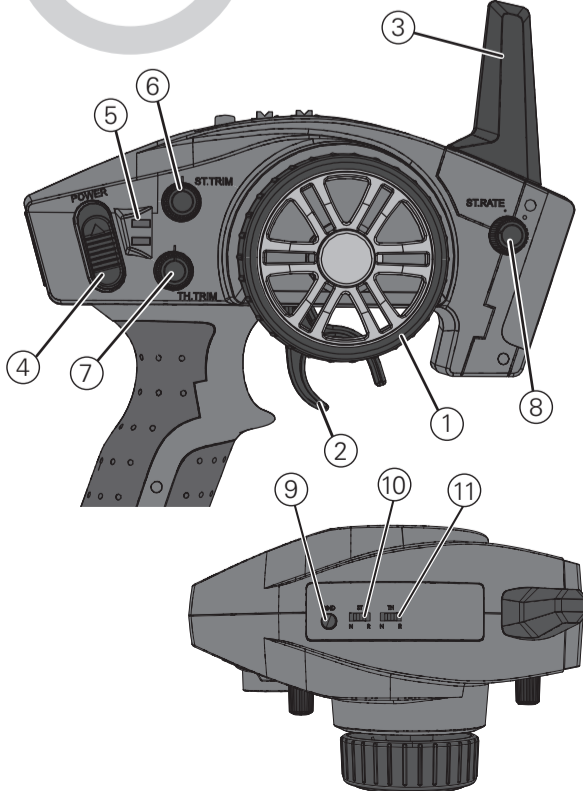
Procedura di Programmazione dell'ESC

La programmazione si può effettuare usando la scheda Dynamite LED Program (DYN3005, venduta separatamente) o attraverso il trasmettitore. Si prega di fare riferimento al manuale del DYNM3875 per le istruzioni di programmazione del trasmettitore.

Elementi Programmabili	Valore Programmabile				Impostazioni di Default			
	1	2	3	4	5	6	7	8
1 Modalità di Funzionamento	Solo Avanti	Avanti/Indietro						
2 Cella Li-Po	Calcolo auto	2S	3S	4S	5S	6S	8S	
3 Spegnimento per Bassa Tensione	Nessuna Protezione	2.8V/Cella	3.0V/Cella	3.2V/Cella	3.4V/Cella			
4 Anticipo	0°	3.75°	7.5°	11.25°	15°	18.75°	22.50°	26.25°
5 Rotazione motore	CW	CCW						

4 Controlli del trasmettitore

Per maggiori informazioni sul trasmettitore, andare su www.spektrumrc.com e cliccare sulla voce "Support" per trovare il manuale completo del trasmettitore DX2E.



1. **Volantino** controlla la direzione (destra/sinistra) del modello.
2. **Grilletto** comando motore controlla la velocità e il senso di marcia del modello.
3. **Antenna** trasmette i segnali al modello.
4. **Interruttore ON/OFF** accende o spegne il trasmettitore.
5. **Luci di indicazione**
 - La luce verde fissa a destra - indica che la batteria fornisce un'alimentazione adeguata.
 - La luce verde lampeggiante - segnala che la batteria è quasi scarica e che conviene sostituirla.
6. **ST. Trim** corregge la traiettoria del veicolo quando il volantino è al centro.
7. **TH. Trim** Trim corregge la velocità del motore in modo che si fermi quando il grilletto è a riposo.
8. **Il riduttore corsa sterzo** regola l'ampiezza del movimento del timone quando il volantino viene girato a destra o a sinistra.
9. **Il tasto Bind** predisporre il trasmettitore per la connessione (bind) con il suo ricevitore.
10. **ST. REV** inverte il movimento dello sterzo da destra a sinistra e viceversa.
11. **TH. REV** inverte la funzione del regolatore avanti/indietro e viceversa.

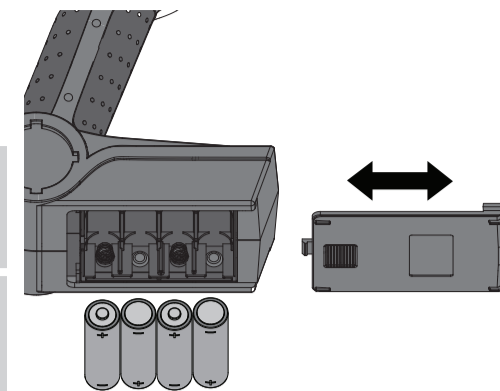
5 Installazione pile trasmettitore

Per questo trasmettitore servono 4 pile AA.

1. Togliere il coperchio del portapile dal trasmettitore.
2. Inserire le pile come illustrato.
3. Rimettere a posto il coperchio del portapile.

ATTENZIONE: se si usano anche le batterie ricaricabili, si raccomanda di caricare solo queste. È pericoloso caricare le pile a secco perché potrebbero esplodere causando lesioni e/o danni.

ATTENZIONE: se le batterie vengono sostituite con tipi non adatti, potrebbero esplodere. Le batterie si devono smaltire nel modo corretto secondo le disposizioni locali.

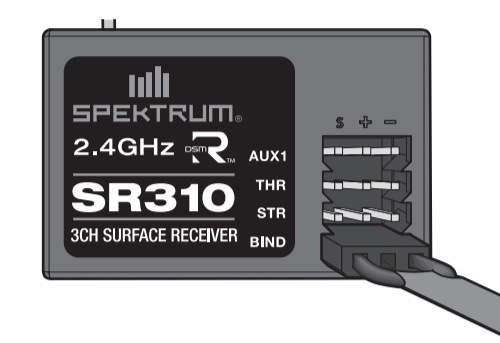


6 Connessione

La barca viene fornita già connessa con il suo trasmettitore. Eseguire la seguente procedura solo se la barca non risponde ai comandi del trasmettitore, oppure se la si vuole connettere ad un altro trasmettitore compatibile.

1. Spegner la trasmissioni e l'ESC.
2. Inserire il Bind Plug nella presa BIND del ricevitore.
3. Connettere una batteria completamente carica all'ESC e accendere l'ESC. Il LED arancione della ricevente comincerà a lampeggiare in continuazione, indicando che la ricevente è in modalità di connessione (bind).
4. Con il gas in posizione neutra, accendere la trasmissioni, premendo il tasto bind. Il LED arancione della ricevente diventerà fisso. L'ESC emetterà dei suoni e si armerà, una volta effettuata la connessione. L'ESC adesso sarà pronto all'uso.
5. Togliere sempre dal ricevitore il "bind plug" una volta terminata la procedura.

Bisogna eseguire di nuovo la procedura di connessione (bind) quando si vuole connettere la ricevente con una trasmissioni diversa.



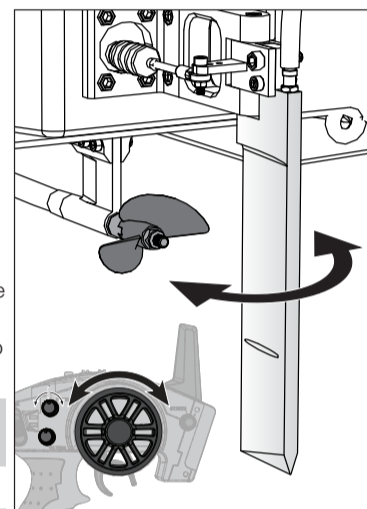
AVVISO: non cercare di connettere il trasmissioni e il ricevitore se ci sono altri trasmissioni compatibili in questa modalità entro un raggio di 120m. Facendo ciò si potrebbe avere una connessione imprevista.

7 Prova della portata

Si raccomanda di fare una prova della portata all'inizio di ogni sessione di utilizzo o dopo una riparazione o una installazione di nuove batterie.

1. Con lo scafo e la trasmissioni accesi e connessi, allontanarsi dallo scafo di 92 m.
2. Lasciare un assistente vicino allo scafo per controllare che il timone risponda correttamente ai comandi impartiti dal trasmissioni.
3. Se sembra che tutto funzioni bene, ci si può preparare a mettere lo scafo in acqua.

AVVISO: non far funzionare il motore senza il sistema di raffreddamento ad acqua.



8 Lubrificazione della trasmissione e manutenzione

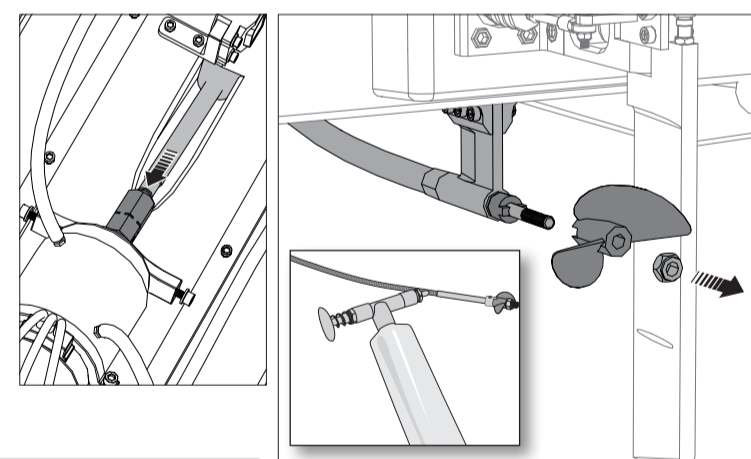
Lubrificare l'albero del motore e il piede dell'elica dopo ogni 20 minuti di funzionamento.

1. Dentro lo scafo, usare due chiavi da 12 mm e 13 mm per allentare il dado sull'albero flessibile.
2. Rimuovere l'elica. Usare un fazzoletto di carta per sfilare l'albero flessibile dalla sua guaina, facendolo uscire dal retro dello scafo.
3. Pulire l'albero flessibile da sporco e lubrificare vecchio.
4. Lubrificare l'albero flessibile su tutta la sua lunghezza fino al trascinatore dell'elica usando del grasso marino (DYNE4200 o DYNE4201). Mettere del grasso anche sui filetti della pinza.
5. Rimontare l'albero flessibile nella sua guaina attraverso il piede dell'elica e nella pinza. Se avrete difficoltà nel farlo entrare nella pinza o farlo uscire dalla pinza, girare la pinza nella stessa direzione della piega dell'albero flessibile. Se avrete difficoltà nello spingere l'albero flessibile nella pinza, allentare il dado un altro po'.

Consiglio: Girare l'albero flessibile per inserirlo nella sua guaina. Aiuterà a inserire l'albero flessibile lubrificato nella guaina.

Accertarsi che ci sia uno spazio di 3mm tra il piede dell'elica e il suo trascinatore per consentire all'albero flessibile di ritirarsi sotto sforzo.

AVVISO: Se si usa lo scafo in acqua salata ci potrebbe essere della corrosione da qualche parte. In questo caso, dopo l'uso, occorre risciacquare lo scafo in acqua fresca e lubrificare il sistema di trasmissione.



9 Quando si finisce

1. Spegner l'ESC.
2. Spegner il trasmissioni.
3. Scollegare la batteria e toglierla dallo scafo.
4. Far scolare l'acqua fuori dalla carena attraverso l'apposito tappo.
5. Asciugare completamente sia l'interno che l'esterno dello scafo, compresi i tubetti del sistema di raffreddamento ad acqua e la spirale intorno al motore.
6. Togliere sempre la capottina prima di riporre lo scafo, altrimenti l'umidità consentirebbe la formazione di muffa e funghi al suo interno.
7. Riparare le parti dello scafo danneggiate o usurate.
8. Lubrificare l'albero flessibile con grasso marino Pro Boat® (DYNE4200 o DYNE4201).
9. Prendere nota dei trimmaggi fatti sullo scafo, compreso le condizioni di acqua e vento.

CONSIGLIO: Le fascette a strappo all'interno dello scafo trattengono l'acqua. Per asciugarle, premere contro un panno asciutto.

AVVISO: quando si termina di navigare, non lasciare lo scafo al sole. Non riporre lo scafo in un ambiente caldo e ristretto come l'interno di un'auto, in caso contrario potrebbe subire dei danni.

Per un elenco di ricambi completo, visitate la pagina del prodotto su www.horizonhobby.com

Zelos™ 48

48-INCH CATAMARAN BRUSHLESS RTR

OWNER'S MANUAL | BEDIENUNGSANLEITUNG | MANUEL DE L'UTILISATEUR | MANUALE DELL'UTENTE

Limited Warranty

What This Warranty Covers

Horizon Hobby, LLC, (Horizon) warrants to the original purchaser that the product purchased (the "Product") will be free from defects in materials and workmanship at the date of purchase.

What is Not Covered

This warranty is not transferable and does not cover (i) cosmetic damage, (ii) damage due to acts of God, accident, misuse, abuse, negligence, commercial use, or due to improper use, installation, operation or maintenance, (iii) modification of or to any part of the Product, (iv) attempted service by anyone other than a Horizon Hobby authorized service center, (v) Product not purchased from an authorized Horizon dealer, or (vi) Product not compliant with applicable technical regulations or (vii) use that violates any applicable laws, rules, or regulations.

OTHER THAN THE EXPRESS WARRANTY ABOVE, HORIZON MAKES NO OTHER WARRANTY OR REPRESENTATION, AND HEREBY DISCLAIMS ANY AND ALL IMPLIED WARRANTIES, INCLUDING, WITHOUT LIMITATION, THE IMPLIED WARRANTIES OF NON-INFRINGEMENT, MERCHANTABILITY AND FITNESS FOR A PARTICULAR PURPOSE. THE PURCHASER ACKNOWLEDGES THAT THEY ALONE HAVE DETERMINED THAT THE PRODUCT WILL SUITABLY MEET THE REQUIREMENTS OF THE PURCHASER'S INTENDED USE.

Purchaser's Remedy

Horizon's sole obligation and purchaser's sole and exclusive remedy shall be that Horizon will, at its option, either (i) service, or (ii) replace, any Product determined by Horizon to be defective. Horizon reserves the right to inspect any and all Product(s) involved in a warranty claim. Service or replacement decisions are at the sole discretion of Horizon. Proof of purchase is required for all warranty claims. SERVICE OR REPLACEMENT AS PROVIDED UNDER THIS WARRANTY IS THE PURCHASER'S SOLE AND EXCLUSIVE REMEDY.

Limitation of Liability

HORIZON SHALL NOT BE LIABLE FOR SPECIAL, INDIRECT, INCIDENTAL OR CONSEQUENTIAL DAMAGES, LOSS OF PROFITS OR PRODUCTION OR COMMERCIAL LOSS IN ANY WAY, REGARDLESS OF WHETHER SUCH CLAIM IS BASED IN CONTRACT, WARRANTY, TORT, NEGLIGENCE, STRICT LIABILITY OR ANY OTHER THEORY OF LIABILITY, EVEN IF HORIZON HAS BEEN ADVISED OF THE POSSIBILITY OF SUCH DAMAGES. Further, in no event shall the liability of Horizon exceed the individual price of the Product on which liability is asserted. As Horizon has no control over use, setup, final assembly, modification or misuse, no liability shall be assumed nor accepted for any resulting damage or injury. By the act of use, setup or assembly, the user accepts all resulting liability. If you as the purchaser or user are not prepared to accept the liability associated with the use of the Product, purchaser is advised to return the Product immediately in new and unused condition to the place of purchase.

Law

These terms are governed by Illinois law (without regard to conflict of law principals). This warranty gives you specific legal rights, and you may also have other rights which vary from state to state. Horizon reserves the right to change or modify this warranty at any time without notice.

WARRANTY SERVICES

Questions, Assistance, and Services

Your local hobby store and/or place of purchase cannot provide warranty support or service. Once assembly, setup or use of the Product has been started, you must contact your local distributor or Horizon directly. This will enable Horizon to better answer your questions and

Contact Information

Country of Purchase	Horizon Hobby	Contact Information	Address
United States of America	Horizon Service Center (Repairs and Repair Requests)	servicecenter.horizonhobby.com/RequestForm/	4105 Fieldstone Rd <p>Champaign, Illinois <p>61822 USA</p></p>
	Horizon Product Support (Product Technical Assistance)	www.quickbase.com/db/tghj7ey8c?a=GenNewRecord <p>888-959-2306</p>	
	Sales	sales@horizonhobby.com <p>888-959-2306</p>	

United Kingdom	Service/Parts/Sales: Horizon Hobby Limited	sales@horizonhobby.co.uk <p>+44 (0) 1279 641 097</p>	Units 1-4 Ployters Rd <p>Staple Tye, Harlow, Essex <p>CM18 7NS, United Kingdom</p></p>
----------------	--	--	--

Germany	Horizon Technischer Service <p>Sales: Horizon Hobby GmbH</p>	service@horizonhobby.de <p>+49 (0) 4121 2655 100</p>	Christian-Junge-Straße 1 <p>25337 Elmshorn</p>
---------	--	--	--

France	Horizon Hobby SAS	infofrance@horizonhobby.com <p>+33 (0) 1 60 18 34 90</p>	11 Rue Georges Charpak <p>77127 Lieusaint, France</p>
--------	-------------------	--	---

China	Service/Parts/Sales: Horizon Hobby — China	info@horizonhobby.com.cn <p>+86 (021) 5180 9868</p>	Room 506, No. 97 Changshou Rd. <p>Shanghai, China 200060</p>
-------	--	---	--

FCC Statement

This device complies with part 15 of the FCC rules. Operation is subject to the following two conditions: (1) This device may not cause harmful interference, and (2) this device must accept any interference received, including interference that may cause undesired operation.

CAUTION: Changes or modifications not expressly approved by the party responsible for compliance could void the user's authority to operate the equipment.

This product contains a radio transmitter with wireless technology which has been tested and found to be compliant with the applicable regulations governing a radio transmitter in the 2.400GHz to 2.4835GHz frequency range.

EU Compliance Statement: Horizon Hobby, LLC hereby declares that this product is in compliance with the essential requirements and other relevant provisions of the R&TTE, EMC Directive, and LVD Directive.

A copy of the EU Declaration of Conformity is available online at: http://www.horizonhobby.com/content/support-render-compliance.

Garantie und Service Informationen

Warnung

Ein ferngesteuertes Modell ist kein Spielzeug. Es kann, wenn es falsch eingesetzt wird, zu erheblichen Verletzungen bei Lebewesen und Beschädigungen an Sachgütern führen. Betreiben Sie Ihr RC-Modell nur auf freien Plätzen und beachten Sie alle Hinweise der Bedienungsanleitung des Modells wie auch der Fernsteuerung.

Garantiezeitraum

Exklusive Garantie Horizon Hobby LLC (Horizon) garantiert, dass das gekaufte Produkt frei von Material- und Montagefehlern ist. Der Garantiezeitraum entspricht den gesetzlichen Bestimmung des Landes, in dem das Produkt erworben wurde. In Deutschland beträgt der Garantiezeitraum 6 Monate und der Gewährleistungszeitraum 18 Monate nach dem Garantiezeitraum.

Einschränkungen der Garantie

(a) Die Garantie wird nur dem Erstkäufer (Käufer) gewährt und kann nicht übertragen werden. Der Anspruch des Käufers besteht in der Reparatur oder dem Tausch im Rahmen dieser Garantie. Die Garantie erstreckt sich ausschließlich auf Produkte, die bei einem autorisierten Horizon Händler erworben wurden. Verkäufe an dritte werden von dieser Garantie nicht gedeckt. Garantieansprüche werden nur angenommen, wenn ein gültiger Kaufnachweis erbracht wird. Horizon behält sich das Recht vor, diese Garantiebestimmungen ohne Ankündigung zu ändern oder modifizieren und widerruft dann bestehende Garantiebestimmungen.

(b) Horizon übernimmt keine Garantie für die Verkaufbarkeit des Produktes, die Fähigkeiten und die Fitness des Verbrauchers für einen bestimmten Einsatzzweck des Produktes. Der Käufer allein ist dafür verantwortlich, zu prüfen, ob das Produkt seinen Fähigkeiten und dem vorgesehenen Einsatzzweck entspricht.

(c) Ansprüche des Käufers Es liegt ausschließlich im Ermessen von Horizon, ob das Produkt, bei dem ein Garantiefall festgestellt wurde, repariert oder ausgetauscht wird. Dies sind die exklusiven Ansprüche des Käufers, wenn ein Defekt festgestellt wird. Horizon behält sich vor, alle eingesetzten Komponenten zu prüfen, die in den Garantiefall einbezogen werden können. Die Entscheidung zur Reparatur oder zum Austausch liegt nur bei Horizon. Die Garantie schließt kosmetische Defekte oder Defekte, hervorgerufen durch höhere Gewalt, falsche Behandlung des Produktes, falscher Einsatz des Produktes, kommerziellen Einsatz oder Modifikationen irgendwelcher Art aus.

Die Garantie schließt Schäden, die durch falschen Einbau, falsche Handhabung, Unfälle, Betrieb, Service oder Reparaturversuche, die nicht von Horizon ausgeführt wurden aus. Ausgeschlossen sind auch Fälle die bedingt durch (vii) eine Nutzung sind, die gegen geltendes Recht, Gesetze oder Regularien verstößen haben Rücksendungen durch den Käufer direkt an Horizon oder eine seiner Landesvertretung bedürfen der Schriftform.

Schadensbeschränkung

Horizon ist nicht für direkte oder indirekte Folgeschäden, Einkommensausfälle oder kommerzielle Verluste, die in irgendeinem Zusammenhang mit dem Produkt stehen verantwortlich, unabhängig ab ein Anspruch im Zusammenhang mit einem Vertrag, der Garantie oder der Gewährleistung erhoben werden. Horizon wird darüber hinaus keine Ansprüche aus einem Garantiefall akzeptieren, die über den individuellen Wert des Produktes hinaus gehen. Horizon hat keinen Einfluss auf den Einbau, die Verwendung oder die Wartung des Produktes oder etwaiger Produktkombinationen, die vom Käufer gewählt werden. Horizon übernimmt keine Garantie und akzeptiert keine Ansprüche für in der folge auftretende Verletzungen oder Beschädigungen. Mit der Verwendung und dem Einbau des Produktes akzeptiert der Käufer alle aufgeführten Garantiebestimmungen ohne Einschränkungen und Vorbehalte.

Garantie und Service Kontaktinformationen

Land des Kauf	Horizon Hobby	E-mail Adresse/Telefon	Adresse
Deutschland	Horizon Technischer Service <p>Sales: Horizon Hobby GmbH</p>	service@horizonhobby.de <p>+49 (0) 4121 2655 100</p>	Christian-Junge-Straße 1 <p>25337 Elmshorn</p>

HORIZON[®]

H O B B Y - GmbH

CE **EU Konformitätserklärung**

Horizon LLC erklärt hiermit, dass dieses Produkt konform zu den essentiellen Anforderungen der R&TTE, EMC Directive, LVD Directive.

Eine Kopie der Konformitätserklärung ist online unter folgender Adresse verfügbar : http://www.horizonhobby.com/content/support-render-compliance.

service you in the event that you may need any assistance. For questions or assistance, please visit our website at **www.horizonhobby.com**, submit a Product Support Inquiry, or call the toll free telephone number referenced in the Warranty and Service Contact Information section to speak with a Product Support representative.

Inspection or Services

If this Product needs to be inspected or serviced and is compliant in the country you live and use the Product in, please use the Horizon Online Service Request submission process found on our website or call Horizon to obtain a Return Merchandise Authorization (RMA) number. Pack the Product securely using a shipping carton. Please note that original boxes may be included, but are not designed to withstand the rigors of shipping without additional protection. Ship via a carrier that provides tracking and insurance for lost or damaged parcels, as Horizon is not responsible for merchandise until it arrives and is accepted at our facility. An Online Service Request is available at **http://www.horizonhobby.com/content/_service-center_render-service-center**. If you do not have internet access, please contact Horizon Product Support to obtain a RMA number along with instructions for submitting your product for service. When calling Horizon, you will be asked to provide your complete name, street address, email address and phone number where you can be reached during business hours. When sending product into Horizon, please include your RMA number, a list of the included items, and a brief summary of the problem. A copy of your original sales receipt must be included for warranty consideration. Be sure your name, address, and RMA number are clearly written on the outside of the shipping carton.

NOTICE: Do not ship LiPo batteries to Horizon. If you have any issue with a LiPo battery, please contact the appropriate Horizon Product Support office.

Warranty Requirements

For Warranty consideration, you must include your original sales receipt verifying the proof-of-purchase date. Provided warranty conditions have been met, your Product will be serviced or replaced free of charge. Service or replacement decisions are at the sole discretion of Horizon.

Non-Warranty Service

Should your service not be covered by warranty, service will be completed and payment will be required without notification or estimate of the expense unless the expense exceeds 50% of the retail purchase cost. By submitting the item for service you are agreeing to payment of the service without notification. Service estimates are available upon request. You must include this request with your item submitted for service. Non-warranty service estimates will be billed a minimum of ½ hour of labor. In addition you will be billed for return freight. Horizon accepts money orders and cashier's checks, as well as Visa, MasterCard, American Express, and Discover cards. By submitting any item to Horizon for service, you are agreeing to Horizon's Terms and Conditions found on our website **http://www.horizonhobby.com/content/_service-center_render-service-center**.

ATTENTION: Horizon service is limited to Product compliant in the country of use and ownership. If received, a non-compliant Product will not be serviced. Further, the sender will be responsible for arranging return shipment of the un-serviced Product, through a carrier of the sender's choice and at the sender's expense. Horizon will hold non-compliant Product for a period of 60 days from notification, after which it will be discarded.

United Kingdom	Service/Parts/Sales: Horizon Hobby Limited	sales@horizonhobby.co.uk <p>+44 (0) 1279 641 097</p>	Units 1-4 Ployters Rd <p>Staple Tye, Harlow, Essex <p>CM18 7NS, United Kingdom</p></p>
Germany	Horizon Technischer Service <p>Sales: Horizon Hobby GmbH</p>	service@horizonhobby.de <p>+49 (0) 4121 2655 100</p>	Christian-Junge-Straße 1 <p>25337 Elmshorn</p>
France	Horizon Hobby SAS	infofrance@horizonhobby.com <p>+33 (0) 1 60 18 34 90</p>	11 Rue Georges Charpak <p>77127 Lieusaint, France</p>
China	Service/Parts/Sales: Horizon Hobby — China	info@horizonhobby.com.cn <p>+86 (021) 5180 9868</p>	Room 506, No. 97 Changshou Rd. <p>Shanghai, China 200060</p>

IC Information

This device complies with Industry Canada license-exempt RSS standard(s). Operation is subject to the following two conditions:(1) this device may not cause interference, and (2) this device must accept any interference, including interference that may cause undesired operation of the device.

United Kingdom	Service/Parts/Sales: Horizon Hobby Limited	sales@horizonhobby.co.uk <p>+44 (0) 1279 641 097</p>	Units 1-4 Ployters Rd <p>Staple Tye, Harlow, Essex <p>CM18 7NS, United Kingdom</p></p>
Germany	Horizon Technischer Service <p>Sales: Horizon Hobby GmbH</p>	service@horizonhobby.de <p>+49 (0) 4121 2655 100</p>	Christian-Junge-Straße 1 <p>25337 Elmshorn</p>
France	Horizon Hobby SAS	infofrance@horizonhobby.com <p>+33 (0) 1 60 18 34 90</p>	11 Rue Georges Charpak <p>77127 Lieusaint, France</p>
China	Service/Parts/Sales: Horizon Hobby — China	info@horizonhobby.com.cn <p>+86 (021) 5180 9868</p>	Room 506, No. 97 Changshou Rd. <p>Shanghai, China 200060</p>

Garantie und Service Informationen

Wenn Sie als Käufer nicht bereit sind, diese Bestimmungen im Zusammenhang mit der Benutzung des Produktes zu akzeptieren, werden Sie gebeten, dass Produkt in unbenutztem Zustand in der Originalverpackung vollständig bei dem Verkäufer zurückzugeben.

Sicherheitshinweise

Dieses ist ein hochwertiges Hobby Produkt und kein Spielzeug. Es muss mit Vorsicht und Umsicht eingesetzt werden und erfordert einige mechanische wie auch mentale Fähigkeiten. Ein Versagen, das Produkt sicher und umsichtig zu betreiben kann zu Verletzungen von Lebewesen und Sachbeschädigungen erheblichen Ausmaßes führen. Dieses Produkt ist nicht für den Gebrauch durch Kinder ohne die Aufsicht eines Erziehungsberechtigten vorgesehen. Die Anleitung enthält Sicherheitshinweise und Vorschriften sowie Hinweise für die Wartung und den Betrieb des Produktes. Es ist unabdingbar, diese Hinweise vor der ersten Inbetriebnahme zu lesen und zu verstehen. Nur so kann der falsche Umgang verhindert und Unfälle mit Verletzungen und Beschädigungen vermieden werden.

Fragen, Hilfe und Reparaturen

Ihr lokaler Fachhändler und die Verkaufsstelle können eine Garantiebeurteilung ohne Rücksprache mit Horizon nicht durchführen. Dies gilt auch für Garantiereparaturen. Deshalb kontaktieren Sie in einem solchen Fall den Händler, der sich mit Horizon kurz schließen wird, um eine sachgerechte Entscheidung zu fällen, die Ihnen schnellst möglich hilft.

Wartung und Reparatur

Muss Ihr Produkt gewartet oder repariert werden, wenden Sie sich entweder an Ihren Fachhändler oder direkt an Horizon. Rücksendungen/Reparaturen werden nur mit einer von Horizon vergebenen RMA Nummer bearbeitet. Diese Nummer erhalten Sie oder ihr Fachhändler vom technischen Service. Mehr Informationen dazu erhalten Sie im Serviceportal unter www.horizonhobby.de oder telefonisch bei dem technischen Service von Horizon.

Packen Sie das Produkt sorgfältig ein. Beachten Sie, dass der Originalkarton in der Regel nicht ausreicht, um beim Versand nicht beschädigt zu werden. Verwenden Sie einen Paketdienstleister mit einer Tracking Funktion und Versicherung, da Horizon bis zur Annahme keine Verantwortung für den Versand des Produktes übernimmt. Bitte legen Sie dem Produkt einen Kaufbeleg bei, sowie eine ausführliche Fehlerbeschreibung und eine Liste aller eingesendeten Einzelkomponenten. Weiterhin benötigen wir die vollständige Adresse, eine Telefonnummer für Rückfragen, sowie eine Email Adresse.

Garantie und Reparaturen

Garantieanfragen werden nur bearbeitet, wenn ein Originalkaufbeleg von einem autorisierten Fachhändler beiliegt, aus dem der Käufer und das Kaufdatum hervorgeht. Sollte sich ein Garantiefall bestätigen wird das Produkt repariert oder ersetzt. Diese Entscheidung obliegt einzig Horizon Hobby.

Kostenpflichtige Reparaturen

Liegt eine kostenpflichtige Reparatur vor, erstellen wir einen Kostenvorschlag, den wir Ihrem Händler übermitteln. Die Reparatur wird erst vorgenommen, wenn wir die Freigabe des Händlers erhalten. Der Preis für die Reparatur ist bei Ihrem Händler zu entnehmen. Bei kostenpflichtigen Reparaturen werden mindestens 30 Minuten Werkstattdienst und die Rückverankosten in Rechnung gestellt. Sollten wir nach 90 Tagen keine Einverständniserklärung zur Reparatur vorliegen haben, behalten wir uns vor, das Produkt zu vernichten oder anderweitig zu verwerten.

ACHTUNG: Kostenpflichtige Reparaturen nehmen wir nur für Elektronik und Motoren vor. Mechanische Reparaturen, besonders bei Hubschraubern und RC-Cars sind extrem aufwendig und müssen deshalb vom Käufer selbst vorgenommen werden.

Garantie et Réparations

Durée de la Garantie

Garantie exclusive — Horizon Hobby, LLC (Horizon) garantit que le Produit acheté (le « Produit ») sera exempt de défauts matériels et de fabrication à sa date d'achat par l'« Acheteur ». La durée de garantie correspond aux dispositions légales du pays dans lequel le produit a été acquis. La durée de garantie est de 6 mois et la durée d'obligation de garantie de 18 mois à l'expiration de la période de garantie.

Limitations de la Garantie

(a) La garantie est donnée à l'acheteur initial (« Acheteur ») et n'est pas transférable. Le recours de l'acheteur consiste en la réparation ou en l'échange dans le cadre de cette garantie. La garantie s'applique uniquement aux produits achetés chez un revendeur Horizon agréé. Les ventes faites à des tiers ne sont pas couvertes par cette garantie. Les revendications en garantie seront acceptées sur fourniture d'une preuve d'achat valide uniquement. Horizon se réserve le droit de modifier les dispositions de la présente garantie sans avis préalable et révoque alors les dispositions de garantie existantes.

(b) Horizon n'endosse aucune garantie quant à la vendabilité du produit ou aux capacités et à la forme physique de l'utilisateur pour une utilisation donnée du produit. Il est de la seule responsabilité de l'acheteur de vérifier si le produit correspond à ses capacités et à l'utilisation prévue.

(c) Recours de l'acheteur — Il est de la seule discrétion d'Horizon de déterminer si un produit présentant un cas de garantie sera réparé ou échangé. Ce sont là les recours exclusifs de l'acheteur lorsqu'un défaut est constaté.

Horizon se réserve la possibilité de vérifier tous les éléments utilisés et susceptibles d'être intégrés dans le cas de garantie. La décision de réparer ou de remplacer le produit est du seul ressort d'Horizon. La garantie exclut les défauts esthétiques ou les défauts provoqués par des cas de force majeure, une manipulation incorrecte du produit, une utilisation incorrecte ou commerciale de ce dernier ou encore des modifications de quelque nature qu'elles soient.

La garantie ne couvre pas les dégâts résultant d'un montage ou d'une manipulation erronés, d'accidents ou encore du fonctionnement ainsi que des tentatives d'entretien ou de réparation non effectuées par Horizon. Les retours effectués par le fait de l'acheteur directement à Horizon ou à l'une de ses représentations nationales requièrent une confirmation écrite.

Limitation des dommages

Horizon ne saurait être tenu pour responsable de dommages conséquents directs ou indirects, de pertes de revenus ou de pertes commerciales, liés de quelque manière que ce soit au produit et ce, indépendamment du fait qu'un recours puisse être formulé en relation avec un contrat, la garantie ou l'obligation de garantie. Par ailleurs, Horizon n'acceptera pas de recours issus d'un cas de garantie lorsque ces recours dépassent la valeur unitaire du produit. Horizon n'exerce aucune influence sur le montage, l'utilisation ou la maintenance du produit ou sur d'éventuelles combinaisons de produits choisies par l'acheteur. Horizon ne prend en compte aucune garantie et n'accepte aucun recours pour les blessures ou les dommages pouvant en résulter. Horizon Hobby ne saurait être tenu responsable d'une utilisation ne respectant pas les lois , les règles ou règlements en vigueur. En utilisant et en montant le produit, l'acheteur accepte sans restriction ni réserve toutes les dispositions relatives à la garantie figurant dans le présent document.

Coordonnées de Garantie et Réparations

Pays d'achat	Horizon Hobby	Adresse E-mail / Téléphone	Adresse
France	Horizon Hobby SAS	infofrance@horizonhobby.com <p>+33 (0) 1 60 18 34 90</p>	11 Rue Georges Charpak <p>77127 Lieusaint, France</p>

Information de IC

Le présent appareil est conforme aux CNR d'Industrie Canada applicables aux appareils radio exempts de licence. L'exploitation est autorisée aux deux conditions suivantes :

CE **Déclaration de conformité de l'union européenne :** Horizon Hobby, LLC déclare par la présente que ce produit est en conformité avec les exigences essentielles et les autres dispositions des directives RTTE, EMC, LVD.

Une copie de la déclaration de conformité Européenne est disponible à : http://www.horizonhobby.com/content/support-render-compliance.

United Kingdom	Service/Parts/Sales: Horizon Hobby Limited	sales@horizonhobby.co.uk <p>+44 (0) 1279 641 097</p>	Units 1-4 Ployters Rd <p>Staple Tye, Harlow, Essex <p>CM18 7NS, United Kingdom</p></p>
Germany	Horizon Technischer Service <p>Sales: Horizon Hobby GmbH</p>	service@horizonhobby.de <p>+49 (0) 4121 2655 100</p>	Christian-Junge-Straße 1 <p>25337 Elmshorn</p>
France	Horizon Hobby SAS	infofrance@horizonhobby.com <p>+33 (0) 1 60 18 34 90</p>	11 Rue Georges Charpak <p>77127 Lieusaint, France</p>
China	Service/Parts/Sales: Horizon Hobby — China	info@horizonhobby.com.cn <p>+86 (021) 5180 9868</p>	Room 506, No. 97 Changshou Rd. <p>Shanghai, China 200060</p>

United Kingdom	Service/Parts/Sales: Horizon Hobby Limited	sales@horizonhobby.co.uk <p>+44 (0) 1279 641 097</p>	Units 1-4 Ployters Rd <p>Staple Tye, Harlow, Essex <p>CM18 7NS, United Kingdom</p></p>
Germany	Horizon Technischer Service <p>Sales: Horizon Hobby GmbH</p>	service@horizonhobby.de <p>+49 (0) 4121 2655 100</p>	Christian-Junge-Straße 1 <p>25337 Elmshorn</p>
France	Horizon Hobby SAS	infofrance@horizonhobby.com <p>+33 (0) 1 60 18 34 90</p>	11 Rue Georges Charpak <p>77127 Lieusaint, France</p>
China	Service/Parts/Sales: Horizon Hobby — China	info@horizonhobby.com.cn <p>+86 (021) 5180 9868</p>	Room 506, No. 97 Changshou Rd. <p>Shanghai, China 200060</p>

Garanzia

Periodo di garanzia

La garanzia esclusiva — Horizon Hobby, LLC (Horizon) garantisce che i prodotti acquistati (il "Prodotto") sono privi di difetti relativi ai materiali e di eventuali errori di montaggio. Il periodo di garanzia è conforme alle disposizioni legali del paese nel quale il prodotto è stato acquistato. Tale periodo di garanzia ammonta a 6 mesi e si estende ad altri 18 mesi dopo tale termine.

Limiti Della Garanzia

(a) La garanzia è limitata all'acqureito originale (Acquirente) e non è cedibile a terzi. L'acquirente ha il diritto a far riparare o a far sostituire la merce durante il periodo di questa garanzia. La garanzia copre solo quei prodotti acquistati presso un rivenditore autorizzato Horizon. Altre transazioni di terze parti non sono coperte da questa garanzia. La prova di acquisto è necessaria per far valere il diritto di garanzia. Inoltre, Horizon si riserva il diritto di cambiare o modificare i termini di questa garanzia senza alcun preavviso e di escludere tutte le altre garanzie già esistenti.

(b) Horizon non si assume alcuna garanzia per la disponibilità del prodotto, per l'adeguatezza o l'idoneità del prodotto a particolari previsti dall'utente. È sola responsabilità dell'acquirente il diritto di verificare se il prodotto è adatto agli scopi da lui previsti.

(c) Richiesta dell'acquirente — spetta soltanto a Horizon, a propria discrezione riparare o sostituire qualsiasi prodotto considerato difettoso e che rientra nei termini di garanzia. Queste sono le uniche risvale a cui l'acquirente si può appellare, se un prodotto è difettoso. Horizon si riserva il diritto di controllare qualsiasi componente utilizzato che viene coinvolto nella rivaluta di garanzia. Le decisioni relative alla sostituzione o alla riparazione sono a discrezione di Horizon. Questa garanzia non copre dei danni superficiali o danni per cause di forza maggiore, uso errato del prodotto, un utilizzo che viola qualsiasi legge, regolamentazione o disposizione applicabile, negligenza, uso ai fini commerciali, o una qualsiasi modifica a qualsiasi parte del prodotto. Questa garanzia non copre danni dovuti ad una installazione errata, ad un funzionamento errato, ad una manutenzione o un tentativo di riparazione non idonei a cura di soggetti diversi da Horizon. La restituzione del prodotto a cura dell'acquirente, o da un suo rappresentante, deve essere approvata per iscritto dalla Horizon.

Limiti di Danno

Horizon non si riterrà responsabile per danni speciali, diretti, indiretti o consequenziali; perdita di profitto o di produzione; perdita commerciale connessa al prodotto, indipendentemente dal fatto che la richiesta si basa su un contratto o sulla garanzia. Inoltre la responsabilità di Horizon non supera mai in nessun caso il prezzo di acquisto del prodotto per il quale si chiede la responsabilità. Horizon non ha alcun controllo sul montaggio, sull'utilizzo o sulla manutenzione del prodotto o di combinazioni di vari prodotti. Quindi Horizon non accetta nessuna responsabilità per danni o lesioni derivanti da tali circostanze. Con l'utilizzo e il montaggio del prodotto l'utente acconsente a tutte le condizioni, limitazioni e riserve di garanzia citate in questa sede. Qualora l'utente non fosse pronto ad assumersi tale responsabilità associata all'uso del prodotto, si suggerisce di restituire il prodotto intatto, mai usato e immediatamente presso il venditore.

Garanzia e Assistenza Informazioni per i Contatti

Stato in Cui il Prodotto e Stato Acquistato	Horizon Hobby	Indirizzo E-mail / Telefono	Indirizzo
Germania	Horizon Technischer Service <p>Sales: Horizon Hobby GmbH</p>	service@horizonhobby.de <p>+49 (0) 4121 2655 100</p>	Christian-Junge-Straße 1 <p>25337 Elmshorn, Germania</p>

CE **Dichiarazione di Conformità EU:** Horizon Hobby, LLC con la presente dichiara che il prodotto è conforme ai requisiti essenziali e ad altre disposizioni rilevanti delle direttive R&TTE, EMC, LVD.

Una copia della dichiarazione di conformità per l'Unione Europea è disponibile a : http://www.horizonhobby.com/content/support-render-compliance.

United Kingdom	Service/Parts/Sales: Horizon Hobby Limited	sales@horizonhobby.co.uk <p>+44 (0) 1279 641 097</p>	Units 1-4 Ployters Rd <p>Staple Tye, Harlow, Essex <p>CM18 7NS, United Kingdom</p></p>
Germany	Horizon Technischer Service <p>Sales: Horizon Hobby GmbH</p>	service@horizonhobby.de <p>+49 (0) 4121 2655 100</p>	Christian-Junge-Straße 1 <p>25337 Elmshorn, Germania</p>
France	Horizon Hobby SAS	infofrance@horizonhobby.com <p>+33 (0) 1 60 18 34 90</p>	11 Rue Georges Charpak <p>77127 Lieusaint, France</p>
China	Service/Parts/Sales: Horizon Hobby — China	info@horizonhobby.com.cn <p>+86 (021) 5180 9868</p>	Room 506, No. 97 Changshou Rd. <p>Shanghai, China 200060</p>

Si vous n'êtes pas prêt, en tant qu'acheteur, à accepter ces dispositions en relation avec l'utilisation du produit, nous vous demandons de restituer au vendeur le produit complet, non utilisé et dans son emballage d'origine.

Indicazioni Relative à la Sécurité

Ceci est un produit de loisirs perfectionné et non un jouet. Il doit être utilisé avec précaution et bon sens et nécessite quelques aptitudes mécaniques ainsi que mentales. L'incapacité à utiliser le produit de manière sûre et raisonnable peut provoquer des blessures et des dégâts matériels conséquents. Ce produit n'est pas destiné à être utilisé par des enfants sans la surveillance par un tuteur. La notice d'utilisation contient des indications relatives à la sécurité ainsi que des indications concernant la maintenance et le fonctionnement du produit. Il est absolument indispensable de lire et de comprendre ces indications avant la première mise en service. C'est uniquement ainsi qu'il sera possible d'éviter une manipulation erronée et des accidents entraînant des blessures et des dégâts. Horizon Hobby ne saurait être tenu responsable d'une utilisation ne