



PROBOAT™
ProBoatModels.com

**Owners Manual • Bedienungsanleitung
Manuel de l'utilisateur • Manuale dell'utente**

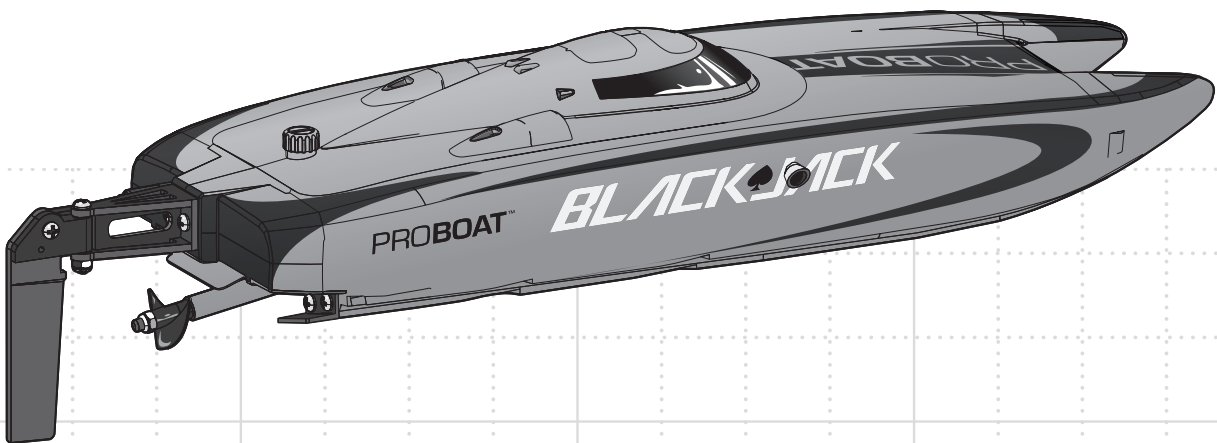
IMPULSE™ 9

PRB08000, PRB08001, PRB0800AU



BLACKJACK™ 9

PRB08001, PRB08001I, PRB08001AU



NOTICE

All instructions, warranties and other collateral documents are subject to change at the sole discretion of Horizon Hobby, Inc. For up-to-date product literature, visit www.horizonhobby.com and click on the support tab for this product.

MEANING OF SPECIAL LANGUAGE

The following terms are used throughout the product literature to indicate various levels of potential harm when operating this product:

NOTICE: Procedures, which if not properly followed, create a possibility of physical property damage AND little or no possibility of injury.

CAUTION: Procedures, which if not properly followed, create the probability of physical property damage AND a possibility of serious injury.

WARNING: Procedures, which if not properly followed, create the probability of property damage, collateral damage, and serious injury OR create a high probability of superficial injury.



WARNING: Read the ENTIRE instruction manual to become familiar with the features of the product before operating. Failure to operate the product correctly can result in damage to the product, personal property and cause serious injury.

This is a sophisticated hobby product and NOT a toy. It must be operated with caution and common sense and requires some basic mechanical ability. Failure to operate this product in a safe and responsible manner could result in injury or damage to the product or other property. This product is not intended for use by children without direct adult supervision. Do not use with incompatible components or alter this product in any way outside of the instructions provided by Horizon Hobby, Inc. This manual contains instructions for safety, operation and maintenance. It is essential to read and follow all the instructions and warnings in the manual, prior to assembly, setup or use, in order to operate correctly and avoid damage or serious injury.

Safety Precautions and Warnings

As the user of this product, you are solely responsible for operating in a manner that does not endanger yourself and others or result in damage to the product or the property of others.

- When handling and/or transporting your boat, always pick up the boat from the front, keeping all moving parts pointed away from you.
- Always keep a safe distance in all directions around your model to avoid collisions or injury. This model is controlled by a radio signal subject to interference from many sources outside your control. Interference can cause momentary loss of control.
- Always operate your model in open spaces away from full-size vehicles, traffic and people.

- Always carefully follow the directions and warnings for this and any optional support equipment (chargers, rechargeable battery packs, etc.).
- Always keep all chemicals, small parts and anything electrical out of the reach of children.
- Always avoid water exposure to all equipment not specifically designed and protected for this purpose. Moisture causes damage to unprotected electronics.
- Never place any portion of the model in your mouth as it could cause serious injury or even death.
- Never operate your model with low transmitter batteries.

Age Recommendation:
Not for children under 14 years. This is not a toy.

Table of Contents

Introduction.....	3	Motor Care.....	8
Recommended Tools and Materials.....	3	When you are Finished	9
Product Inspection.....	3	Maintenance.....	9
Specifications.....	4	Rudder Service.....	10
Boat Battery Pack Installation.....	4	Checklists	10
Charging Warnings.....	4	Before Boating.....	10
Battery Charger.....	5	After Boating.....	10
Transmitter Battery Installation.....	5	Troubleshooting Guide	10
Transmitter Controls.....	6	Limited Warranty	12
Getting Started	6	Contact Information	13
Checking the Radio System.....	7	Parts Contact Information	13
Binding.....	7	FCC Information	14
Failsafe.....	7	Compliance Information for the European Union	14
Trim Tab Adjustment.....	7	Identification of Components	51
Testing your Boat in the Water.....	8	Replacement Parts	52
Boating Tips.....	8	Optional Parts	52

Introduction

Pro Boat® RC models look as good as they perform. Our boats, which include everything from scale sailboats to fully licensed powerboats, exceed expectations and provide years of radio control fun and excitement. Whether your passion leads you towards the pure serenity of sailing or the all-out speed of a Deep-V, Pro Boat models fit your taste, budget and lifestyle. You can count on us to be available any time you need help—the brand is backed by Horizon Hobby, one of the world's largest distributors of hobby-grade RC products. The Pro Boat brand will help you turn your boating passion into a reality, whether you're new to the hobby or an old pro.

Please read this manual for operation and maintenance instructions.

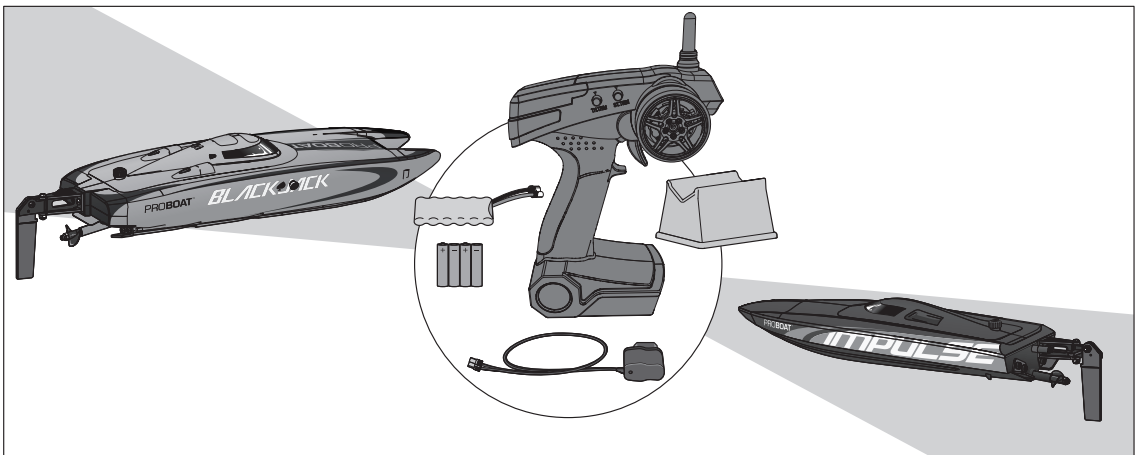
Register your boat online at www.proboatmodels.com.

Recommended Tools and Materials

- Needle nose pliers
- Paper towel
- Rubbing alcohol
- Temporary threadlock
- Motor spray (DYN5500)
- Nut driver: 4.0mm
- Phillips screwdriver: #1
- Hex wrench: 1.5mm
- Clear tape (PRB0102)
- Pro Boat® Marine Grease and Gun (PRB0100)

Product Inspection

Carefully remove the boat and radio transmitter from the box. Inspect the boat for damage. If you find damage is present, please contact the retailer where you purchased your boat.



Specifications

Impulse™ 9

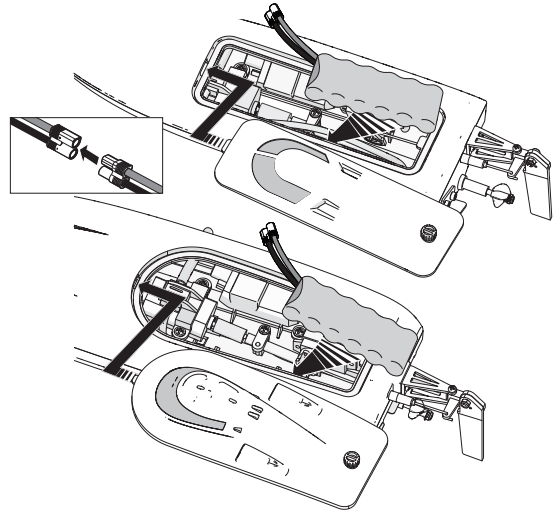
Length	9 in (228.6mm)	Receiver	2-channel 2.4GHz	Battery and Charger	Wall Charger
Beam (width)	2.8 in (71.1mm)	Hull Material	ABS Plastic		6-cell 260mAh Ni-MH battery
Transmitter	2.4GHz Pistol Grip Transmitter (ECX13001)	Motor	180 water-cooled Brushed Motor		4 AA batteries (included) to operate the transmitter.
		ESC	20 Amp Brushed		

Blackjack™ 9

Length	9 in (228.6mm)	Receiver	2-channel 2.4GHz	Battery and Charger	Wall Charger
Beam (width)	3.3 in (83.8mm)	Hull Material	ABS Plastic		6-cell 260mAh Ni-MH battery
Transmitter	2.4GHz Pistol Grip Transmitter (ECX13001)	Motor	180 water-cooled Brushed Motor		4 AA batteries (included) to operate the transmitter.
		ESC	20 Amp Brushed		

Boat Battery Pack Installation

1. Turn the latch on the canopy and carefully pull up and back from the hull. A tab on the front of the canopy fits in a slot in the hull.
2. Adhere loop tape (included) to the battery. Do not cover the battery warning label.
3. Connect the battery.
4. Secure the boat battery on the hook strip in the boat.
5. Refer to the Getting Started instructions about powering on your boat.



Charging Warnings



WARNING: Failure to exercise caution while using this product and comply with the following warnings could result in product malfunction, electrical issues, excessive heat, FIRE, and ultimately injury and property damage.

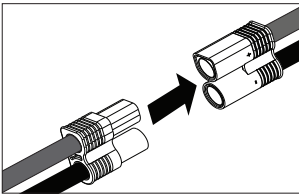
- Read all safety precautions and literature prior to use of this product.
- Never leave the battery and charger unattended during use.
- Never allow children under 14 years of age to charge battery packs.
- Never attempt to charge damaged batteries.
- Never charge a battery if the cable has been pinched or shorted.
- Never allow the batteries or charger to come into contact with moisture at any time.
- Never charge batteries in extremely hot or cold places (recommended between 50–80°F (10–26°C)) or in direct sunlight.
- Always use only Ni-MH rechargeable batteries. This charger cannot charge batteries such as “heavy duty”, “alkaline”, “mercury” or “lithium” batteries.
- Always connect to the charger correctly.
- Always disconnect the battery and charger after charging and let them cool between charges.
- Always inspect the battery before charging.
- Always terminate all processes and contact Horizon Hobby if the product malfunctions.
- Always make sure you know the specifications of the battery to be charged or discharged to ensure it meets the requirements of this charger.
- Always connect the charge cable to the charger first, then connect the battery to avoid short circuit between the charge leads. Reverse the sequence when disconnecting.
- Always constantly monitor the temperature of the battery pack while charging.
- Always end the charging process if the charger or battery becomes hot to the touch or starts to change form during the charge process.

Battery Charger

Battery charging requires approximately 2 hours.

Instructions

1. Connect the Ni-MH peak charger to an AC power source.
2. The Power LED and Charging LED will turn GREEN when the charger is connected to the AC power source.
3. Connect the EC2™ battery pack connector to the charge connector.
4. The Charging LED will turn RED.
5. When the battery pack is fully charged, the Charging LED will turn GREEN.

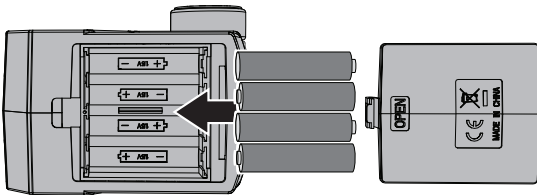


6. Disconnect the battery pack connector from the charge connector.
7. Disconnect the charger from the AC power source.



CAUTION: If at any time during the charge process the battery pack becomes hot to the touch, unplug the battery immediately and discontinue the charge process.

Transmitter Battery Installation



This transmitter requires 4 AA batteries.

1. Remove the battery cover from the transmitter.
2. Install the batteries as shown.
3. Install the battery cover.

Transmitter Controls

Battery Level Indicator

Solid Red and Green: Battery voltage is good (above 4V).

Solid Red: Battery voltage is critically low (below 4V). Replace transmitter batteries.

Reverse Switch

Allows you to change the direction of steering (ST. REV) and throttle (TH. REV) controls (Ensure proper function with a radio system test).

Throttle Dual Rate

Adjusts the maximum amount of throttle the vehicle can be given

Power Switch

Power on or off the transmitter

Steering Dual Rate

Adjusts the amount the rudder moves when the steering wheel is turned left or right

Throttle Trim

Adjusts the neutral point of the electronic speed control

Steering Wheel

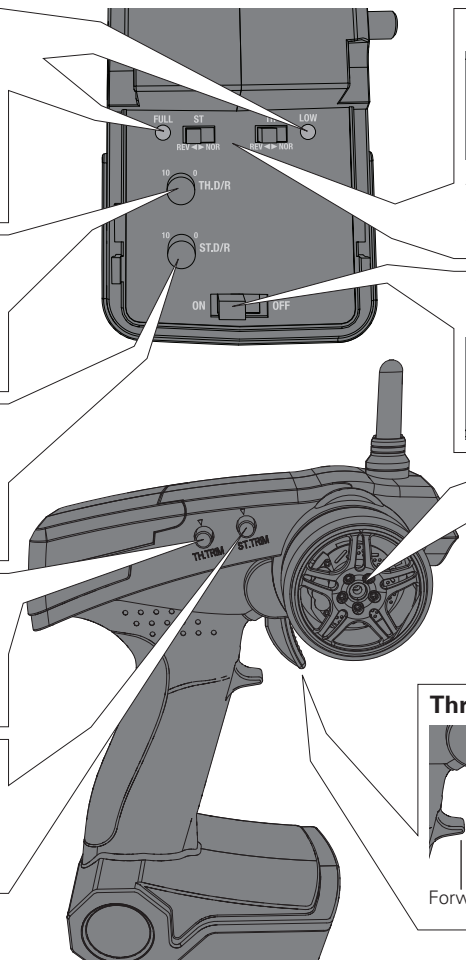
Control steering. Right and Left steering

Throttle Trigger

Controls power to the motor for forward or reverse

Steering Trim

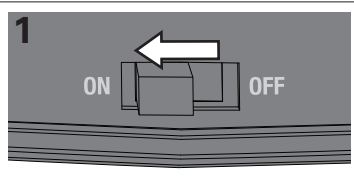
Adjust to make the vehicle drive straight with no input at the steering wheel



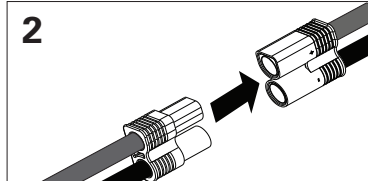
Getting Started

1. Power on the transmitter.
2. Connect the battery.
3. Power on the ESC switch.
4. Test the transmitter's control of the boat with the boat on the display stand.
5. After launching the boat in the water, start driving slowly. If the boat does not go straight, adjust the steering trim dial on the transmitter.

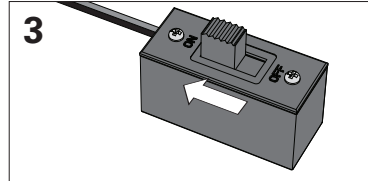
1



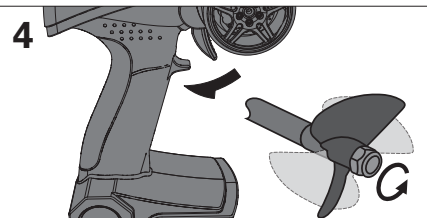
2



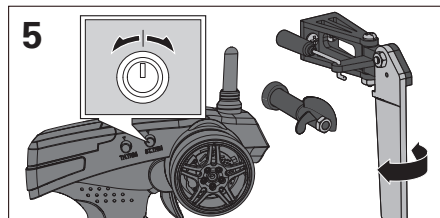
3



4



5

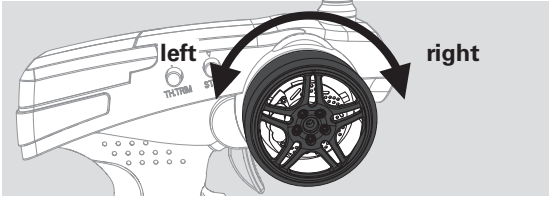


Checking the Radio System

CAUTION: Always keep all body parts, hair and dangling or loose items away from a spinning propeller, as these could become entangled.

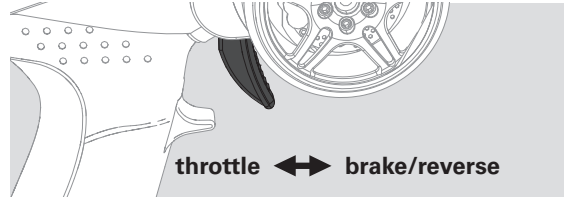
NOTICE: Always power on the transmitter before powering on the ESC. Always power off the ESC before powering off the transmitter. Never transport the boat with the battery connected to the ESC.

1. Turn the transmitter throttle and steering trim knobs to the 10 o'clock position.



2. Power on the transmitter.
3. Connect a fully charged battery to the ESC.
4. Power on the ESC. The boat will beep 3 times.
5. Ensure the rudder moves in the proper direction when the steering wheel is moved left or right.
6. Pull the throttle to full, then return the throttle to neutral, ensuring the propeller turns counterclockwise.

The auto-sensing voltage cutoff will also engage when the ESC detects a low battery charge. Release the throttle and recharge the battery.



Binding

Failsafe

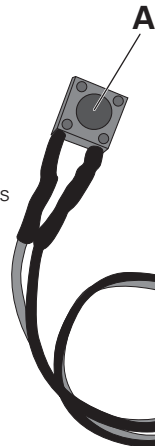
In the unlikely event that the radio connection is lost during use (possibly due to low transmitter batteries or distance between the receiver and transmitter), the receiver will hold the rudder at the last command with no throttle.

If the receiver is powered on before powering on the transmitter, the receiver will enter this failsafe mode. When the transmitter is powered on, normal control is resumed.

Binding is the process of programming the receiver to recognize the GUID (Globally Unique Identifier) code of a single specific transmitter. The included transmitter and receiver are bound at the factory. If you need to rebind, follow the instructions below.

1. Power off the transmitter and ESC.
2. Connect a fully charged battery pack to the ESC.
3. Press and hold the bind button while powering up the ESC. After 2 seconds the ESC will be in bind mode.
4. Release the bind button and power on transmitter.
5. Binding is complete when you hear three beeps from the ESC.

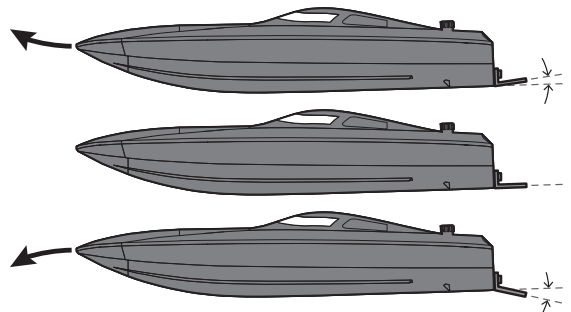
You must rebind when binding the receiver to a different transmitter.



NOTICE: Do not attempt to bind the transmitter and receiver if there are other compatible transmitters in bind mode within 400 feet. Doing so may result in unexpected binding.

Trim Tab Adjustment

Ensure the trim tab panels are parallel to the bottom of the Impulse hull and a few degrees down on the Blackjack hull. You may desire to bend the trim tabs for wind and water conditions. To adjust the angle of the trim tabs, use a large pair of pliers to bend the tabs. This must be done carefully so that you do not damage the hull.



Testing your Boat in the Water

1. Carefully place the boat in the water.
2. Operate the boat at slow speeds near the shoreline. Avoid objects in the water at all times.
3. Once you are comfortable operating the boat at slow speeds, it is safe to operate the boat farther from the shore.

Tip: If you are using too much steering trim on your transmitter to make the boat drive straight, return the trim to neutral and mechanically center the rudder. To do this, carefully bend the linkage a small amount.

4. When the boat is moving forward, ensure water flows out of the coolant outlet on the boat. If water does not flow out of this outlet, remove any blockage from the rear inlet and coolant system or the motor may overheat.
5. Bring the boat back to shore when you notice the boat starting to lose speed.
6. Power off the ESC and disconnect the battery pack.
7. Allow the motor, ESC and battery pack to cool before charging the batteries or operating the boat again.

NOTICE: Do not turn off the transmitter first or the receiver may pick up stray signals and run out of control.

Boating Tips

Avoid boating near other watercraft, stationary objects, waves, wakes and other rapidly moving water, wildlife, floating debris or overhanging trees. You should also be careful to avoid boating in areas where there are many people, such as swimming areas, park waterways or fishing areas. Consult local laws and ordinances before choosing a location to pilot your boat.

Maximum speeds are only achieved when the water conditions are smooth and there is little wind. A sharp turn, wind or waves can turn over a boat when it is moving quickly. Always pilot your boat for the wind and water conditions so that the boat does not turn over.

When running your boat for the first time, we recommend calm wind and water conditions so that you can learn how the boat responds to your control.

When making turns, decrease the throttle to reduce the probability of flipping the boat over.

Never operate your boat in less than 3 inches (8 cm) of water.

NOTICE: When running at full speed in choppy waters, the prop may exit and re-enter the water repeatedly and very quickly, subjecting the propeller to some stress. Frequent stress may damage the propeller.



CAUTION: Do not operate this product in vinyl-covered or inflatable pools. Sharp components may cause damage to these materials.



CAUTION: Never retrieve your boat from the water in extreme temperatures, turbulence or without supervision.

Motor Care

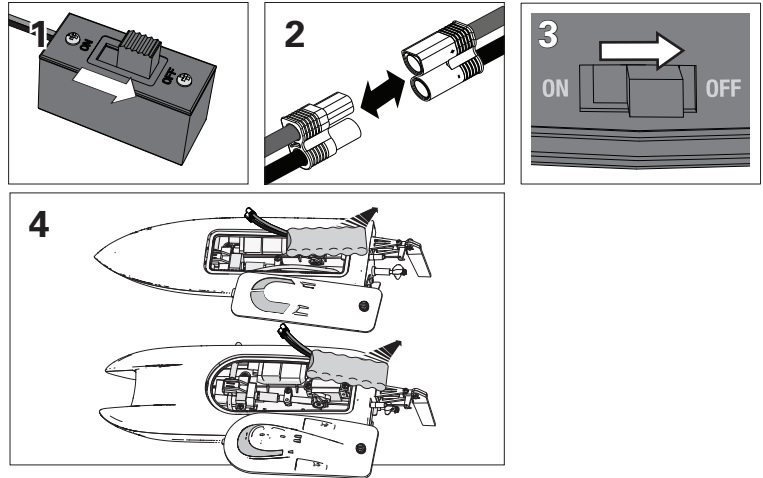
Seat the motor brushes by driving smoothly on calm waters during use of the first battery charge.

Avoid potential overheating conditions, such as blockage in the cooling tubes, driving against heavy resistance or debris in the drive system.

When you are Finished

1. Power off the ESC.
2. Disconnect the battery.
3. Power off the transmitter.
4. Remove the battery from the boat.

Tip: Always store the boat open (without the hatch sealed) or moisture may allow mold and mildew to grow in the boat.



Maintenance

Always replace the driveshaft when it is damaged or shows visible wear or injury and damage may result.

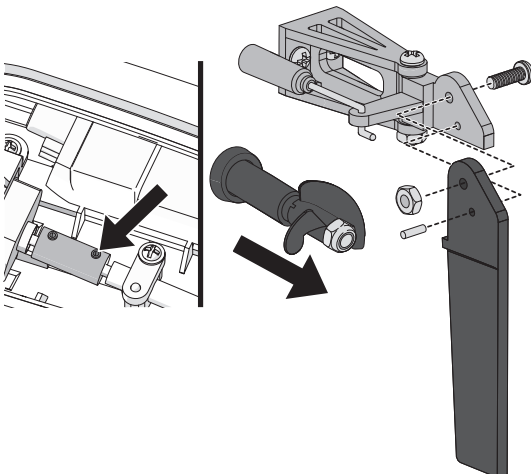
Lubricating the shaft is vital to the life of the drivetrain. The lubricant also acts as a water seal, keeping water from entering the hull through the stuffing tube.

Lubricate the shaft and all moving parts after every 2–3 hours of operation. Always replace any parts that show visible wear or damage.

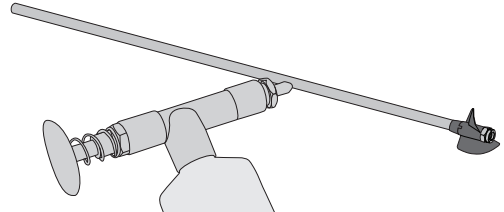
1. Loosen the setscrew holding the driveshaft in the motor coupling and remove the driveshaft from the back of the boat.

Tip: Remove the nut, screw, pin and rudder from the rudder mount to remove the driveshaft more easily.

Tip: Use paper or cloth to touch the driveshaft.



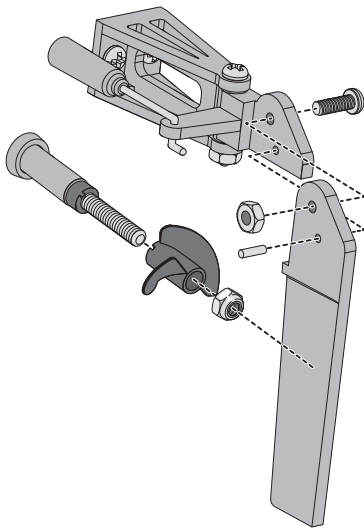
2. Remove the driveshaft by sliding it out of the stuffing tube. Wipe lubricant and material from the shaft. Lubricate the full length of the shaft assembly up to the drive dog using marine grease (PRB0101 or PRB0100).



3. Carefully reinstall the driveshaft, ensuring that there is a 1–2mm gap between the prop strut and the drive dog.
4. Apply threadlock to the coupling setscrew and do not over tighten. Threadlock will help prevent the driveshaft from loosening during use.

NOTICE: Running the boat in saltwater could cause some parts to corrode. If you run the boat in saltwater, rinse it thoroughly in freshwater after each use and lubricate the drive system.

NOTICE: Because of its corrosive effects, running RC boats in saltwater is at the discretion of the modeler.



Rudder Service

1. Remove the nut, screw, breakaway pin and rudder from the mount.

IMPORTANT: The pin is designed to break in case of rudder impact. If broken, replace the pin with a wood pin (such as a toothpick).

2. Assemble in reverse order.

IMPORTANT: Do not over tighten the rudder screw. The rudder must be allowed to rotate with some resistance in order to prevent damage to the rudder and/or hull if the rudder comes in contact with an object.

Propeller Service

1. If necessary, use a tool to loosen and tighten the nut.
2. Remove the nut and propeller from the driveshaft.
3. Assemble in reverse order. Correctly align the propeller with the drive dog on the driveshaft.

Checklists

Before Boating

- Install fully charged batteries in your boat and transmitter
- Connect the boat's battery to the ESC
- Make sure the boat is bound to the transmitter (otherwise, bind the boat to the transmitter using the included binding instructions)
- Make sure all linkages move freely on the boat
- Ensure the motor mount is secured to the hull so that the motor does not move
- Perform a Control Direction Test with the transmitter
- Adjust the steering rate on your transmitter as desired
- Find a safe and open boating area
- Plan a safe boating route for the water and wind conditions

After Boating

- Always power off the receiver before powering off the transmitter to maintain control of the boat and to retain transmitter binding
- Disconnect the battery from the receiver and remove the battery from the boat
- Fully dry the inside and outside of the boat, including the water cooling system. Remove the hatch before storing your boat
- Repair any damage or wear to the boat
- Lubricate the driveshaft
- Make note of lessons learned from the trimming of your boat, including water and wind conditions

Tip: The hook and loop strips in the boat retain water. To dry them, press on them with a dry cloth. Use a sponge, paper towel or cloth to remove water from inside the hull.

NOTICE: When you are finished boating, never leave the boat in direct sunlight or in a hot, enclosed area such as a car. Doing so can damage the boat.

Troubleshooting Guide

Problem	Possible Cause	Solution
Boat will not respond to throttle but responds to other controls	Throttle servo travel is lower than 100%	Make sure throttle dual rate is turned up to 10
	Throttle channel is reversed	Reverse throttle channel on transmitter
Extra noise or extra vibration	Damaged propeller, shaft or motor	Replace damaged parts
	Propeller is out of balance	Balance or replace propeller

Reduced run time or boat underpowered	Boat battery charge is low	Completely recharge battery
	Boat battery is damaged	Replace boat battery and follow battery instructions
	Blocking or friction on shaft or propeller	Disassemble, lubricate and correctly align parts
	Boat conditions may be too cold	Make sure battery is warm before use
	Battery capacity may be too low for conditions	Replace battery or use a larger capacity battery
	Drive dog is too close to the stuffing tube	Loosen coupling at driveshaft and move out driveshaft a small amount
	Too little lubrication on driveshaft	Fully lubricate driveshaft
	Vegetation or other obstacles block the rudder or propeller	Remove boat from the water and obstacles
Boat will not Bind (during binding) to transmitter	Transmitter is too near boat during binding process	Move powered transmitter a few feet from boat, disconnect and reconnect battery to boat
	Boat or transmitter is too close to large metal object, wireless source or another transmitter	Move boat and transmitter to another location and attempt binding again
	Boat battery/Transmitter battery charge is too low	Replace/recharge batteries
	Another compatible transmitter is powered on within range of the ESC	Turn off all compatible transmitters except the one you are trying to bind
	ESC switch is off	Power on ESC switch
Boat will not connect (after binding) to transmitter	Transmitter is too near boat during connecting process	Move powered transmitter a few feet from boat, disconnect and reconnect battery to boat
	Boat or transmitter is too close to large metal object, wireless source or another transmitter	Move boat and transmitter to another location and attempt connecting again
	Boat battery/transmitter battery charge is too low	Replace/recharge batteries
	ESC switch is off	Power on ESC switch
Boat tends to dive in the water or takes on water	The boat hull is not completely closed	Dry out the boat and ensure the hatch is fully closed on the hull before returning the boat to the water
	Center of gravity is too far forward	Move battery back in the hull
Boat tends to turn one direction	Rudder or rudder trim is not centered	Repair rudder or adjust rudder and rudder trim for straight running when control is at neutral
Rudder does not move	Rudder, linkage or servo damage	Replace or repair damaged parts and adjust controls
	Wire is damaged or connections are loose	Do a check of wires and connections, connect or replace as needed
	Transmitter is not bound correctly	Re-bind receiver to the transmitter
	BEC (Battery Elimination Circuit) of the ESC is damaged	Replace ESC
	ESC switch is off	Power on ESC switch
Controls reversed	Transmitter settings are reversed	Do the Control Direction Test and adjust controls on transmitter appropriately
Motor overheats	Blocked water cooler tubes	Clean or replace water tubes
Motor power pulses then motor loses power	ESC uses default soft Low Voltage Cut-off (LVC)	Recharge boat battery or replace battery that is no longer performing
	Weather conditions might be too cold	Postpone until weather is warmer
	Battery is old, worn out or damaged	Replace battery
	Battery C rating might be too small	Use recommended battery

LIMITED WARRANTY

What this Warranty Covers

Horizon Hobby, Inc., (Horizon) warrants to the original purchaser that the product purchased (the "Product") will be free from defects in materials and workmanship at the date of purchase.

What is Not Covered

This warranty is not transferable and does not cover (i) cosmetic damage, (ii) damage due to acts of God, accident, misuse, abuse, negligence, commercial use, or due to improper use, installation, operation or maintenance, (iii) modification of or to any part of the Product, (iv) attempted service by anyone other than a Horizon Hobby authorized service center, (v) Product not purchased from an authorized Horizon dealer, or (vi) Product not compliant with applicable technical regulations.

OTHER THAN THE EXPRESS WARRANTY ABOVE, HORIZON MAKES NO OTHER WARRANTY OR REPRESENTATION, AND HEREBY DISCLAIMS ANY AND ALL IMPLIED WARRANTIES, INCLUDING, WITHOUT LIMITATION, THE IMPLIED WARRANTIES OF NON-INFRINGEMENT, MERCHANTABILITY AND FITNESS FOR A PARTICULAR PURPOSE. THE PURCHASER ACKNOWLEDGES THAT THEY ALONE HAVE DETERMINED THAT THE PRODUCT WILL SUITABLY MEET THE REQUIREMENTS OF THE PURCHASER'S INTENDED USE.

Purchaser's Remedy

Horizon's sole obligation and purchaser's sole and exclusive remedy shall be that Horizon will, at its option, either (i) service, or (ii) replace, any Product determined by Horizon to be defective. Horizon reserves the right to inspect any and all Product(s) involved in a warranty claim. Service or replacement decisions are at the sole discretion of Horizon. Proof of purchase is required for all warranty claims. SERVICE OR REPLACEMENT AS PROVIDED UNDER THIS WARRANTY IS THE PURCHASER'S SOLE AND EXCLUSIVE REMEDY.

Limitation of Liability

HORIZON SHALL NOT BE LIABLE FOR SPECIAL, INDIRECT, INCIDENTAL OR CONSEQUENTIAL DAMAGES, LOSS OF PROFITS OR PRODUCTION OR COMMERCIAL LOSS IN ANY WAY, REGARDLESS OF WHETHER SUCH CLAIM IS BASED IN CONTRACT, WARRANTY, TORT, NEGLIGENCE, STRICT LIABILITY OR ANY OTHER THEORY OF LIABILITY, EVEN IF HORIZON HAS BEEN ADVISED OF THE POSSIBILITY OF SUCH DAMAGES. Further, in no event shall the liability of Horizon exceed the individual price of the Product on which liability is asserted. As Horizon has no control over use, setup, final assembly, modification or misuse, no liability shall be assumed nor accepted for any resulting damage or injury. By the act of use, setup or assembly, the user accepts all resulting liability. If you as the purchaser or user are not prepared to accept the liability associated with the use of the Product, purchaser is advised to return the Product immediately in new and unused condition to the place of purchase.

Law

These terms are governed by Illinois law (without regard to conflict of law principals). This warranty gives you specific legal rights, and you may also have other rights which vary from state to state. Horizon reserves the right to change or modify this warranty at any time without notice.notice.

WARRANTY SERVICES

Questions, Assistance, and Services

Your local hobby store and/or place of purchase cannot provide warranty support or service. Once assembly, setup or use of the Product has been started, you must contact your local distributor or Horizon directly. This will enable Horizon to better answer your questions and service you in the event that you may need any assistance. For questions or assistance, please visit our website at www.horizonhobby.com, submit a Product Support Inquiry, or call the toll free telephone number referenced in the Warranty and Service Contact Information section to speak with a Product Support representative.

Inspection or Services

If this Product needs to be inspected or serviced and is compliant in the country you live and use the Product in, please use the Horizon Online Service Request submission process found on our website or call Horizon to obtain a Return Merchandise Authorization (RMA) number. Pack the Product securely using a shipping carton. Please note that original boxes may be included, but are not designed to withstand the rigors of shipping without additional protection. Ship via a carrier that provides tracking and insurance for lost or damaged parcels, as Horizon is not responsible for merchandise until it arrives and is accepted at our facility. An Online Service Request is available at http://www.horizonhobby.com/content/_service-center_render-service-center. If you do not have internet access, please contact Horizon Product Support to obtain a RMA number along with instructions for submitting your product for service. When calling Horizon, you will be asked to provide your complete name, street address, email address and phone number where you can be reached during business hours. When sending product into Horizon, please include your RMA number, a list of the included items, and a brief summary of the problem. A copy of your original sales receipt must be included for warranty consideration. Be sure your name, address, and RMA number are clearly written on the outside of the shipping carton.

NOTICE: Do not ship LiPo batteries to Horizon. If you have any issue with a LiPo battery, please contact the appropriate Horizon Product Support office.

Warranty Requirements

For Warranty consideration, you must include your original sales receipt verifying the proof-of-purchase date. Provided warranty conditions have been met, your Product will be serviced or replaced free of charge. Service or replacement decisions are at the sole discretion of Horizon.

Non-Warranty Service

Should your service not be covered by warranty, service will be completed and payment will be required without notification or estimate of the expense unless the expense exceeds 50% of the retail purchase cost. By submitting the item for service you are agreeing to payment of the service without notification. Service estimates are available upon request. You must include this request with your item submitted for service. Non-warranty service estimates will be billed a minimum of ½ hour of labor. In addition you will be billed for return freight. Horizon accepts money orders and cashier's checks, as well as Visa, MasterCard, American Express, and Discover cards. By submitting any item to Horizon for service, you are agreeing to Horizon's Terms and Conditions found on our website http://www.horizonhobby.com/content/_service-center_render-service-center.

ATTENTION: Horizon service is limited to Product compliant in the country of use and ownership. If received, a non-compliant Product will not be serviced. Further, the sender will be responsible for arranging return shipment of the un-serviced Product, through a carrier of the sender's choice and at the sender's expense. Horizon will hold non-compliant Product for a period of 60 days from notification, after which it will be discarded.


Warranty and Service Contact Information

Country of Purchase	Horizon Hobby	Contact Information	Address
United States of America	Horizon Service Center (Repairs and Repair Requests)	servicecenter.horizonhobby.com/RequestForm/	4105 Fieldstone Rd Champaign, Illinois, 61822 USA
	Horizon Product Support (Product Technical Assistance)	www.quickbase.com/db/bghj7ey8c?a=GenNewRecord	
		888-959-2306	
	Sales	sales@horizonhobby.com 888-959-2306	
United Kingdom	Service/Parts/Sales: Horizon Hobby Limited	sales@horizonhobby.co.uk +44 (0) 1279 641 097	Units 1-4 , Ployters Rd, Staple Tye Harlow, Essex, CM18 7NS, United Kingdom
Germany	Horizon Technischer Service	service@horizonhobby.de	Christian-Junge-Straße 1 25337 Elmshorn, Germany
	Sales: Horizon Hobby GmbH	+49 (0) 4121 2655 100	
France	Service/Parts/Sales: Horizon Hobby SAS	infofrance@horizonhobby.com +33 (0) 1 60 18 34 90	11 Rue Georges Charpak 77127 Lieusaint, France
China	Service/Parts/Sales: Horizon Hobby – China	info@horizonhobby.com.cn +86 (021) 5180 9868	Room 506, No. 97 Changshou Rd. Shanghai, China 200060

FCC Information

This device complies with part 15 of the FCC rules. Operation is subject to the following two conditions:

- (1) This device may not cause harmful interference, and
- (2) This device must accept any interference received, including interference that may cause undesired operation.

 **CAUTION:** Changes or modifications not expressly approved by the party responsible for compliance could void the user's authority to operate the equipment.

This product contains a radio transmitter with wireless technology which has been tested and found to be compliant with the applicable regulations governing a radio transmitter in the 2.400GHz to 2.4835GHz frequency range.

IC Information

This device complies with Industry Canada licence-exempt RSS standard(s). Operation is subject to the following two conditions: (1) this device may not cause interference, and (2) this device must accept any interference, including interference that may cause undesired operation of the device.

Compliance Information for the European Union

Declaration of Conformity (in accordance with ISO/IEC 17050-1)

No. HH2013042005

Product(s): PRB Impulse 9-inch Deep V,
Brushed: RTR
Item Number(s): PRB080001
Equipment class: 1

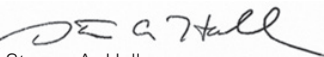
The object of declaration described above is in conformity with the requirements of the specifications listed below, following the provisions of the European R&TTE directive 1999/5/EC, EMC Directive 2004/108/EC and LVD Directive 2006/95/EC:

EN 300-328 V1.7.1: 2006
EN 301 489-1 V1.7.1: 2006
EN 301 489-17 V1.3.2: 2008

EN60950-1:2006+A11:2009+A1:2010+A12: 2011

EN55022:2010 + AC:2011
EN55024:2010
EN61000-3-2:2006+A1:2009+A2:2009
EN61000-3-3:2008

Signed for and on behalf of:
Horizon Hobby, Inc.
Champaign, IL USA
Apr 20, 2013



Steven A. Hall
Executive Vice President and Chief Operating Officer
International Operations and Risk Management
Horizon Hobby, Inc.

Declaration of Conformity (in accordance with ISO/IEC 17050-1)

No. HH2013042004

Product(s): PRB Blackjack 9-inch Catamaran,
Brushed: RTR
Item Number(s): PRB080011
Equipment class: 1

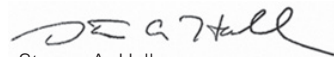
The object of declaration described above is in conformity with the requirements of the specifications listed below, following the provisions of the European R&TTE directive 1999/5/EC, EMC Directive 2004/108/EC and LVD Directive 2006/95/EC:

EN 300-328 V1.7.1: 2006
EN 301 489-1 V1.7.1: 2006
EN 301 489-17 V1.3.2: 2008

EN60950-1:2006+A11:2009+A1:2010+A12: 2011

EN55022:2010 + AC:2011
EN55024:2010
EN61000-3-2:2006+A1:2009+A2:2009
EN61000-3-3:2008

Signed for and on behalf of:
Horizon Hobby, Inc.
Champaign, IL USA
Apr 20, 2013



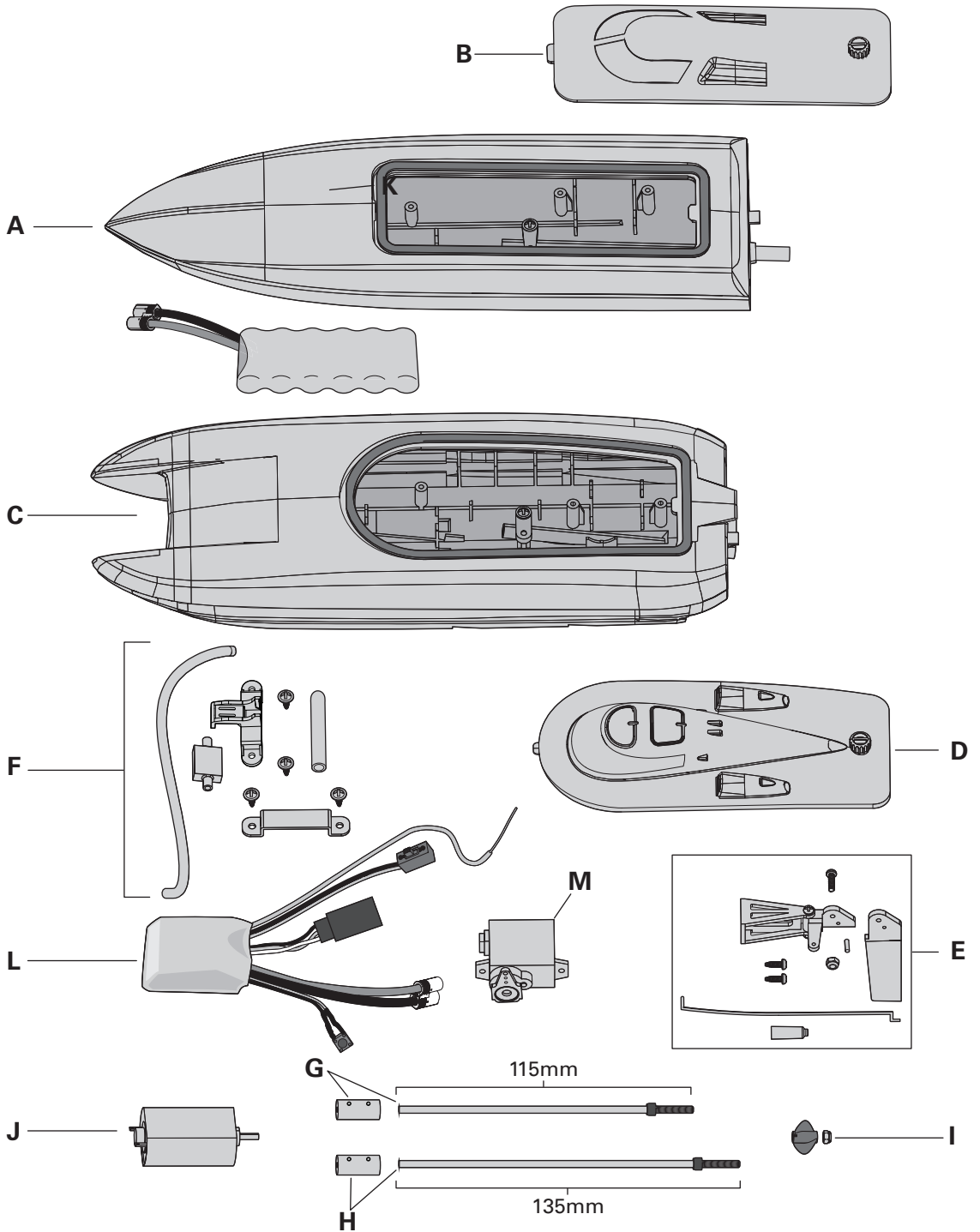
Steven A. Hall
Executive Vice President and Chief Operating Officer
International Operations and Risk Management
Horizon Hobby, Inc.



Instructions for Disposal of WEEE by Users in the European Union

This product must not be disposed of with other waste. Instead, it is the user's responsibility to dispose of their waste equipment by handing it over to a designated collection point for the recycling of waste electrical and electronic equipment. The separate collection and recycling of your waste equipment at the time of disposal will help to conserve natural resources and ensure that it is recycled in a manner that protects human health and the environment. For more information about where you can drop off your waste equipment for recycling, please contact your local city office, your household waste disposal service or where you purchased the product.

Identification of Components / Identifizierung der Komponenten
 Identification des composants / Identificazione dei componenti



Replacement Parts / Ersatzteile / Pièces de rechange / Pezzi di ricambio

Part # Nummer Numéro Codice	Description	Beschreibung	Description	Descrizione	
A	PRB281000	Hull only: Impulse 9-inch	Proboat Impulse 9: Rumpf	Impulse 9 - Coque seule	Solo scafo: Impulse 9-inch
B	PRB281001	Canopy: Impulse 9-inch	Proboat Impulse 9: Kabinenhaube	Impulse 9 - Cockpit	Capottina: Impulse 9-inch
C	PRB281002	Hull only: Blackjack 9-inch	Proboat Blackjack 9: Rumpf und Dekorbogen	Blackjack 9 - Coque seule	Solo scafo: Blackjack 9-inch
D	PRB281003	Canopy: Blackjack 9-inch	Proboat Blackjack 9: Kabinenhaube	Blackjack 9 - Cockpit	Capottina: Blackjack 9-inch
E	PRB281004	Rudder mount, assembly and pushrod: 9-inch	Proboat IM9, BJ9: Ruder m Zbh.	Impulse 9/Blackjack 9 - Support de gouvernail et tringlerie	Gruppo timone e comando: 9-inch
F	PRB286004	Cooling, servo hold down and motor mount: 9-inch	Proboat IM9, BJ9: Servohalter, Motorkühlung Motorträger	Impulse 9/Blackjack 9 - Support de servo, de moteur et refroidissement	Raffreddamento, fascetta servo e supporto motore: 9-inch
G	PRB282001	Driveshaft & coupler: Blackjack 9	Proboat Impulse 9: Welle u. Kupplung	Blackjack 9 - Arbre de transmission et accouplement	Albero trasmissione e accoppiatore: Blackjack 9
H	PRB282004	Driveshaft & coupler: Impulse 9	Proboat Impulse 9: Antriebswelle und Kupplung	Impulse 9 - Arbre de transmission et accouplement	Albero trasmissione e accoppiatore: Impulse 9
I	PRB282002	Propeller: Impulse, Blackjack: 9-inch	Proboat Impulse 9, Blackjack 9: Propeller	Impulse 9/Blackjack 9 - Hélice	Elica: Impulse, Blackjack: 9-inch
	PRB289000	Decal: Impulse 9-inch	Proboat Impulse 9: Dekorbogen	Impulse 9 - Planche de décoration	Adesivi: Impulse 9-inch
	PRB289001	Decal: Blackjack 9-inch	Proboat Blackjack 9: Dekorbogen	Blackjack 9 - Planche de décoration	Adesivi: Blackjack 9-inch
J	PRB18002	Motor brushed: 9-inch Blackjack, 9-inch Impulse	Proboat Blackjack 9, Impulse 9: Bürstenmotor	Impulse 9/Blackjack 9 - Moteur	Motore c/spazzole: 9-inch Blackjack, 9-inch Impulse
K	DYNB0104EC	7.2V 260mAH NiMH 6C Flat, EC2: PRB08000, 08001	7.2V 260mAH NiMH 6 Zellen Flach, EC2: PRB08000, 08001	Batterie Ni-MH 7.2V 260mA, prise EC2	7.2V 260mAH NiMH 6C Flat, EC2: PRB08000, 08001
L	ECX13001	20 amp ESC/receiver Unit	20 A ESC/ Empfänger Einheit	Module récepteur/ variateur 20A	20 amp ESC/unità ricevente
M	PRB3495	9 g Servo	9 g Servo	9 g Servo	9 g Servo
	ECX13001	2.4GHz Pistol Grip Transmitter	2,4 Ghz Colt Sender	Emetteur à volant 2.4GHz	2.4GHz trasmettitore con impugnatura a pistola

Optional Parts / Diverse Teile / Pièces optionnelles / Componenti opzionali

Part # Nummer Numéro Codice	Description	Beschreibung	Description	Descrizione
PRB0100	Marine Grease	Marine Fett	Graisse marine	Grasso marino
PRB0102	Waterproof Tape	Proboat Clearflex Klebeband	Ruban adhésif étanche	Nastro impermeabile
DYN5500	Motor spray	Dynamite Magnum Force Motorreinigungsspray. 390ml	Nettoyant moteur en bombe	Spray motore

39965 Created: 4/2013
©2013 Horizon Hobby, Inc.

Pro Boat, Impulse, Blackjack, Dynamite, Speedpack, Prophet, EC2, the Pro Boat logo and the Horizon Hobby logo are trademarks or registered trademarks of Horizon Hobby, Inc. All other trademarks, service marks and logos are property of their respective owners.