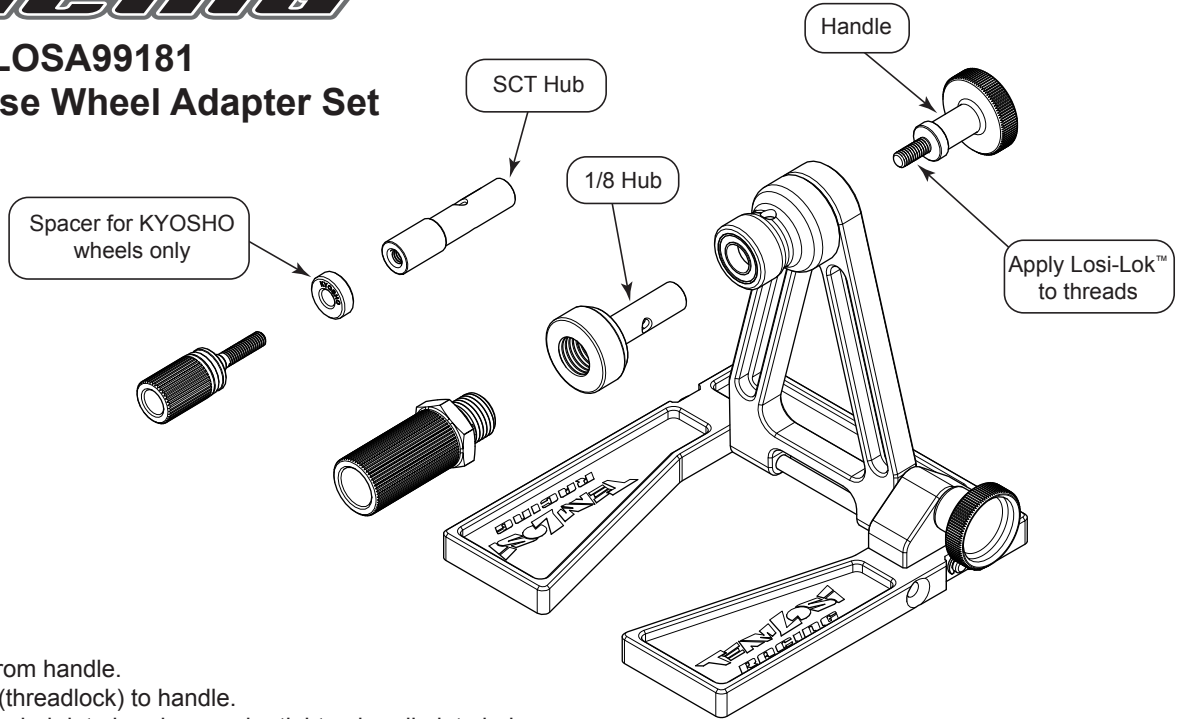




LOSA99181 Short Course Wheel Adapter Set

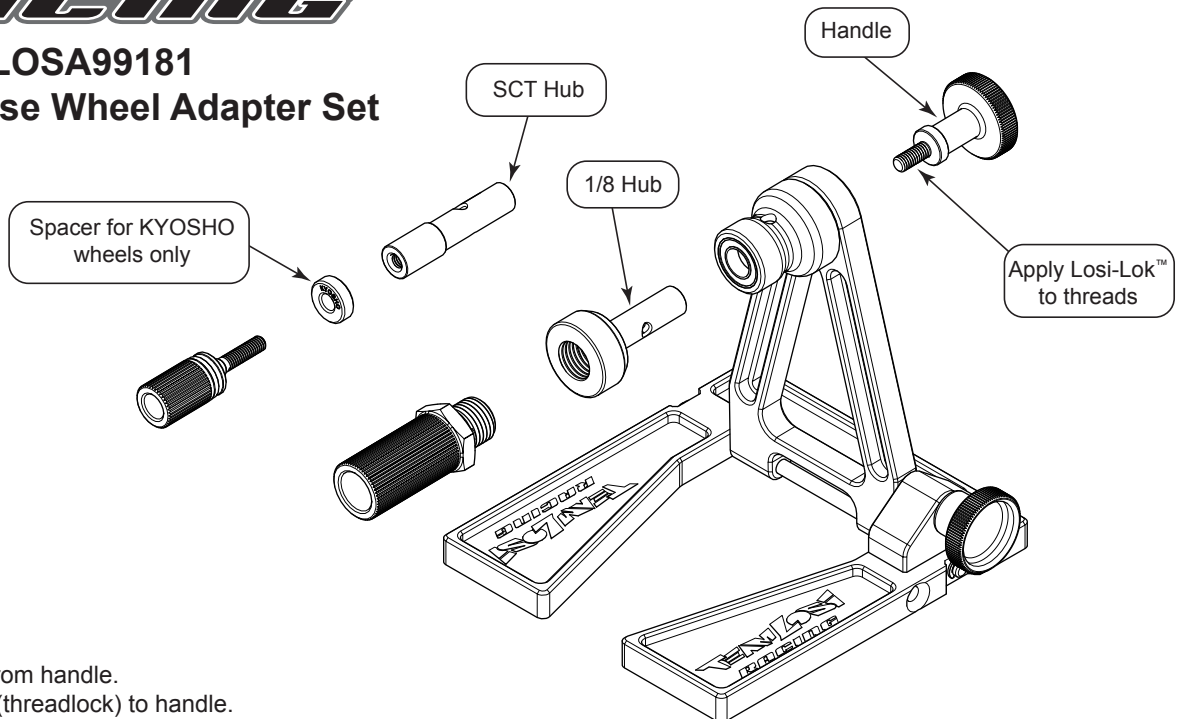


- 1) Remove 1/8 hub from handle.
- 2) Reapply Losi-Lok (threadlock) to handle.
- 3) Insert Short Course hub into bearings and retighten handle into hub.
- 4) Spacer labeled "KYOSHO" for Kyosho wheels only. For all other wheels use without spacer.
- 5) Install wheel with outside facing hub.

Printed in Taiwan, 07/2010
800-0442
29650



LOSA99181 Short Course Wheel Adapter Set



- 1) Remove 1/8 hub from handle.
- 2) Reapply Losi-Lok (threadlock) to handle.
- 3) Insert Short Course hub into bearings and retighten handle into hub.
- 4) Spacer labeled "KYOSHO" for Kyosho wheels only. For all other wheels use without spacer.
- 5) Install wheel with outside facing hub.

Printed in Taiwan, 07/2010
800-0442
29650