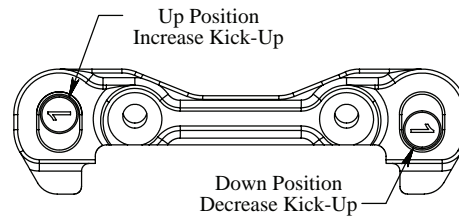
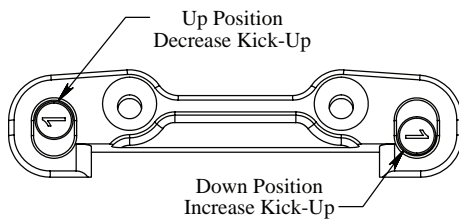
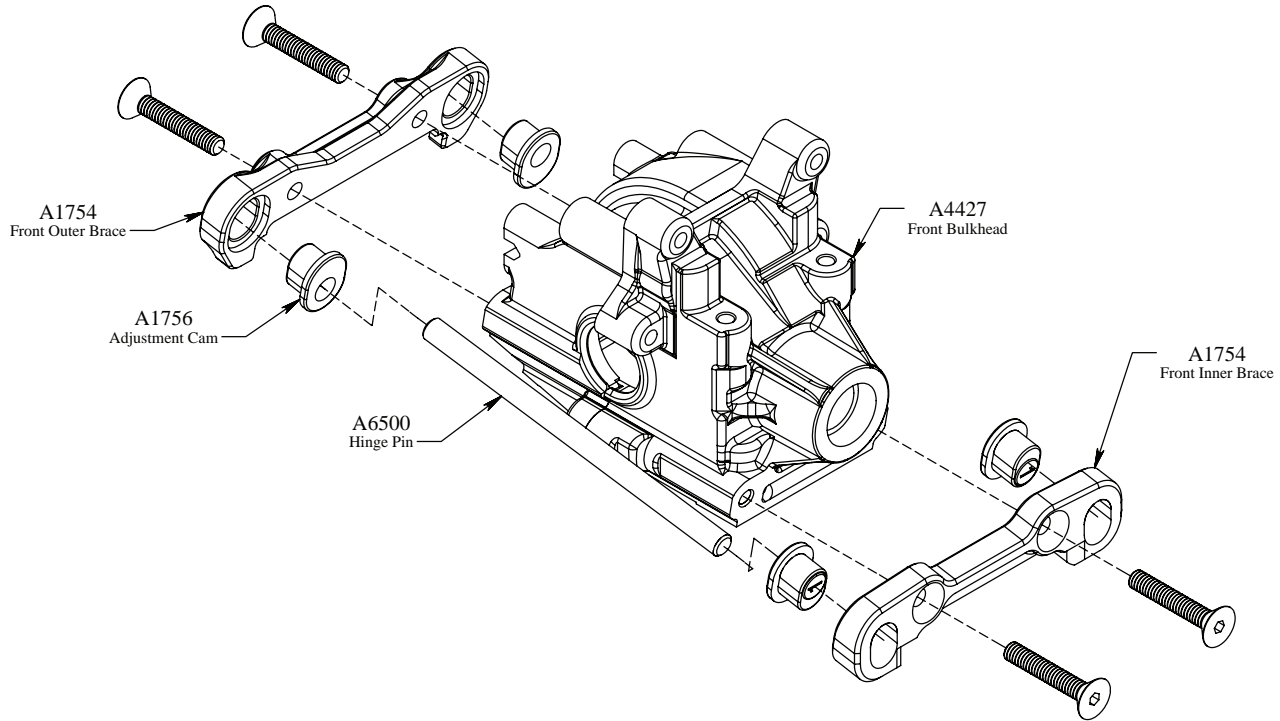


STEP A-01

Adjustable Hinge Pin Brace Install



Front Kick-Up Angle Adjustment

Outer Front Brace		Inner Front Brace		Total Kick-Up
Insert Position	Insert Number	Insert Position	Insert Number	
Up	1°	Down	1°	+2°
Up	0.5°	Down	0.5°	+1°
Middle	0°	Middle	0°	0°
Down	0.5°	Up	0.5°	-1°
Down	1°	Up	1°	-2°

- Remove the Bulkhead from the chassis.
- Remove the existing Hinge Pin Braces and plastic covers.
- Select the desired Adjustment Cam and press it into the new Adjustable Hinge Pin Braces.
- **Note the position of the number on the outside of the Cam. Always install the same number Cam in the same orientation on each side of the car.*
- Install the Inner Adjustable Hinge Pin Brace re-using the mounting hardware.
- Align the Arms and Hinge Pins with the Adjustment Cam.
- Install the Outer Adjustable Hinge Pin Brace re-using the existing hardware.
- Re-attach the bulkhead to the chassis.
- Check the suspension to ensure it moves freely and does not bind.