



RTR  
READY-TO-RUN



# Super ROCKREY



Scan the QR code and select the Manuals and Support quick links from the product page for the most up-to-date manual information.

Scannen Sie den QR-Code und wählen Sie auf der Produktseite die Quicklinks Handbücher und Unterstützung, um die aktuellsten Informationen zu Handbüchern.

Scannez le code QR et sélectionnez les liens rapides Manuals and Support sur la page du produit pour obtenir les informations les plus récentes sur le manuel.

Scannerizzare il codice QR e selezionare i Link veloci Manuali e Supporto dalla pagina del prodotto per le informazioni manuali più aggiornate.

**Batteries and Charger Sold Separately**

**INSTRUCTION MANUAL  
BEDIENUNGSANLEITUNG  
MANUEL D'UTILISATION  
MANUALE DI ISTRUZIONI**

Before operating this vehicle, please read all printed materials thoroughly. Horizon Hobby is not responsible for inadvertent errors in this manual.

**HORIZON**  
H O B B Y

## NOTICE

All instructions, warranties and other collateral documents are subject to change at the sole discretion of Horizon Hobby, LLC. For up-to-date product literature, visit [www.horizonhobby.com](http://www.horizonhobby.com) or [www.towerhobbies.com](http://www.towerhobbies.com) and click on the support or resources tab for this product.


## MEANING OF SPECIAL LANGUAGE

The following terms are used throughout the product literature to indicate various levels of potential harm when operating this product:


**WARNING:** Procedures, which if not properly followed, create the probability of property damage, collateral damage, and serious injury OR create a high probability of superficial injury.

**CAUTION:** Procedures, which if not properly followed, create the probability of physical property damage AND a possibility of serious injury.

**NOTICE:** Procedures, which if not properly followed, create a possibility of physical property damage AND a little or no possibility of injury.

 **WARNING:** Read the ENTIRE instruction manual to become familiar with the features of the product before operating. Failure to operate the product correctly can result in damage to the product, personal property and cause serious injury.

This is a sophisticated hobby product. It must be operated with caution and common sense and requires some basic mechanical ability. Failure to operate this Product in a safe and responsible manner could result in injury or damage to the product or other property. This product is not intended for use by children without direct adult supervision. Do not use with incompatible components or alter this product in any way outside of the instructions provided by Horizon Hobby, LLC. This manual contains instructions for safety, operation and maintenance. It is essential to read and follow all the instructions and warnings in the manual, prior to assembly, setup or use, in order to operate correctly and avoid damage or serious injury.

 **WARNING AGAINST COUNTERFEIT PRODUCTS:** Always purchase from a Horizon Hobby, LLC authorized dealer to ensure authentic high-quality Spektrum product. Horizon Hobby, LLC disclaims all support and warranty with regards, but not limited to, compatibility and performance of counterfeit products or products claiming compatibility with DSM or Spektrum technology.

**Age Recommendation: Not for children under 14 years. This is not a toy.**

## SAFETY PRECAUTIONS AND WARNINGS

As the user of this product, you are solely responsible for operating in a manner that does not endanger yourself and others or result in damage to the product or property of others.

This model is controlled by a radio signal subject to interference from many sources outside your control. This interference can cause momentary loss of control, so it is advisable to always keep a safe distance in all directions around your model as this margin will help avoid collisions or injury.

- Never operate your model with low transmitter batteries.
- Always operate your model in open spaces away from full-size vehicles, traffic and people.
- Never operate the model in the street or in populated areas for any reason.
- Carefully follow the directions and warnings for this and any optional support equipment (chargers, rechargeable battery packs, etc.) you use.
- Keep all chemicals, small parts and anything electrical out of the reach of children.


- Never lick or place any portion of the model in your mouth as it could cause serious injury or even death.
- Exercise caution when using tools and sharp instruments.
- Take care during maintenance as some parts may have sharp edges.
- Immediately after using your model, do NOT touch equipment such as the motor, electronic speed control and battery, because they generate high temperatures. You may burn yourself seriously touching them.
- Do not put fingers or any objects inside rotating and moving parts, as this may cause damage or serious injury.
- Always turn on your transmitter before you turn on the receiver in the car. Always turn off the receiver before turning your transmitter off.
- Keep the wheels of the model off the ground when checking the operation of the radio equipment.

## WATER-RESISTANT VEHICLE WITH WATERPROOF ELECTRONICS

Your new Horizon Hobby vehicle has been designed and built with a combination of waterproof and water-resistant components to allow you to operate the product in many "wet conditions," including puddles, creeks, wet grass, snow and even rain.

While the entire vehicle is highly water-resistant, it is not completely waterproof and your vehicle should NOT be treated like a submarine. The various electronic components used in the vehicle, such as the Electronic Speed Control (ESC), servo(s) and receiver are waterproof, however, most of the mechanical components are water-resistant and should not be submerged.

Metal parts, including the bearings, hinge pins, screws and nuts, as well as the contacts in the electrical cables, will be susceptible to corrosion if additional maintenance is not performed after running in wet conditions. To maximize the long-term performance of your vehicle and to keep the warranty intact, the procedures described in the "Wet Conditions Maintenance" section below must be performed regularly if you choose to run in wet conditions. If you are not willing to perform the additional care and maintenance required, then you should not operate the vehicle in those conditions.

 **CAUTION:** Failure to exercise caution while using this product and complying with the following precautions could result in product malfunction and/or void the warranty.

### GENERAL PRECAUTIONS

- Read through the wet conditions maintenance procedures and make sure that you have all the tools you will need to properly maintain your vehicle.
- Not all batteries can be used in wet conditions. Consult the battery manufacturer before use. Caution should be taken when using Li-Po batteries in wet conditions.
- Most transmitters are not water-resistant. Consult your transmitter's manual or the manufacturer before operation.
- Never operate your transmitter or vehicle where lightning may be present.
- Do not operate your vehicle where it could come in contact with salt water (ocean water or water on salt-covered roads), contaminated or polluted water. Salt water is very conductive and highly corrosive, so use caution.
- Even minimal water contact can reduce the life of your motor if it has not been certified as water-resistant or waterproof. If the motor becomes excessively wet, apply very light

throttle until the water is mostly removed from the motor. Running a wet motor at high speeds may rapidly damage the motor.

- Driving in wet conditions can reduce the life of the motor. The additional resistance of operating in water causes excess strain. Alter the gear ratio by using a smaller pinion or larger spur gear. This will increase torque (and motor life) when running in mud, deeper puddles, or any wet conditions that will increase the load on the motor for an extended period of time.

### WET CONDITIONS MAINTENANCE

- Drain any water that has collected in the tires by spinning them at high speed. With the body removed, place the vehicle upside down and pull full throttle for a few short bursts until the water has been removed.

 **CAUTION:** Always keep hands, fingers, tools and any loose or hanging objects away from rotating parts when performing the above drying technique.

- Remove the battery pack(s) and dry the contacts. If you have an air compressor or a can of compressed air, blow out any water that may be inside the recessed connector housing.
- Remove the tires/wheels from the vehicle and gently rinse the mud and dirt off with a garden hose. Avoid rinsing the bearings and transmission.

**NOTICE:** Never use a pressure washer to clean your vehicle.

- Use an air compressor or a can of compressed air to dry the vehicle and help remove any water that may have gotten into small crevices or corners.
- Spray the bearings, drive train, fasteners and other metal parts with a water-displacing light oil. Do not spray the motor.
- Let the vehicle air dry before you store it. Water (and oil) may continue to drip for a few hours.
- Increase the frequency of disassembly, inspection and lubrication of the following:
  - Front and rear axle hub assembly bearings.
  - All transmission cases, gears and differentials.
  - Motor—clean with an aerosol motor cleaner and re-oil the bushings with lightweight motor oil.

## QUICK START

Please read the entire manual to gain a full understanding of the Baja Rey vehicle, fine-tuning the setup and performing maintenance.

1. Read the safety precautions found in this manual.
2. Charge a battery for the vehicle.
3. Install the AA batteries in the transmitter. Only use alkaline or rechargeable batteries.
4. Install the fully charged battery in the vehicle.
5. Power ON the transmitter and then the vehicle. Wait 5 seconds for the ESC to initialize. Always power the transmitter ON before the vehicle and power it OFF after the vehicle has been powered OFF.
6. Check the steering and throttle control directions. Verify that the servos are moving in the correct direction.
7. Drive your vehicle.
8. Perform any necessary maintenance.

## BATTERY AND CHARGER RECOMMENDATIONS

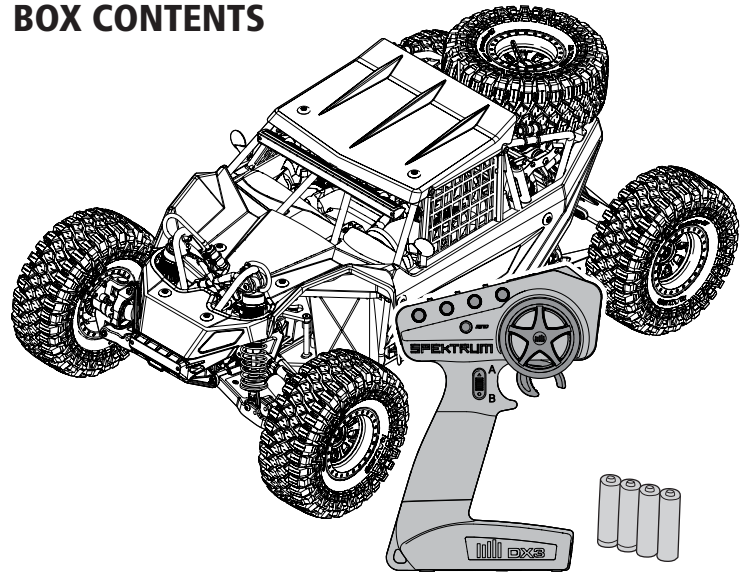
Choose batteries designed to work with the Spektrum™ Firma™ 160A Brushless Smart ESC. We recommend Spektrum Smart LiPo Batteries. **4S recommendation:** the Spektrum 7.4v 5000mAh 2S 100C Smart G2 Hardcase LiPo Battery (SPMX52S100H5) x2; **6S recommendation:** the Spektrum 11.1v 5000mAh 3S 100C Smart G2 LiPo Battery (SPMX53S100H5) x2; **8S recommendation:** the Spektrum 14.4v 5000mAh 4S 100C Smart G2 LiPo Battery (SPMX54S100H5) x2.

Choose a charger designed to charge Li-Po batteries. We recommend the dual port Spektrum S2200 G2 AC 2x200w Smart Charger (SPMXC2010). Refer to your battery and charger manuals for usage, safety, and charging information.

## TABLE OF CONTENTS

SAFETY PRECAUTIONS AND WARNINGS .....	2
WATER-RESISTANT VEHICLE WITH WATERPROOF ELECTRONICS .....	2
QUICK START .....	3
BATTERY AND CHARGER RECOMMENDATIONS .....	3
BOX CONTENTS .....	3
TRANSMITTER FUNCTIONS .....	4
TRANSMITTER BATTERY INSTALLATION .....	4
SR6200A AVC TECHNOLOGY TELEMETRY RECEIVER .....	4
ACTIVE VEHICLE CONTROL™ (AVC®) .....	4
AVC SENSITIVITY .....	4
AUX CHANNELS .....	4
BINDING/CALIBRATING THE RECEIVER .....	5
DISABLING AVC TECHNOLOGY STABILITY ASSIST .....	5
FAILSAFE .....	5
INSTALLING THE BATTERY .....	5
DRIVING PRECAUTIONS .....	6
BEFORE RUNNING YOUR VEHICLE .....	6
POWERING ON THE VEHICLE .....	6
PERFORMING A CONTROL DIRECTION TEST .....	6
CHANGING THE TRAVEL ADJUST SETTINGS .....	6
RUN TIME .....	7
TO IMPROVE RUN TIMES .....	7
POWERING OFF THE VEHICLE .....	7
SPEKTRUM FIRMA 750KV BRUSHLESS MOTOR .....	7
PRECAUTIONS .....	7
GEARING .....	7
CHANGING THE PINION GEAR/GEAR RATIO .....	7
SETTING THE GEAR MESH .....	7
ESC FUNCTIONS .....	8
SPECIFICATIONS .....	8
ESC LED STATUS .....	8
AUDIBLE WARNING TONES .....	8
ESC CALIBRATION PROCEDURE .....	8
ESC PROGRAMMING PROCEDURE .....	8
DESCRIPTIONS .....	8
TROUBLESHOOTING GUIDE .....	9
LIMITED WARRANTY .....	9
WARRANTY AND SERVICE CONTACT INFORMATION .....	10
FCC INFORMATION .....	10
IC INFORMATION .....	10
COMPLIANCE INFORMATION FOR THE EUROPEAN UNION .....	10
REPLACEMENT PARTS .....	38–39
OPTIONAL PARTS .....	40
EXPLODED VIEWS .....	41–47

## BOX CONTENTS



- Losi® Super Rock Rey® RTR with AVC® Technology: 1/6-Scale 4WD Rock Racer (LOS05016V2)
- Spektrum™ DX3™ 2.4GHz Transmitter (SPMR2340)
- Spektrum™ SR6200A 6 Ch AVC/Telemetry DSMR® Surface Receiver (SPMSR6200A)
- Spektrum™ S905 Large Scale 40KG Waterproof Metal Gear Surface Servo, 15T (SPMS905)
- Spektrum™ Firma™ 160 Amp 8s Brushless Smart ESC (SPMXSE1160)
- Spektrum Firma 5687 750kv 4-pole Brushless Motor (SPMXSM2400)
- 4 AA batteries (for transmitter)
- Vehicle battery and charger sold separately

## REGISTER YOUR LOSI PRODUCT ONLINE

Register your vehicle now and be the first to find out about the latest option parts, product updates and more. Click on the Support tab at [www.losi.com](http://www.losi.com) and follow the product registration link to stay connected.

## TRANSMITTER FUNCTIONS

### A/B. Channel 3 Button

### C. Throttle/Brake

### D. Steering Wheel

### E. Steering Rate

Adjusts the end point of the steering.

### F. Brake Rate

Adjusts the braking end point.

### G. Steering Trim

Adjusts the steering center point. Normally, the steering trim is adjusted until the vehicle tracks straight.

### H. Throttle Trim

Adjusts the throttle neutral point.

### I. SMART Battery Level Indicator

### J. Servo Reversing

To reverse the Throttle (TH) or Steering (ST) channel, switch the position of the correlating switch—"N" is for normal, "R" is for reverse.

### K. Throttle Limit

Limits throttle output to 50/75/100%

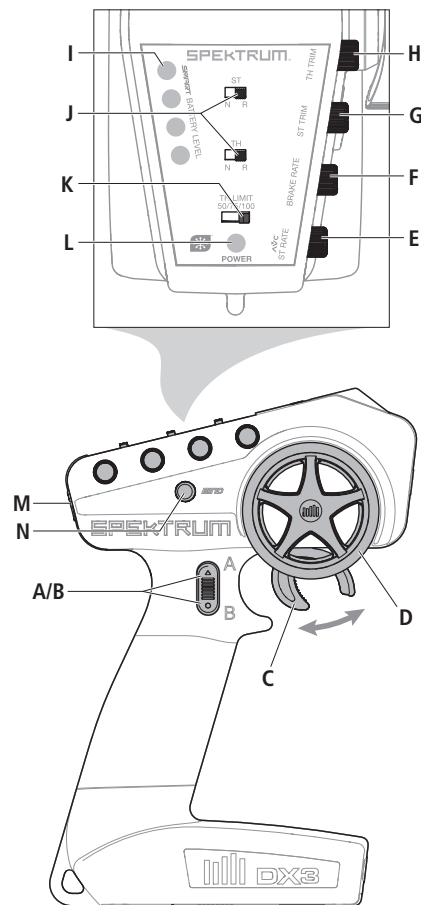
Select 50% or 75% for less experienced drivers or when you are driving the vehicle in a small area.

### L. Power LED

- **Solid red lights:** Indicates radio connectivity and adequate battery power.
- **Flashing red lights:** Indicates the battery voltage is critically low. Replace batteries.

### M. Power Button

### N. Bind Button



## TRANSMITTER BATTERY INSTALLATION

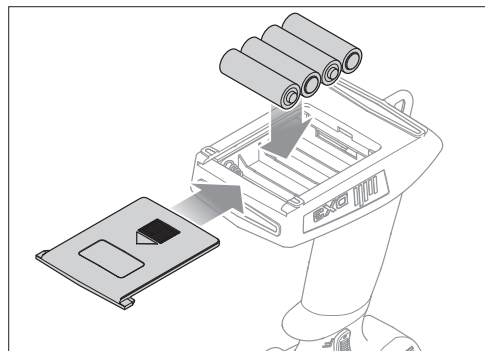
This transmitter requires 4 AA batteries.

1. Remove the battery cover from the transmitter.
2. Install the batteries as shown.
3. Install the battery cover.

**CAUTION:** Never remove the transmitter batteries while the model is powered ON. Loss of model control, damage, or injury may occur.

**CAUTION:** If using rechargeable batteries, charge only rechargeable batteries. Charging non-rechargeable batteries may cause the batteries to burst, resulting in injury to persons and/or damage to property.

**CAUTION:** Risk of explosion if battery is replaced by an incorrect type. Dispose of used batteries according to national regulations.



## SR6200A AVC TECHNOLOGY TELEMETRY RECEIVER

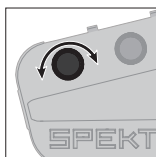
### ACTIVE VEHICLE CONTROL™ (AVC®)

The Spektrum receiver features Active Vehicle Control™ (AVC®) technology that responds similar to traction control in full-scale vehicles. In addition to traction control, AVC technology also increases steering stability during high speed driving or while driving over rough terrain. As you increase the AVC sensitivity, the system increases steering stability and traction control, similar to reducing the amount of steering rate in a computer transmitter. Reducing the sensitivity value increases the amount of steering control from the transmitter. The receiver also enables you to quickly turn AVC on or off if you participate in organized racing.

**IMPORTANT:** You must use digital servos with the AVC receiver. Do not use analog servos as they will reduce the performance of the system and may cause overheating.

### AVC® SENSITIVITY

The ST RATE dial adjusts the sensitivity, or stability, value in the receiver. If you increase the sensitivity, the AVC® system becomes more sensitive to the vehicle drifting left or right. You would use maximum sensitivity during high speed driving or drag racing, when you want the vehicle to stay in a straight line. As the sensitivity value increases, the amount of steering travel decreases.



Turn the AVC/ST RATE knob counter-clockwise to reduce the sensitivity.

Turn the AVC/ST RATE knob clockwise to increase the sensitivity

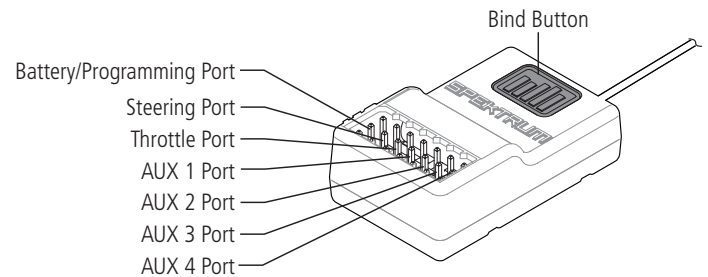
**IMPORTANT:** The ST RATE knob will only adjust the sensitivity when the transmitter is bound to a DSMR® AVC® receiver. When the transmitter is bound to a DSM2®/DSMR non AVC receiver, the ST RATE knob controls the steering dual rate.

## AUX CHANNELS

The Aux channels can operate as additional servo channels, or as a power supply for a personal transponder.

If AVC is active, only 4 channels; Steering, Throttle, AUX3 and AUX4 are operational. The remaining Aux channels can be used to power a personal transponder or lights.

If AVC is disabled (see **DISABLING AVC TECHNOLOGY STABILITY ASSIST FUNCTION**), all 6 channels including the Aux channels can operate as servo channels.



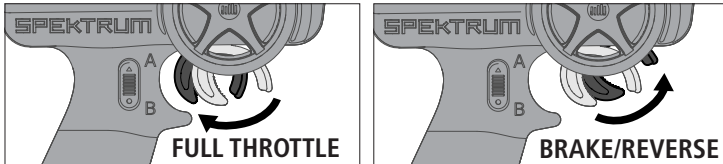
## BINDING AND CALIBRATING THE RECEIVER

Binding is the process of linking the SR6200A receiver to your Spektrum transmitter. The AVC features on the receiver can be enabled or disabled during the binding process.

**IMPORTANT:** You must calibrate the SR6200A receiver each time it is placed in bind mode, regardless of AVC being enabled or disabled.

Upon initial setup after the first bind, the model must be configured for servo direction, trim and travel. Then the receiver must be rebound and calibrated to those settings for proper operation. Center the steering trim and throttle trim on the transmitter before beginning.

1. Press and hold the bind button on the receiver.
2. Power on the receiver. The orange LED flashes, indicating the receiver is in bind mode. Release the bind button after the orange LED illuminates.
3. Put your transmitter in bind mode. The bind process is complete when the orange LED on the receiver remains lit. The receiver is now bound to the transmitter but must be calibrated before it will operate.
4. Pull the transmitter trigger to full throttle, pause, then return the trigger to center.



5. Push the transmitter trigger to full brake, pause, then return the trigger to center.
6. Turn the transmitter steering wheel to full right, pause, then return the wheel to center.
7. Turn the transmitter steering wheel to full left, pause, then return the steering wheel to center. The orange LED flashes to confirm the settings have been accepted.
8. Turn off the vehicle to complete the binding and calibration process.

**CAUTION:** When the bind process is complete, the throttle and steering channels are active. Keep hands and loose objects away from all spinning parts on the vehicle.

**IMPORTANT:** You must rebind the transmitter and receiver if you:

- Change the servo reversing after binding
- Change the travel after binding
- Change the receiver mounting orientation

### DISABLING AVC® TECHNOLOGY STABILITY ASSIST

If you participate in organized racing, you might need to turn off AVC technology. To turn off AVC technology:

1. Connect power to the receiver and quickly press and release the bind button three times (within 1.5 seconds).
2. Press and hold the bind button and to put the receiver in bind mode. Release the button when the LED starts to flash rapidly, indicating it is in bind mode.

When the AVC system has been disabled, the LED on the receiver will show three flashes upon power up, and then remain lit. The receiver is bound and operating normally when the LED remains illuminated.

**TIP:** If the AVC feature in the receiver is active and the AVC menu in the transmitter is inhibited, AVC functions will default to the AUX 1 and AUX 2 operation, and in this scenario, AVC will not work correctly.

### FAILSAFE

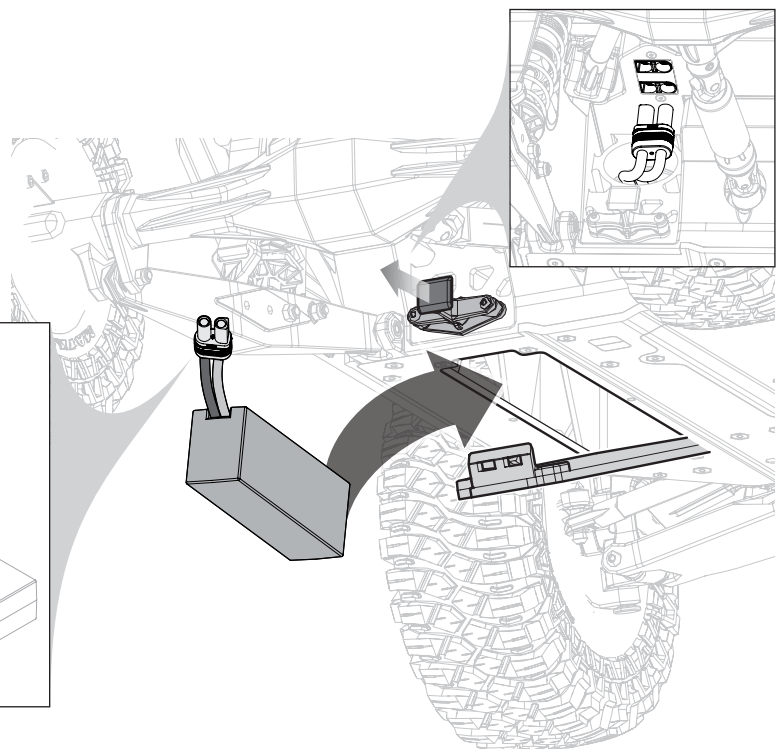
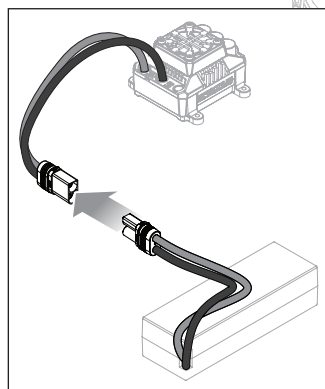
In the unlikely event that the radio link is lost during use, the receiver will drive the throttle channel to the neutral position. If the receiver is powered on prior to turning on the transmitter, the receiver will enter the failsafe mode, driving the throttle channel to the neutral position. When the transmitter is turned on, normal control is resumed.

**IMPORTANT:** Failsafe activates only in the event that signal is lost from the transmitter. Failsafe will NOT activate in the event that receiver battery power decreases below the recommended minimums or power to the receiver is lost.

## INSTALLING THE BATTERIES

1. Ensure the ESC is powered OFF.
2. Pull the battery door release to release the battery cover.
3. Remove the battery cover.
4. Install fully charged batteries into the vehicle.
 

**NOTICE:** Run the battery plugs out through the plug hole in the battery compartment.
5. Connect the batteries to the ESC.
6. Re-install the battery cover, snapping it into place. Verify the battery door release is fully seated.
7. Power ON the transmitter, then the vehicle.



## DRIVING PRECAUTIONS

- Maintain sight of the vehicle at all times.
- Routinely inspect the vehicle for loose wheel hardware.
- Routinely inspect the steering assembly for any loose hardware. Driving the vehicle off-road can cause fasteners to loosen over time.
- Do not drive the vehicle in tall grass. Doing so can damage the vehicle or electronics.
- Stop driving the vehicle when you notice a lack of power. Driving the vehicle when the battery is discharged can cause the receiver to power off. If the receiver loses power, you will lose control of the vehicle. Damage due to an over-discharged Li-Po battery is not covered under warranty.

**CAUTION:** Do not discharge a Li-Po battery below 3V per cell. Batteries discharged to a voltage lower than the lowest approved voltage may become damaged, resulting in loss of performance and potential fire when batteries are charged.

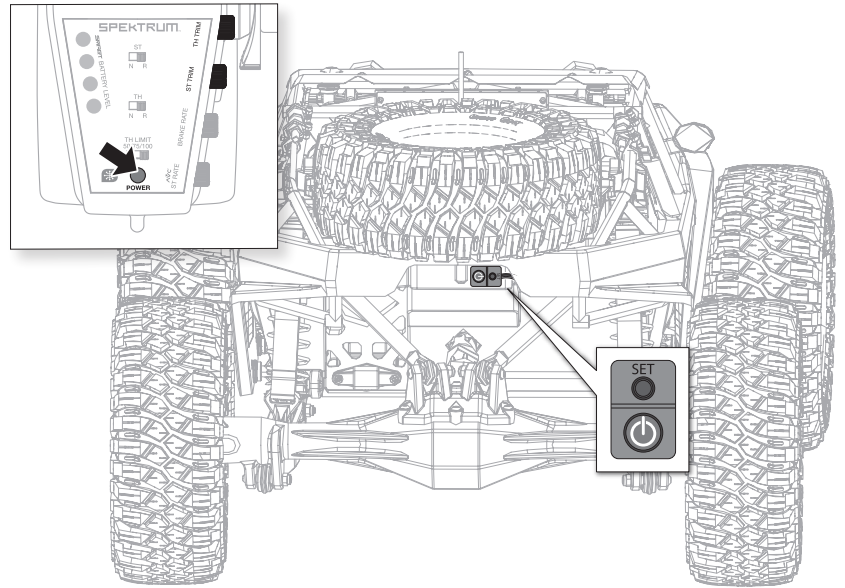
- Do not apply forward or reverse throttle if the vehicle is stuck. Applying throttle in this instance can damage the motor or ESC.
- After driving the vehicle, allow the electronics to cool before driving the vehicle again.

**IMPORTANT:** Keep wires away from all moving parts.

## POWERING ON THE VEHICLE

1. Center the ST TRIM and TH TRIM dials on the transmitter.
2. Power on the transmitter.
3. Connect the fully charged battery packs to the ESC.
4. Power on the ESC.

**IMPORTANT:** The vehicle MUST remain on a flat, level surface and motionless for at least 5 seconds.



## PERFORMING A CONTROL DIRECTION TEST

Perform a control test with the vehicle wheels off the ground. If the wheels rotate after the vehicle is powered ON, adjust the TH Trim knob until they stop. To make the wheels move forward, pull the trigger. To reverse them, wait for the wheels to stop, then push the trigger. When moving forward, the wheels should maintain a straight line without any steering wheel input. If not, adjust the ST Trim knob, so the wheels maintain a straight line without having to turn the steering wheel.

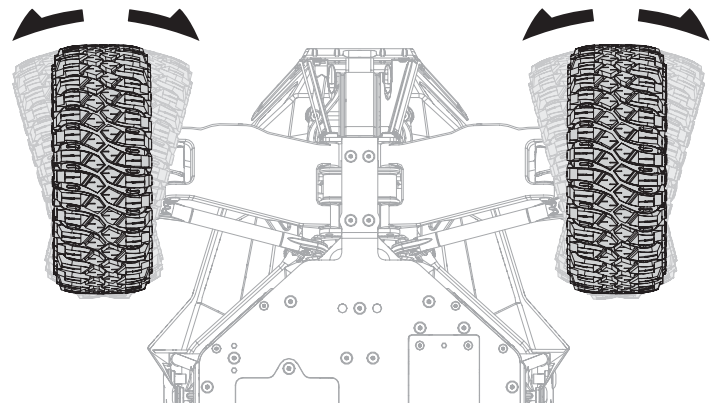
## CHANGING THE TRAVEL ADJUST SETTINGS

1. Hold the trigger in the full brake position and turn the steering wheel to Full Right while powering on the transmitter. The LED flashes rapidly, indicating the programming mode is active.
2. Throttle End Point: Continue holding full throttle. Turn the TH TRIM knob to adjust the full throttle end point.
3. Brake End Point: Hold the trigger in the full brake position. Turn the TH TRIM knob to adjust the full brake end point. Return the trigger to the center position.
4. Left Steering End Point: Hold the steering wheel in the full left position. Turn the ST TRIM knob to adjust the left end point.
5. Right Steering End Point: Hold the steering wheel in the full right position. Turn the ST TRIM knob to adjust the right end point. Return the steering wheel to the center position.
6. Power off the transmitter to save the travel adjust settings.  
The minimum Travel is 75%, and the Maximum travel is 150%.

**IMPORTANT:** If the travel is changed on the DX3, you must rebind and calibrate the receiver.

## BEFORE RUNNING YOUR VEHICLE

1. Check for free suspension movement. All suspension arms and steering components should move freely. Any binds will cause the vehicle to handle poorly.
2. Charge a battery pack. Always charge the battery pack as per the battery and/or charger manufacturers' instructions.
3. Set the transmitter steering trim. Follow the instructions to set the steering trim/subtrim so that the vehicle drives straight with no input to the steering.
4. Perform a Control Direction Test.



## RUN TIME

The largest factor in run time is the capacity of the battery pack. A larger mAh rating increases the amount of run time experienced.

The condition of a battery pack is also an important factor in both run time and speed. The battery connectors may become hot during driving. Batteries will lose performance and capacity over time.

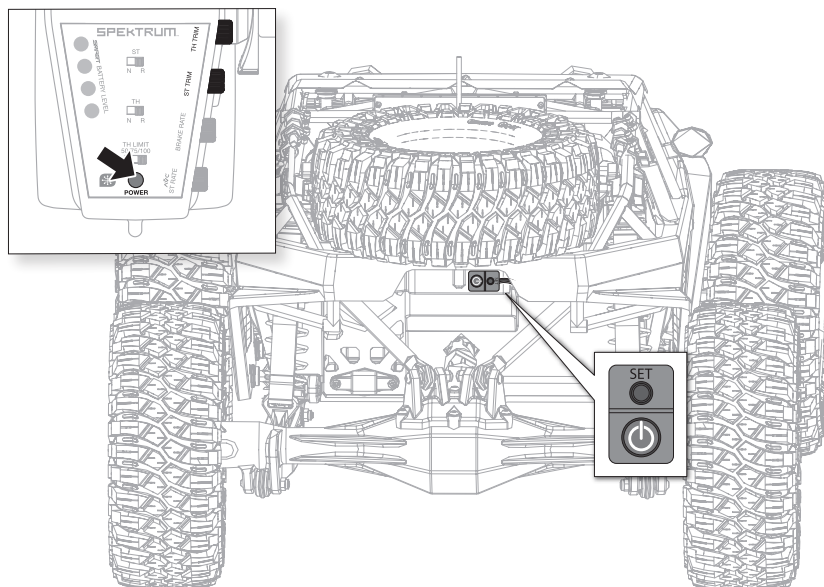
Driving the vehicle from a stop to full speed repeatedly will damage the batteries and electronics over time. Sudden acceleration will also lead to shorter run times.

## TO IMPROVE RUN TIMES

- Keep your vehicle clean and well maintained.
- Allow more airflow to the ESC and motor.
- Change the gearing to a lower ratio. A lower ratio decreases the operating temperature of the electronics. Use a smaller pinion gear or larger spur gear to lower the gear ratio.
- Use a battery pack with a higher mAh rating.
- Use the optimum charger to charge battery packs (Visit your local hobby dealer for more information).

## POWERING OFF THE VEHICLE

1. Power off the ESC.
2. Power off the transmitter.
3. Remove and charge the batteries.



## SPEKTRUM FIRMA 750KV BRUSHLESS MOTOR

### PRECAUTIONS

- Never touch moving parts.
- Never disassemble while the batteries are installed.
- Always let parts cool before touching.

### GEARING

Your vehicle has been equipped with the optimal gearing for the stock platform. It offers an ideal balance between speed, power and efficiency. Should you decide to customize your vehicle with optional batteries or motors, it may be necessary for you to change the pinion or spur gear.

Installing a pinion gear with fewer teeth or a spur gear with more teeth will provide greater torque but will reduce top speed. Likewise, a pinion gear with more teeth or a spur gear with fewer teeth will reduce torque and increase top speed. Care should be taken when installing larger pinion gears as this can "overgear" the vehicle, resulting in overheating of the motor and ESC. When testing different gearing options, pay close attention to the temperature of the motor and speed control to ensure you are operating within the temperature range of the components. The motor or ESC should never be so hot that it cannot be touched. If temperatures are too hot, a different gearing combination with a lower pinion gear and/or higher spur gear is suggested.

### CHANGING THE PINION GEAR/GEAR RATIO

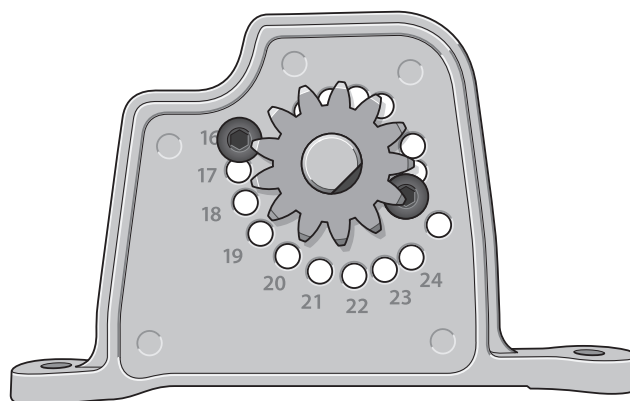
The Super Rock Rey V2 uses a motor mount with pre-set 16T gearing.

1. Remove the lower motor mount chassis plate, the motor, and motor mount.
2. Loosen the set screw and remove the installed pinion gear.
3. Install the motor screws corresponding to the number of teeth on the pinion gear.
4. Place the new pinion gear on the end of the motor shaft, so the setscrew is located over the flat of the shaft.
5. Position the pinion gear so that the teeth line up with the spur gear and secure the pinion gear by tightening the set screw.
6. Check the gear mesh to ensure that everything spins properly.

### SETTING THE GEAR MESH

The motor gearing is set on the motor mount and uses corresponding holes that match the number of teeth on the pinion gear. The gear mesh has already been set at the factory. Setting it is only necessary when changing motors or gears.

Proper gear mesh (how gear teeth meet) is important to the performance of the vehicle. When the gear mesh is too loose, the pinion gear can damage the spur gear. If the mesh is too tight, speed could be limited and the motor and ESC will overheat.



**IMPORTANT:** The included 16T pinion gear is suitable for use with 6S or 8S Li-Po batteries.

**NOTICE:** For extreme load surfaces (e.g., sand and tall grass), gear down 1–2 teeth on the pinion gear to minimize the chance of motor and ESC damage.

# ESC FUNCTIONS

## SPECIFICATIONS

Type	Sensorless
Constant/Peak	160A/1050A
Resistance	0.00020hm
Function	Forward with Brake, Forward/Reverse with Brake
Operation	Proportional forward, proportional reverse with braking
Input Voltage	3–8s LiPo
BEC Output	6V/8.4V, 6A
Overload Protection	Motor Lock-up protection, Low-voltage cutoff protection, Thermal protection, Overload protection and fail safe (throttle signal loss protection)
Dimensions (LxWxH)	70mm x 65mm x 45.5mm
Weight	288g

## ESC LED STATUS

- No ESC LEDs will glow when there is no throttle input from the transmitter.
- The red ESC LED glows when there is any throttle input from the transmitter.

## AUDIBLE WARNING TONES

- Input Voltage:** The ESC checks the input voltage when it is powered ON. If a voltage problem is detected, the ESC continuously sounds 2 beeps with a 1 second pause (xx-xx-xx). Power OFF the ESC and ensure the connections are secure and that the battery power is not too low for safe operation.
- Radio Connection:** The ESC checks radio signal input when it is powered ON. If a problem is detected, the ESC continuously sounds 1 beep with a 2 second pause (x--x--x). Power OFF the ESC and ensure the radio system is operating correctly.

## ESC CALIBRATION PROCEDURE

Ensure proper ESC function by calibrating the ESC to your transmitter inputs.

- Power OFF the ESC.
- Ensure your transmitter is powered ON, the throttle is not reversed, the throttle trim is neutral and the throttle travel range is at 100%. Disable any special functions such as ABS, etc.
- Press the SET button while powering ON the ESC. Release the button as soon as the red LED starts to flash.
- Calibrate the throttle points by pressing the SET button once after each step.
  - Neutral (1 flash)—leave the throttle at rest, untouched
  - Full throttle (2 flashes)—pull the throttle fully back
  - Full brake/reverse (3 flashes)—push the throttle fully forward
- The motor will run 3 seconds after the last step is completed.

**Tip:** If the motor turns in the wrong direction, reverse the connection of any 2 outside motor wires. The center wire must remain in the center and cannot be moved to another motor tab.



## ESC PROGRAMMING PROCEDURE

- Connect a fully charged battery to the ESC.
- Power ON the ESC using the ESC switch.
- Hold the SET button for 1 second until the GREEN LED blinks, then release the SET button to enter programming mode.
- Press and release the SET button as needed to get to the desired menu option (the GREEN LED will blink corresponding to the menu item number). Programming menu items 1 through 6 are accessible using the SET button on the ESC.
- When at the desired menu item, hold the SET button for 3 seconds until the RED LED blinks.
- Press the SET button to move among the settings based on how many times the RED LED blinks (Refer to the table for more information).
- Save the setting by holding the SET button for 3 seconds.
- Power OFF the ESC switch and repeat the instructions above to change other settings.

PROGRAMMABLE ITEMS	PROGRAMMABLE VALUE								
	1	2	3	4	5	6	7	8	9
1 Running Mode	Forward with Brake	Forward/ Reverse with Brake							
2 Li-Po Cells	Auto Calc.	3s	4s	6s	8s				
3 Low Voltage Cutoff	Auto (Low)	Auto (Intermediate)	Auto (High)						
4 BEC Voltage	6.0V	8.4V							
5 Max Brake Force	25%	37.5%	50%	62.5%	75%	87.5%	100%	Disabled	
6 Max Reverse Force	25%	50%							
7 Start Mode/Punch	Level 1	Level 2	Level 3	Level 4	Level 5				
8 Timing	0°	3.75°	7.5°	11.25°	15°				

The black-shaded setting is the factory default.

## DESCRIPTIONS

### 1. Running Mode

- Forward Only with Brake**  
Intended for competition use, this mode allows only forward and brake controls.
- Forward/Reverse with Brake**  
This mode is the basic all-around mode, allowing forward, reverse and brake controls. To engage reverse while moving forward, apply the brake until the vehicle has come to a complete stop, release brake, then apply the brake again. While braking or in reverse, engaging the throttle will result in the vehicle immediately accelerating forward.

### 2. Li-Po Cells

The default setting is **Auto Calc**, which will automatically select the detected number of cells. Select value 2–5 to manually select a cell count from 3–8 cells.

### 3. Low Voltage Cutoff

This function helps to prevent battery over-discharge. The ESC continuously monitors the battery's voltage. If the voltage falls below the voltage threshold for 2 seconds, the output power shuts off and the red LED flashes twice repeatedly.

The cutoff threshold calculation is based on individual Li-Po cell voltage. For Ni-MH batteries, if the voltage battery pack is higher than 9.0V, it will be treated as a 3-cell Li-Po battery pack; if it is lower than 9.0V, it will be treated as a 2-cell Li-Po battery pack. Example: for a 8.0V Ni-MH battery pack used with a 2.6V/cell threshold, it will be treated as a 2-cell Li-Po battery pack and the low-voltage cut-off threshold will be 5.2V (2.6x2=5.2).

### 4. Bec Voltage

Select either 6 or 8.4V to run the receiver and servos.

### 5. Max Brake Force

Adjusts the maximum braking force. A higher value provides stronger braking, but can also cause the wheels to lock, resulting in loss of control of the car.

### 6. Max Reverse Force

This parameter adjusts the maximum power when travelling in reverse.

### 7. Start Mode (Punch)

Sets the initial throttle punch when the car accelerates. Level 1 gives a very soft initial acceleration and level 5 gives a stronger initial acceleration.

### 8. Timing

Allows for timing value selection according to your motor. Generally, higher timing value brings out higher power output, but the efficiency of the system will be slightly lower with possible increases in motor and ESC running temperatures.



## TROUBLESHOOTING GUIDE

PROBLEM	POSSIBLE CAUSE	SOLUTION
Vehicle does not operate	Battery not charged or plugged in	Charge battery/plug in
	ESC switch not "On"	Turn on ESC switch
	Transmitter not "On" or low battery	Turn on/replace batteries
Motor runs but wheels do not rotate	Pinion not meshing with spur gear	Adjust pinion/spur mesh
	Pinion spinning on motor shaft	Tighten pinion gear setscrew on motor shaft flat spot
	Transmission gears stripped	Replace transmission gears
	Drive pin broken	Check and replace drive pin
Steering does not work	Servo plug not in receiver properly	Make sure the steering servo plug is connected to the receiver steering channel, noting proper polarity
	Servo gears or motor damaged	Replace or repair servo
Will not turn one direction	Servo gears damaged	Replace or repair servo
Motor does not run	Motor wires not connected properly	Check bullet connectors for proper fit
	Motor wire broken	Repair or replace as needed
	ESC damaged	Contact Horizon Hobby Product Support
ESC gets hot	Motor over-gear	Use smaller pinion or larger spur gear
	Driveline bound up	Check wheels and transmission for binding
Poor run time and/or sluggish acceleration	Battery pack not fully charged	Recharge battery
	Charger not allowing full charge	Try another charger
	Driveline bound up	Check wheels, transmission for binding
Poor range and/or glitching	Transmitter batteries low	Check and replace
	Vehicle battery low	Recharge battery
	Loose plugs or wires	Check all wire connections and plugs

## LIMITED WARRANTY

### What this Warranty Covers

Horizon Hobby, LLC, (Horizon) warrants to the original purchaser that the product purchased (the "Product") will be free from defects in materials and workmanship at the date of purchase.

### What is Not Covered

This warranty is not transferable and does not cover (i) cosmetic damage, (ii) damage due to acts of God, accident, misuse, abuse, negligence, commercial use, or due to improper use, installation, operation or maintenance, (iii) modification of or to any part of the Product, (iv) attempted service by anyone other than a Horizon Hobby authorized service center, (v) Product not purchased from an authorized Horizon dealer, or (vi) Product not compliant with applicable technical regulations or (vii) use that violates any applicable laws, rules, or regulations. OTHER THAN THE EXPRESS WARRANTY ABOVE, HORIZON MAKES NO OTHER WARRANTY OR REPRESENTATION, AND HEREBY DISCLAIMS ANY AND ALL IMPLIED WARRANTIES, INCLUDING, WITHOUT LIMITATION, THE IMPLIED WARRANTIES OF NON-INFRINGEMENT, MERCHANTABILITY AND FITNESS FOR A PARTICULAR PURPOSE. THE PURCHASER ACKNOWLEDGES THAT THEY ALONE HAVE DETERMINED THAT THE PRODUCT WILL SUITABLY MEET THE REQUIREMENTS OF THE PURCHASER'S INTENDED USE.

### Purchaser's Remedy

Horizon's sole obligation and purchaser's sole and exclusive remedy shall be that Horizon will, at its option, either (i) service, or (ii) replace, any Product determined by Horizon to be defective. Horizon reserves the right to inspect any and all Product(s) involved in a warranty claim. Service or replacement decisions are at the sole discretion of Horizon. Proof of purchase is required for all warranty claims. SERVICE OR REPLACEMENT AS PROVIDED UNDER THIS WARRANTY IS THE PURCHASER'S SOLE AND EXCLUSIVE REMEDY.

### Limitation of Liability

HORIZON SHALL NOT BE LIABLE FOR SPECIAL, INDIRECT, INCIDENTAL OR CONSEQUENTIAL DAMAGES, LOSS OF PROFITS OR PRODUCTION OR COMMERCIAL LOSS IN ANY WAY, REGARDLESS OF WHETHER SUCH CLAIM IS BASED IN CONTRACT, WARRANTY, TORT, NEGLIGENCE, STRICT LIABILITY OR ANY OTHER THEORY OF LIABILITY, EVEN IF HORIZON HAS BEEN ADVISED OF THE POSSIBILITY OF SUCH DAMAGES. Further, in no event shall the liability of Horizon exceed the individual price of the Product on which liability is asserted. As Horizon has no control over use, setup, final assembly, modification or misuse, no liability shall be assumed nor accepted for any resulting damage or injury. By the act of use, setup or assembly, the user accepts all resulting liability. If you as the purchaser or user are not prepared to accept the liability associated with the use of the Product, purchaser is advised to return the Product immediately in new and unused condition to the place of purchase.

### Law

These terms are governed by Illinois law (without regard to conflict of law principals). This warranty gives you specific legal rights, and you may also have other rights which vary from state to state. Horizon reserves the right to change or modify this warranty at any time without notice.

### WARRANTY SERVICES

#### Questions, Assistance, and Services

Your local hobby store and/or place of purchase cannot provide warranty support or service. Once assembly, setup or use of the Product has been started, you must contact your local distributor or Horizon directly. This will enable Horizon to better answer your questions and service you in the event that you may need any assistance. For questions or assistance, please

visit our website at [www.horizonhobby.com](http://www.horizonhobby.com), submit a Product Support Inquiry, or call the toll free telephone number referenced in the Warranty and Service Contact Information section to speak with a Product Support representative.

### Inspection or Services

If this Product needs to be inspected or serviced and is compliant in the country you live and use the Product in, please use the Horizon Online Service Request submission process found on our website or call Horizon to obtain a Return Merchandise Authorization (RMA) number. Pack the Product securely using a shipping carton. Please note that original boxes may be included, but are not designed to withstand the rigors of shipping without additional protection. Ship via a carrier that provides tracking and insurance for lost or damaged parcels, as Horizon is not responsible for merchandise until it arrives and is accepted at our facility. An Online Service Request is available at [http://www.horizonhobby.com/content/\\_service-center\\_render-service-center](http://www.horizonhobby.com/content/_service-center_render-service-center). If you do not have internet access, please contact Horizon Product Support to obtain a RMA number along with instructions for submitting your product for service. When calling Horizon, you will be asked to provide your complete name, street address, email address and phone number where you can be reached during business hours. When sending product into Horizon, please include your RMA number, a list of the included items, and a brief summary of the problem. A copy of your original sales receipt must be included for warranty consideration. Be sure your name, address, and RMA number are clearly written on the outside of the shipping carton.

**NOTICE: Do not ship Li-Po batteries to Horizon. If you have any issue with a Li-Po battery, please contact the appropriate Horizon Product Support office.**

### Warranty Requirements

**For Warranty consideration, you must include your original sales receipt verifying the proof-of-purchase date.** Provided warranty conditions have been met, your Product will be serviced or replaced free of charge. Service or replacement decisions are at the sole discretion of Horizon.

### Non-Warranty Service

**Should your service not be covered by warranty, service will be completed and payment will be required without notification or estimate of the expense unless the expense exceeds 50% of the retail purchase cost.** By submitting the item for service you are agreeing to payment of the service without notification. Service estimates are available upon request. You must include this request with your item submitted for service. Non-warranty service estimates will be billed a minimum of ½ hour of labor. In addition you will be billed for return freight. Horizon accepts money orders and cashier's checks, as well as Visa, MasterCard, American Express, and Discover cards. By submitting any item to Horizon for service, you are agreeing to Horizon's Terms and Conditions found on our website [http://www.horizonhobby.com/content/\\_service-center\\_render-service-center](http://www.horizonhobby.com/content/_service-center_render-service-center).

**ATTENTION: Horizon service is limited to Product compliant in the country of use and ownership. If received, a non-compliant Product will not be serviced. Further, the sender will be responsible for arranging return shipment of the un-serviced Product, through a carrier of the sender's choice and at the sender's expense. Horizon will hold non-compliant Product for a period of 60 days from notification, after which it will be discarded.**

## Warranty and Service Contact Information

Country of Purchase	Horizon Hobby	Contact Information	Address
United States of America	Horizon Service Center (Repairs and Repair Requests)	servicecenter.horizonhobby.com/RequestForm/	2904 Research Road Champaign, Illinois 61822 USA
	Horizon Product Support (Product Technical Assistance)	productsupport@horizonhobby.com 877-504-0233	
	Sales	websales@horizonhobby.com 800-338-4639	
EU	Horizon Technischer Service	service@horizonhobby.de	Hanskampring 9 D 22885 Barsbüttel, Germany
	Sales: Horizon Hobby GmbH	+49 (0) 4121 2655 100	

## FCC Information

**Contains FCC ID: BRWKATY1T**

**Contains FCC ID: BRWSPMSR6200A**

This equipment complies with FCC and IC radiation exposure limits set forth for an uncontrolled environment. This equipment should be installed and operated with minimum distance 20cm between the radiator and/or antenna and your body (excluding fingers, hands, wrists, ankles and feet). This transmitter must not be co-located or operating in conjunction with any other antenna or transmitter.

### Supplier's Declaration of Conformity

**Losi Super Rock Rey Rock Racer, RTR (LOS05016V2)**

**FCC** This device complies with part 15 of the FCC Rules. Operation is subject to the following two conditions: (1) This device may not cause harmful interference, and (2) this device must accept any interference received, including interference that may cause undesired operation.

**CAUTION:** Changes or modifications not expressly approved by the party responsible for compliance could void the user's authority to operate the equipment.

**NOTE:** This equipment has been tested and found to comply with the limits for a Class B digital device, pursuant to part 15 of the FCC Rules. These limits are designed to provide reasonable protection against harmful interference in a residential installation.

This equipment generates, uses and can radiate radio frequency energy and, if not installed and used in accordance with the instructions, may cause harmful interference to radio communications. However, there is no guarantee that interference will not occur in a particular installation. If this equipment does cause harmful interference to radio or television reception,

which can be determined by turning the equipment off and on, the user is encouraged to try to correct the interference by one or more of the following measures:

- Reorient or relocate the receiving antenna.
- Increase the separation between the equipment and receiver.
- Connect the equipment into an outlet on a circuit different from that to which the receiver is connected.
- Consult the dealer or an experienced radio/TV technician for help.

Horizon Hobby, LLC  
2904 Research Rd., Champaign, IL 61822  
Email: compliance@horizonhobby.com  
Web: HorizonHobby.com

## IC Information

**CAN ICES-3 (B)/NMB-3(B)**

**Contains IC: 6157A-KATY1T**

**6157A-SPMSR6200A**

This device contains license-exempt transmitter(s)/receiver(s) that comply with Innovation, Science, and Economic Development Canada's license-exempt RSS(s). Operation is subject to the following 2 conditions:

1. This device may not cause interference.
2. This device must accept any interference, including interference that may cause undesired operation of the device.

## Compliance Information for the European Union

**CE** **EU Compliance Statement:**  
**Losi Super Rock Rey Rock Racer, RTR (LOS05016V2)**

Hereby, Horizon Hobby, LLC declares that the device is in compliance with the following: EU RED 2014/53/EU; RoHS 2 Directive 2011/65/EU; RoHS 3 Directive - Amending 2011/65/EU Annex II 2015/863.

The full text of the EU declaration of conformity is available at the following internet address: <https://www.horizonhobby.com/content/support-render-compliance>.

**NOTE:** This product contains batteries that are covered under the 2006/66/EC European Directive, which cannot be disposed of with normal household waste. Please follow local regulations.

### Wireless Frequency Range and Wireless Output Power:

**Transmitter:**  
2402–2478MHz  
17.7 dBm  
**Receiver:**  
2404–2476MHz  
5.58dBm



### EU Manufacturer of Record:

Horizon Hobby, LLC  
2904 Research Road  
Champaign, IL 61822 USA

### EU Importer of Record:

Horizon Hobby, GmbH  
Hanskampring 9  
22885 Barsbüttel Germany

### WEEE NOTICE:



This appliance is labeled in accordance with European Directive 2012/19/EU concerning waste of electrical and electronic equipment (WEEE). This label indicates that this product should not be disposed of with household waste. It should be deposited at an appropriate facility to enable recovery and recycling.

## Replacement Parts // Teileliste // Liste des pièces de rechange // Elenco dei ricambi

Part #	English	Deutsch	Français	Italiano
LOS235001	Cap Head Screws, M2 x 6mm (10)	Inbusschrauben M2 x 6mm (10)	Vis d'assemblage creuses, M2 x 6mm (10)	Viti a testa cilindrica, M2 x 6mm (10)
LOS235007	Button Head Screw M3 x 12mm (10)	Rundkopfschraube, M3 x 12mm (10)	Vis à tête bombée, M3 x 12mm (10)	Vite a testa tonda M3 x 12mm (10)
LOS235009	Flat Head Screw M2.5 x 8mm (10)	Flachkopfschraube M2,5 x 8mm (10)	Vis à tête plate, M2,5 x 8mm (10)	Vite a testa piana M2,5 x 8mm (10)
LOS235012	Set Screw M4 x 4mm Cup Point (10)	Stellschraube, M4 x 4mm Ringschneide (10)	Vis de fixation, bout civette, M4 x 4mm (10)	Vite di fermo M4 x 4mm punta a tazza (10)
LOS235025	Button Head Screw M3 x 30mm (10)	Rundkopfschraube, M3 x 30mm (10)	Vis à tête bombée, M3 x 30mm (10)	Vite a testa tonda M3 x 30mm (10)
LOS236001	3.2mm x 7mm x .5mm Washer (10)	3,2mm x 7mm x 0,5mm Unterlegscheibe (10)	Rondelle 3,2mm x 7mm x 5mm (10)	Rondella 3,2mm x 7mm x 0,5mm (10)
LOS250022	Body Button Base and Top (22)	Body Button unten und oben (22)	Bouton corps haut et bas (22)	Base e parte superiore bottone carrozzeria (22)
LOS250035	Body Set, Clear	Karosseriesatz, farblos	Carrosserie, transparente	Set carrozzeria, trasparente
LOS250036	Body Set, Baja Designs	Karosseriesatz, Baja Designs	Carrosserie, Baja Designs	Set carrozzeria, Baja
LOS250037	Body Set, Raceline	Karosseriesatz, Raceline	Carrosserie, Raceline	Set carrozzeria, Raceline
LOS251059	Steering Servo Mount & Bellcrank Set	Lenkervo-Halterung & Umlenkhebelset	Support de servo de direction et ensemble levier	Supporto servocomandi sterzo e serie leve a gomito
LOS251060	Rear Chassis Brace/ESC Mount	Hintere Karosseriestrebe/ Geschwindigkeitsreglerhalterung	Renfort châssis arrière/support variateur ESC	Sostegno anteriore telaio/Supporto ESC
LOS251062	Center Chassis Brace & Stand Offs	Zentrale Karosseriestrebe & Standoffs	Renfort châssis central et douilles	Sostegno e supporti centrali telaio
LOS251063	LED Light Bar Front	LED-Lichtstange Front	Barre d'éclairage à DEL avant	Barra anteriore luci LED
LOS251064	LED Light Bar Rear	LED-Lichtstange Heck	Barre d'éclairage à DEL arrière	Barra posteriore luci LED
LOS251065	Steering Hardware Set	Hardwaresatz Lenkung	Ensemble de matériel de direction	Set bulloneria sterzo
LOS251066	Steering Servo Arm, 15T Spline	Servolenkarm, 15T Verzahnung	Bras du servo de direction, cannelure 15T	Braccio servocomandi sterzo, scanalatura 15 denti
LOS251068	Foam Seal & Spacer Set	Schaumdichtung & Distanzstückset	Lot mousse d'étanchéité et entretoises	Serie sigillanti in materiale espanso e spessori
LOS251077	Roll Cage Front & Roof	Überrollkäfig Front & Dach	Cage de retournement avant et toit	Scocca di protezione, anteriore e tetto
LOS251078	Cage Rear, Tower Support, Muud Guards	Käfig Heck, Stoßdämpferstütze, Schmutzfänger	Cage arrière, Support de tour, Garde-boues	Scocca posteriore, supporto torre, parafanghi
LOS251079	Front Bumper, Front Lens Cover	Frontstoßstange, Front-Objektivschutz	Pare-chocs avant, Couverture de lentille avant	Paraurti anteriore, coperchio lente anteriore
LOS251080	Battery Tray	Akkualterung	Support de batterie	Vano batteria
LOS251081	Battery Tray Hardware Set	Akkualterung Hardwaresatz	Ensemble de matériel de support de batterie	Set accessori vano batteria
LOS251082	Cage Accessory Set	Zubehörsatz Käfig	Ensemble d'accessoire de cage	Set accessori scocca
LOS251083	Chassis, Motor & Battery Cover Plates	Karosserie, Motor- & Akku-Abdeckplatten	Carrosserie, moteur et plaques de couverture de batterie	Piastre copertura telaio, motore e batteria
LOS251084	Steering Tie Rods (2)	Lenkung Zuganker (2)	Barres d'accouplement de direction (2)	Barre di accoppiamento sterzo (2)
LOS251085	Roll Cage Sides L & R	Überrollkäfigseiten L&R	Côtés L et R de la cage de retournement	Lati scocca di protezione, destro e sinistro
LOS252069	Differential Housing & Gasket	Differentialgetriebe-Gehäuse & Dichtung	Boîtier différentiel et joint	Alloggiamento e guarnizione differenziale
LOS252070	Differential Rebuild Kit	Differentialgetriebe-Umbau-Kit	Kit de reconstruction du différentiel	Kit riparazione differenziale
LOS252071	Axle Housing Set, Rear	Achsgehäuse-Set, Heck	Lot de carte d'essieu, arrière	Serie alloggiamento dell'assale, posteriore
LOS252072	Rear Driveshaft Set	Heck Antriebswelle-Set	Lot d'arbre d'entraînement arrière	Serie posteriore albero di trasmissione
LOS252073	Center Transmission Housing	Zentrales Getriebegehäuse	Boîtier de transmission centrale	Alloggiamento centrale trasmissione
LOS252074	Front Gear Box/Bulkhead	Front Getriebekasten/Spritzwand	Réducteur avant/Cloison	Scatola del cambio anteriore/Paratia
LOS252075	38T Ring & 12T Pinion Gear FR/RR	38T Ring & 12T Zahnradgetriebe FR/RR	Bague 38T et engrenage à pignons 12T AV/AR	Anello 38 denti e ingranaggio pignone 12 denti FR/RR
LOS252076	Outdrive Set FR/RR (2)	Antrieb-Set FR/RR (2)	Ensemble sortie AV/AR (2)	Serie gruppo di trasmissione FR/RR (2)
LOS252077	20mm Wheel Hexes and Pins, Black (4)	20mm Rad Sechskante und Bolzen, Schwarz (4)	Hexagones de roue et broches 20 mm, noir (4)	Dadi esagonali e perni ruota 20mm, neri (4)
LOS252078	Wheel Nut, Black (4)	Radmutter, Schwarz (4)	Écrou de roue, noir (4)	Dado ruota, nero (4)
LOS252080	Center Transmission Gear Set	Zentrales Übersetzungsgetriebe-Set	Lot de transmission centrale	Serie centrale ingranaggi trasmissione
LOS252081	Stub Axle, Rear (2)	Achswellenstumpf, Heck (2)	Porte-fusée, arrière (2)	Fusello di ruota, posteriore (2)
LOS252082	Dogbone, Rear Axle (2)	Dogbones, Hinterachse (2)	Cardans à boules goupillées, essieu arrière (2)	Cardano spinato (dogbone), assale posteriore (2)
LOS252083	Motor Mount	Motorhalterung	Support moteur	Supporto motore
LOS252084	Center Drive Shaft, Front	Zentrales Antriebswelle, Front	Arbre d'entraînement central, avant	Albero di trasmissione centrale, anteriore
LOS252085	Front Axle Set (2)	Vorderachsensatz (2)	Lot d'essieu avant (2)	Serie assali anteriori (2)
LOS252087	Center Differential Outdrive Set (2)	Zentrale Differentialantrieb-Set (2)	Lot de sortie de différentiel centrale (2)	Serie gruppo di trasmissione centrale (2)
LOS252108	Front Differential Outdrive Shaft (2)	Front-Differenzial-Flexwelle (2)	Arbre d'entraînement extérieur différentiel avant (2)	Albero trascinatore differenziale anteriore (2)
LOS252109	Rotor, Caliper Set	Rotor, Bremssattelsatz	Ensemble de rotor, étrier	Set pinza, rotore
LOS252110	Front Drive Shaft Slider	Front-Antriebswelle Schieber	Glisseur d'arbre d'entraînement avant	Cursore albero trascinatore anteriore
LOS253022	Shock Body & Collar Set, Front (2)	Stoßdämpfergehäuse & Hülsensatz, Front (2)	Ensemble de carrosserie d'amortisseur et bague, avant (2)	Set corpo ammortizzatore e collarino, anteriori (2)
LOS253023	Shock Cap Set (2)	Stoßdämpferkappensatz (2)	Ensemble de capuchons d'amortisseurs (2)	Set tappi ammortizzatore (2)
LOS253024	Shock Spring, Med, Silver	Stoßdämpfer, Med, Silber	Ressort d'amortisseur, moyen, argent	Molla ammortizzatore, media, argento
LOS253025	Shock Shaft, Front (2)	Kolbenstange, Front (2)	Bras d'amortisseur, avant (2)	Albero ammortizzatore, anteriore (2)
LOS254033	Shock Rebuild Kit (4)	Stoßdämpfer-Umbau-Kit (4)	Kit de reconstruction amortisseurs (4)	Kit riparazione ammortizzatore (4)
LOS254034	Shock & Rod Ends, Spring Cups (12)	Stoßdämpfer- und Gelenkköpfe, Federteller (12)	Amortisseur et embouts de bielle, cuvettes de ressort (12)	Ammortizzatore ed estremità aste, coppe a molla (12)
LOS254035	Shock Pistons	Stoßdämpferkolben	Pistons amortisseurs	Piston ammortizzatori
LOS254036	Trailing Arms (2)	Hinterachsträger (2)	Bras oscillants (2)	Bracci longitudinali (2)
LOS254040	Shock Tower, Upper/Lower Track Rod Mount	Stoßdämpferbrücke, obere/untere Spurstange-Halterung	Support d'amortisseurs, support tige de renfort élevé/bas	Torre ammortizzatore, supporto asta tracciato superiore/ inferiore
LOS254042	Shock Body & Collar Set, Rear (2)	Stoßdämpfergehäuse & Hülsensatz, Heck (2)	Corps antichoc et ensemble bagues, arrière (2)	Serie collare e corpo ammortizzatore, posteriore (2)
LOS254043	Front & Rear Sway Bar Set	Front & Heck Schwingen-Set	Lot de barre stabilisatrice avant et arrière	Serie barre stabilizzatrici anteriore e posteriore
LOS254045	Shock Shaft, Rear (2)	Kolbenstange, Heck (2)	Butées de suspension arrière (2)	Albero ammortizzatore, posteriore (2)
LOS254049	Upper Trailing Arm Links (2)	Oberer Flügelarmverbindung (2)	Liaisons bras oscillant supérieur (2)	Collegamenti bracci longitudinali superiori (2)
LOS254050	Shock Stand Off, Front (2)	Stoßdämpfer-Standoff, Front (2)	Butées de douilles, avant (2)	Distanziatore ammortizzatore, anteriore (2)
LOS254051	Pivot Ball Set	Schwenkugel-Set	Lot billes pivot	Serie sfere perno
LOS254053	Spindle Carrier Set (L/R)	Spindelträgersatz (L/R)	Ensemble de support d'axe (L/R)	Set portafusello (Sx/Dx)
LOS254054	Front Kingpins (4)	Front-Königszapfen (4)	Pivots avant (4)	Kingpin anteriori (4)
LOS254055	Front Spindle Set (L/R)	Front-Spindelsatz (L/R)	Ensemble d'axe avant (L/R)	Set fusello anteriore (Sx/Dx)

## Replacement Parts // Teileliste // Liste des pièces de rechange // Elenco dei ricambi

Part #	English	Deutsch	Français	Italiano
LOS254056	Front Upper Suspension Arm Mount	Front Oberer Querlenker Halterung	Support pour bras de suspension supérieur avant	Supporto braccetto sospensione anteriore superiore
LOS254057	Front Lower Suspension Arm (L/R)	Front Unterer Querlenker (L/R)	Bras de suspension inférieur avant (L/R)	Braccetto sospensione anteriore inferiore (Sx/Dx)
LOS254058	Front Hinge Pin & Brace Set	Front-Scharnierstift & Klammersatz	Ensemble de support et d'axe de charnière avant	Set braccetto e perno cardine anteriori
LOS254059	Limiting Straps, Rear	Begrenzungsbänder, Heck	Sangles de limites, arrière	Fasce limite, posteriori
LOS255009	Cap Head Screw, Stl, BO, M3 x 16mm (10)	Inbusschraube, Stl, BO, M3 x 16mm (10)	Vis d'assemblage creuse, stl, BO, M3 x 16mm (10)	Vite a testa cilindrica, acciaio, BO, M3 x 16mm (10)
LOS255011	Button Head Screw, Stl, BO, M4 x 30mm (10)	Rundkopfschraube, Stl, BO, M4 x 30mm (10)	Vis à tête bombée, stl, BO, M4 x 30mm (10)	Vite a testa tonda, acciaio, BO, M4 x 30mm (10)
LOS255012	Button Head Screw, Stl, BO, M4 x 35mm (10)	Rundkopfschraube, Stl, BO, M4 x 35mm (10)	Vis à tête bombée, stl, BO, M4 x 35mm (10)	Vite a testa tonda, acciaio, BO, M4 x 35mm (10)
LOS255013	Button Head Screw, Stl, BO, M4 x 65mm (10)	Rundkopfschraube, Stl, BO, M4 x 65mm (10)	Vis à tête bombée, stl, BO, M4 x 65mm (10)	Vite a testa tonda, acciaio, BO, M4 x 65mm (10)
LOS255014	Button Head Screw, Stl, BO, M4 x 14mm (10)	Rundkopfschraube, Stl, BO, M4 x 14mm (10)	Vis à tête bombée, stl, BO, M4 x 14mm (10)	Vite a testa tonda, acciaio, BO, M4 x 14mm (10)
LOS255016	Flat Head Screw, Stl, BO, M4 x 10mm (10)	Flachkopfschraube, Stl, BO, M4 x 10mm (10)	Vis à tête plate, stl, BO, M4 x 10mm (10)	Vite a testa piana, acciaio, BO, M4 x 10mm (10)
LOS255018	Flat Head Screw, Stl, BO, M4 x 25mm (10)	Flachkopfschraube, Stl, BO, M4 x 25mm (10)	Vis à tête plate, stl, BO, M4 x 25mm (10)	Vite a testa piana, acciaio, BO, M4 x 25mm (10)
LOS255019	Flat Head Screw, Stl, BO, M4 x 14mm (10)	Flachkopfschraube, Stl, BO, M4 x 14mm (10)	Vis à tête plate, stl, BO, M4 x 14mm (10)	Vite a testa piana, acciaio, BO, M4 x 14mm (10)
LOS255020	Flat Head Screw, Stl, BO, M4 x 18mm (10)	Flachkopfschraube, Stl, BO, M4 x 18mm (10)	Vis à tête plate, stl, BO, M4 x 18mm (10)	Vite a testa piana, acciaio, BO, M4 x 18mm (10)
LOS255021	Set Screw, Stl, BO, Flat Point, M4 x 6mm (10)	Stellschraube, Stl, BO, Flat Point, M4 x 6mm (10)	Vis de fixation, stl, BO, bout plat, M4 x 6mm (10)	Vite di fermo, acciaio, BO, punta piana, M4 x 6mm (10)
LOS255022	Set Screw, Stl, BO, Flat Point, M5 x 30mm (10)	Stellschraube, Stl, BO, Flat Point, M5 x 30mm (10)	Vis de fixation, stl, BO, bout plat, M5 x 30mm (10)	Vite di fermo, acciaio, BO, punta piana, M5 x 30mm (10)
LOS257006	10 x 19 x 5mm Ball Bearing (2)	10 x 19 x 5mm Kugellager (2)	Roulement à billes 10 x 19 x 5mm (2)	Cuscinetto a sfera 10 x 19 x 5mm (2)
LOS257007	4 x 8 x 3mm Ball Bearing (4)	4 x 8 x 3mm Kugellager (4)	Roulement à billes 4 x 8 x 3mm (4)	Cuscinetto a sfera 4 x 8 x 3mm (4)
LOS45027	Wheel, Silver (2)	Rad, Silber (2)	Roue, argent (2)	Ruota, argento (2)
LOS45028	Wheel, Black (2)	Rad, Schwarz (2)	Roue, noire (2)	Ruota, nero (2)
LOS45029	Maxxis Creepy Crawler Mounted (2)	Maxxis Creepy Crawler Montiert (2)	Maxxis Creepy Crawler montées (2)	Maxxis Creepy Crawler montate (2)
LOS45030	Maxxis Creepy Crawler LT (2)	Maxxis Creepy Crawler LT (2)	Maxxis Creepy Crawler LT (2)	Maxxis Creepy Crawler LT (2)
LOSA6942	8 x 16mm Sealed Ball Bearing (4)	8 x 16mm abgedichtetes Kugellager (4)	Roulement à billes hermétique 8 x 16mm (4)	Cuscinetto a sfera sigillato 8 x 16mm (4)
SPM2340	DX3 2.4GHz Transmitter	DX3 2,4 GHz-Sender	Émetteur 2,4 GHz DX3	Trasmittente DX3 2,4 GHz
SPMS905	S905 Large Scale 40KG Waterproof Metal Gear Surface Servo, 15T	S905 großer 40 kg Micro-Metallgetriebe-Oberflächenservo, wasserdicht, 15T	Servo de surface à engrenage métallique étanche à grande échelle 40 kg S905, 15T	Servo S905 per modelli di superficie grande scala, 40 kg, ingr. metallo, impermeabile, 15T
SPMSR6200A	6200A 6CH DSMR AVC Surface Rx	6200A 6-Kanal DSMR AVC Oberflächenempfänger	6200A 6 canaux DSMR AVC Surface Rx	Ricevitore di superficie 6200A 6 canali DSMR AVC
SPMXSE1160	Firma 160 Amp 8s Brushless Smart ESC	Firma 160 Amp 8s Brushless Smart ESC	Variateur ESC Smart sans balais 8s 160 A Firma	Smart ESC Firma 160 A 8S Brushless
SPMXSM2400	Firma 5687 BL Motor 750kv	Firma 5687 BL Motor 7500kv	Moteur Firma 750 kv BL 4P 5687	Motore Firma 5687 denti BL 750Kv
TLR235008	Flat Head Screws, M3 x 6mm (10)	Rundkopfschrauben, M3 x 6mm (10)	Vis à tête plate, M3 x 6mm (10)	Viti a testa piatta, M3 x 6mm (10)
TLR245008	Cap Head Screws, M2 x 10mm (10)	Inbusschrauben M2 x 10mm (10)	Vis d'assemblage creuses, M2 x 10mm (10)	Viti a testa cilindrica, M2 x 10mm (10)
TLR245009	Cap Head Screws, M4 x 16mm (10)	Inbusschrauben, M4 x 16mm (10)	Vis d'assemblage creuses, M4 x 16mm (10)	Viti a testa cilindrica, M4 x 16mm (10)
TLR255004	Cap Head Screw, M2,5 x 8mm (10)	Inbusschraube, M2,5 x 8mm (10)	Vis d'assemblage creuse, M2,5 x 8mm (10)	Vite a testa cilindrica M2,5 x 8mm (10)
TLR255008	Button Head Screw, M4 x 16mm (10)	Rundkopfschraube, M4 x 16mm (10)	Vis à tête bombée, M4 x 16mm (10)	Vite a testa tonda M4 x 16mm (10)
TLR255009	Button Head Screw, M4 x 20mm (10)	Rundkopfschraube, M4 x 20mm (10)	Vis à tête bombée, M4 x 20mm (10)	Vite a testa tonda M4 x 20mm (10)
TLR255010	Button Head Screw, M4 x 25mm (10)	Rundkopfschraube, M4 x 25mm (10)	Vis à tête bombée, M4 x 25mm (10)	Vite a testa tonda M4 x 25mm (10)
TLR255013	Flat Head Screw, M4 x 12mm (10)	Rundkopfschraube, M4 x 12mm (10)	Vis à tête plate, M4 x 12mm (10)	Vite a testa piana M4 x 12mm (10)
TLR255014	Flat Head Screw, M4 x 20mm (10)	Rundkopfschraube, M4 x 20mm (10)	Vis à tête plate, M4 x 20mm (10)	Vite a testa piana M4 x 20mm (10)
TLR255015	Set Screw, Cup Point, M4 x 5mm (10)	Stellschraube, Ringschneide, M4 x 5mm (10)	Vis de fixation, bout cuvette, M4 x 5mm (10)	Vite di fermo, a M4 x 5mm (10)
TLR256005	Nylock Nut, M4 (10)	Nylock-Mutter, M4 (10)	Contre-écrou Nylock, M4 (10)	Dado Nylock, M4 (10)
TLR256006	Washers, M4 (10)	Unterlegscheiben, M3 (10)	Rondelles, M3 (10)	Rondelle, M3 (10)
TLR5901	Button Head Screw, M3 x 6mm (10)	Rundkopfschraube, M3 x 6mm (10)	Vis à tête bombée, M3 x 6mm (10)	Vite a testa tonda M3 x 6mm (10)
TLR5902	Button Head Screw, M3 x 8mm (10)	Rundkopfschraube, M3 x 8mm (10)	Vis à tête bombée, M3 x 8mm (10)	Vite a testa tonda M3 x 8mm (10)
TLR5903	Button Head Screw, M3 x 10mm (10)	Rundkopfschraube, M3 x 10mm (10)	Vis à tête bombée, M3 x 10mm (10)	Vite a testa tonda M3 x 10mm (10)
TLR5904	Button Head Screw, M3 x 12mm (10)	Rundkopfschraube, M3 x 12mm (10)	Vis à tête bombée, M3 x 12mm (10)	Vite a testa tonda M3 x 12mm (10)
TLR5906	Button Head Screw, M3 x 35mm (10)	Rundkopfschraube, M3 x 35mm (10)	Vis à tête bombée, M3 x 35mm (10)	Vite a testa tonda M3 x 35mm (10)
TLR5909	Button Head Screw, M3x16mm (10)	Rundkopfschraube, M3 x 16mm (10)	Vis à tête bombée, M3 x 16mm (10)	Vite a testa tonda, M3x16mm (10)
TLR5911	Button Head Screw, M3 x 20mm (10)	Rundkopfschraube, M3 x 20mm (10)	Vis à tête bombée, M3 x 20mm (10)	Vite a testa tonda, M3 x 20mm (10)
TLR5932	Cap Head Screw, M3 x 10mm (10)	Inbusschraube, M3 x 10mm (10)	Vis d'assemblage creuse, M3 x 10mm (10)	Vite a testa cilindrica M3 x 10mm (10)
TLR5933	Cap Head Screw, M3 x 12mm (10)	Inbusschraube, M3 x 12mm (10)	Vis d'assemblage creuse, M3 x 12mm (10)	Vite a testa cilindrica M3 x 12mm (10)
TLR5934	Cap Head Screw, M3 x 16mm (10)	Inbusschraube, M3 x 16mm (10)	Vis d'assemblage creuse, M3 x 16mm (10)	Vite a testa cilindrica M3 x 16mm (10)
TLR5961	Flathead Screw, M3 x 8mm (10)	Flachkopfschraube, M3 x 8mm (10)	Vis à tête plate, M3 x 8mm (10)	Vite a testa piana, M3 x 8mm (10)
TLR5963	Flathead Screw, M3 x 12mm (10)	Flachkopfschraube, M3 x 12mm (10)	Vis à tête plate, M3 x 12mm (10)	Vite a testa piana, M3 x 12mm (10)
TLR6289	Set Screw, M3 x 5mm (10)	Stellschraube, M3 x 5mm (10)	Vis de fixation, M3 x 5mm (10)	Vite di fermo, M3 x 5mm (10)
TLR6291	Set Screw, M5 x 4mm, Flat Point (10)	Stellschraube, M5 x 4mm, Flat Point (10)	Vis de fixation M5 x 4mm, bout plat (10)	Grani, M5 x 4mm, punta piatta (10)
TLR6313	Locknut, M3 x 5 x 5.5mm, Flat Point (10)	Kontermutter, M3 x 5 x 5,5mm, Flat Point (10)	Contre-écrou, M3 x 5 x 5,5mm, bout plat (10)	Controdadi, M3 x 5 x 5,5mm, punta piatta (10)
TLR6352	Washers, M3 (10)	Unterlegscheiben, M3 (10)	Rondelles, M3 (10)	Rondelle, M3 (10)
VTR235035	M3 x 30mm Cap Head Screw (10)	M3 x 30mm Inbusschraube (10)	Vis d'assemblage creuse, M3 x 30mm (10)	Vite testa cilindrica M3 x 30mm (10)

## Optional Parts // Diverse Teile // Pièces optionnelles // Pezzi opzionali

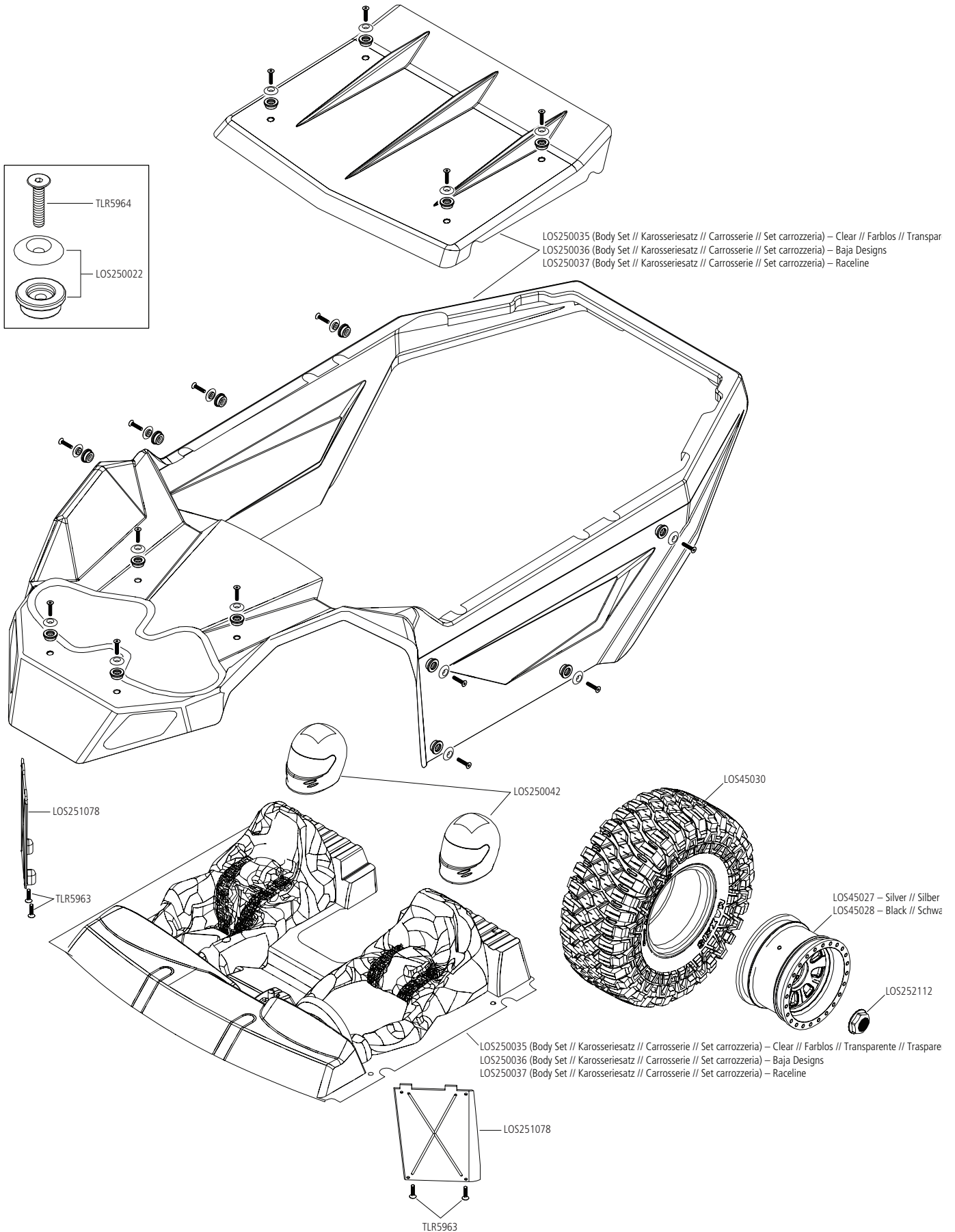
Part #	English	Deutsch	Français	Italiano
LOS252040	Pinion Gear, 17T, 8mm Shaft, 1.5M	Zahnradgetriebe, 17T, 8mm Welle, 1.5M	Engrenage à pignons, 17T, arbre de 8mm, 1,5M	Pignone, 17T, albero 8mm, 1.5M
LOS252041	Pinion Gear, 18T, 8mm Shaft, 1.5M	Zahnradgetriebe, 18T, 8mm Welle, 1.5M	Engrenage à pignons, 18T, arbre de 8mm, 1,5M	Pignone, 18T, albero 8mm, 1.5M
LOS252042	Pinion Gear, 19T, 8mm Shaft, 1.5M	Zahnradgetriebe, 19T, 8mm Welle, 1.5M	Engrenage à pignons, 19T, arbre de 8mm, 1,5M	Pignone, 19T, albero 8mm, 1.5M
LOS252043	Pinion Gear, 20T, 8mm Shaft, 1.5M	Zahnradgetriebe, 20T, 8mm Welle, 1.5M	Engrenage à pignons, 20T, arbre de 8mm, 1,5M	Pignone, 20T, albero 8mm, 1.5M
LOS252044	Pinion Gear, 21T, 8mm Shaft, 1.5M	Zahnradgetriebe, 21T, 8mm Welle, 1.5M	Engrenage à pignons, 21T, arbre de 8mm, 1,5M	Pignone, 21T, albero 8mm, 1.5M
LOS252045	Pinion Gear, 22T, 8mm Shaft, 1.5M	Zahnradgetriebe, 22T, 8mm Welle, 1.5M	Engrenage à pignons, 22T, arbre de 8mm, 1,5M	Pignone, 22T, albero 8mm, 1.5M
LOS252088	Pinion Gear, 23T, 8mm Shaft, 1.5M	Zahnradgetriebe, 23T, 8mm Welle, 1.5M	Engrenage à pignons, 23T, arbre de 8mm, 1,5M	Pignone, 23T, albero 8mm, 1.5M
LOS252089	Pinion Gear, 24T, 8mm Shaft, 1.5M	Zahnradgetriebe, 24T, 8mm Welle, 1.5M	Engrenage à pignons, 24T, arbre de 8mm, 1,5M	Pignone, 24T, albero 8mm, 1.5M
LOS351010	Aluminum Steering Servo Mount	Aluminium Lenkservo-Halterung	Support servo de direction en aluminium	Supporto servo sterzo in alluminio
LOS351019	Front Skid Plate, Aluminum: SBR & SRR	Aluminium Front Gleitplatte	Plaque de protection en aluminium	Piastra paramotore in alluminio
LOS351020	Servo Saver Top Right Side Aluminum: SBR & SRR	Servo Saver oben rechts Aluminium	Servo Saver côté supérieur droit en aluminium	Servo Saver in alto a destra in alluminio
LOS354006	Aluminum Axle Housing Upper Track Rod Mount	Aluminium Achshülse Obere Spurstange Halterung	Support de barre d'accouplement supérieur de carter d'essieu en aluminium	Supporto asta di rinforzo alloggiamento asse in alluminio
LOS354007	Aluminum Lower Rear Trailing Arms (2)	Aluminium Untere Hinterachsträger (2)	Bras oscillants inférieurs arrière en aluminium (2)	Bracci longitudinali posteriori inferiori in alluminio
LOS354008	Aluminum Shock Tower Set, Rear	Aluminium Stoßdämpfersatz, Heck	Ensemble de tour d'amortisseur en aluminium, arrière	Set torre ammortizzatore, posteriore, in alluminio
LOS354009	Aluminum Lower Trailing Arm Mount Set	Aluminium Unterer Achsträger Halterungssatz	Ensemble de support de bras oscillant inférieur en aluminium	Set supporto braccio longitudinale inferiore in alluminio
LOS354011	Aluminum Uppr Track Rod Mount Set	Aluminium Obere Spurstange Halterungssatz	Ensemble de support de barre d'accouplement supérieur en aluminium	Set supporto asta di rinforzo superiore in alluminio
SPMBT2000	Bluetooth Module DX3	Bluetooth-Modul DX3	Module Bluetooth DX3	Modulo Bluetooth DX3
SPMSS9110BL	S9110BL Brushless 1/5th Speed Servo	S9110BL Bürstenloses 1/5-Gang-Servo	Servo S9110BL Brushless 1 / 5ème vitesse	S9110BL Servo senza spazzole 1/5 velocità
SPMSS9120BL	S9120BL Brushless 1/5th Torque Servo	S9120BL Brushless 1 / 5th Torque Servo	Servomoteur S9120BL Brushless 1/5 Couple	S9120BL Servo senza spazzole 1/5 di coppia



# SUPER ROCK REY® ROCK RACER V2, RTR

LOS05016V2T1/T2

EXPLODED VIEW // EXPLOSIONSZEICHNUNG // VUE ÉCLATÉE DES PIÈCES // VISTA ESPLOSA DELLE PARTI



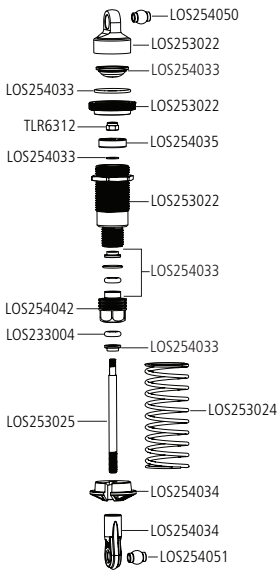


# SUPER ROCK REY® ROCK RACER V2, RTR

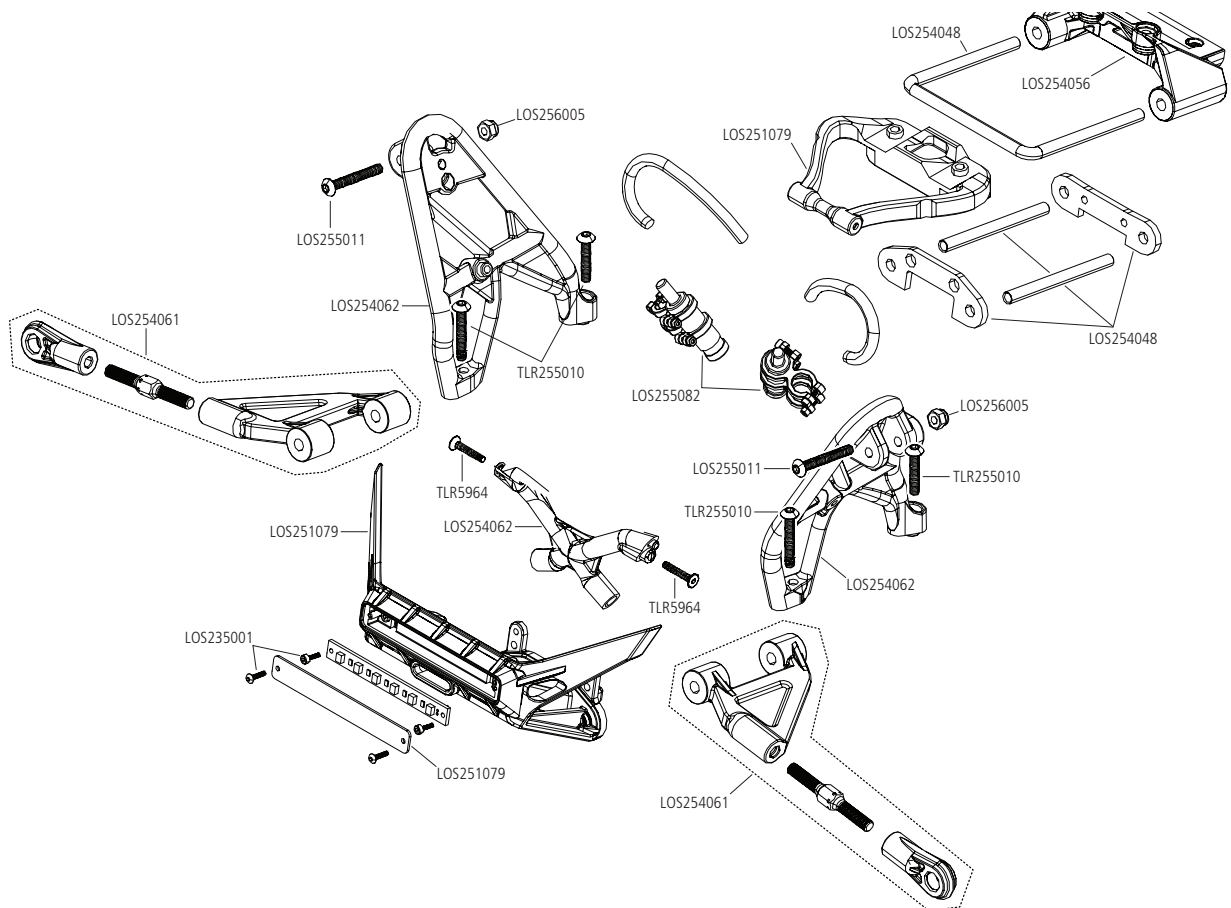
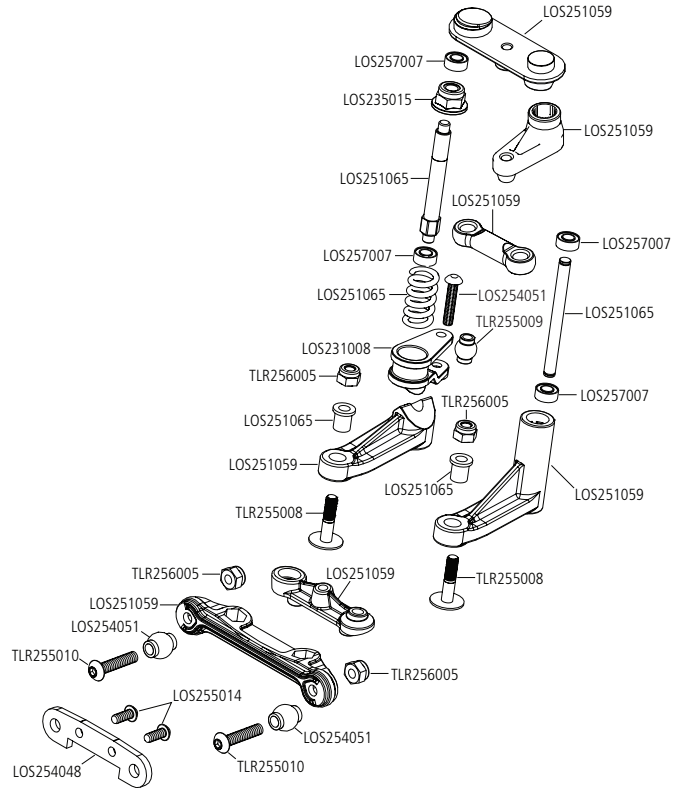
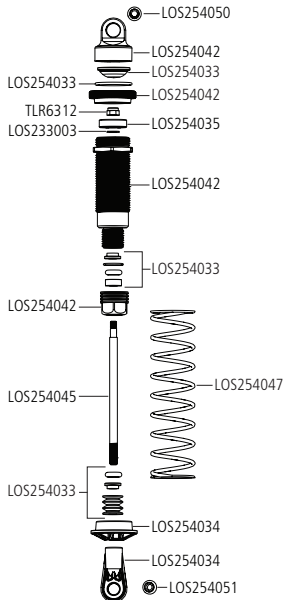
LOS05016V2T1/T2

EXPLODED VIEW // EXPLOSIONSZEICHNUNG // VUE ÉCLATÉE DES PIÈCES // VISTA ESPLOSA DELLE PARTI

### Front Shock



### Rear Shock











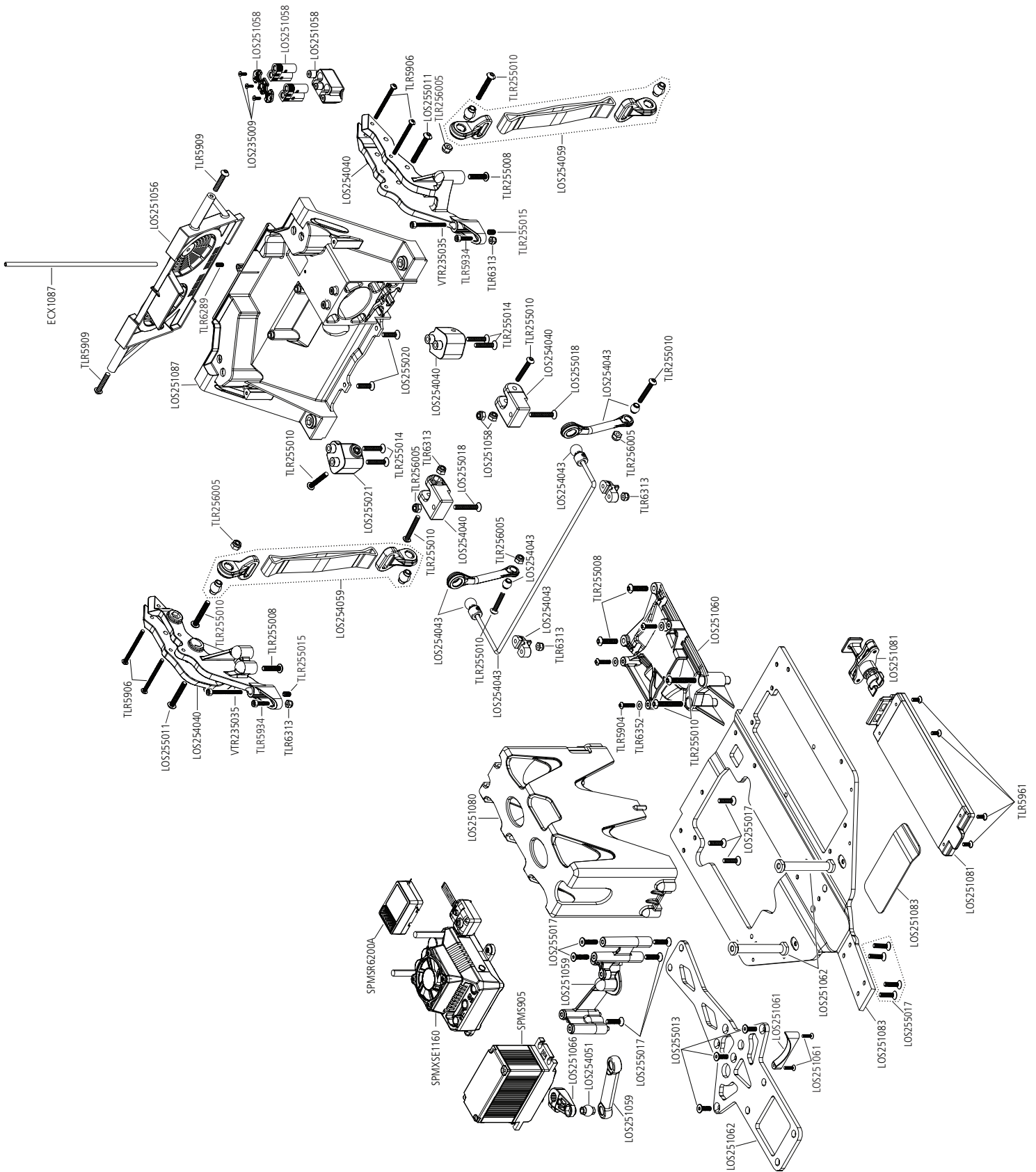




# SUPER ROCK REY® ROCK RACER V2, RTR

LOS05016V2T1/T2

EXPLODED VIEW // EXPLOSIONSZEICHNUNG // VUE ÉCLATÉE DES PIÈCES // VISTA ESPLOSA DELLE PARTI





**WWW.LOSI.COM**

©2021 Horizon Hobby, LLC.

Losi, Rock Rey, DSM, DSM2, DSMR, AVC, Active Vehicle Control, EC3, Dynamite, Fuze, Prophet, DX3, and the Horizon Hobby logo are trademarks or registered trademarks of Horizon Hobby, LLC.

The Spektrum trademark is used with permission of Bachmann Industries, Inc. Fox and their respective logos are used under license by Horizon Hobby, LLC.

All other trademarks, service marks and logos are property of their respective owners.

US 9,320,977. US 10,528,060. US 9,930,567. US 10,419,970. US 10,849,013. Other patents pending.

Created 04/21

126062 | LOS05016V2T1/T2