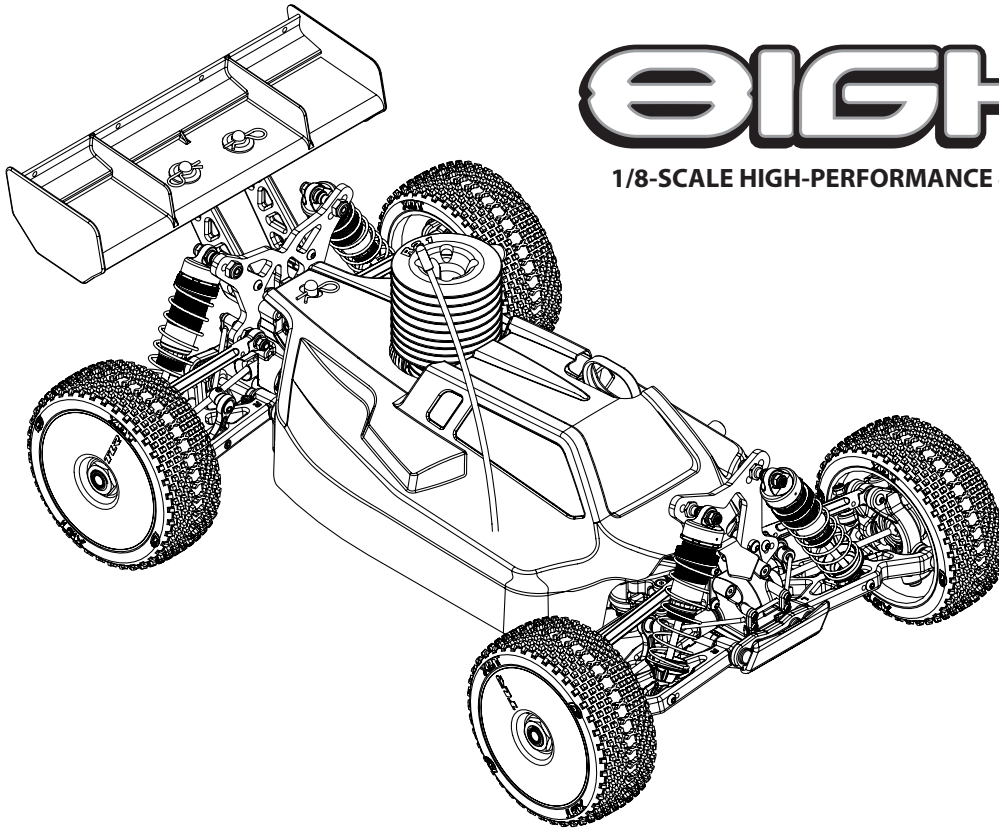


**RTR**  
READY-TO-RUN

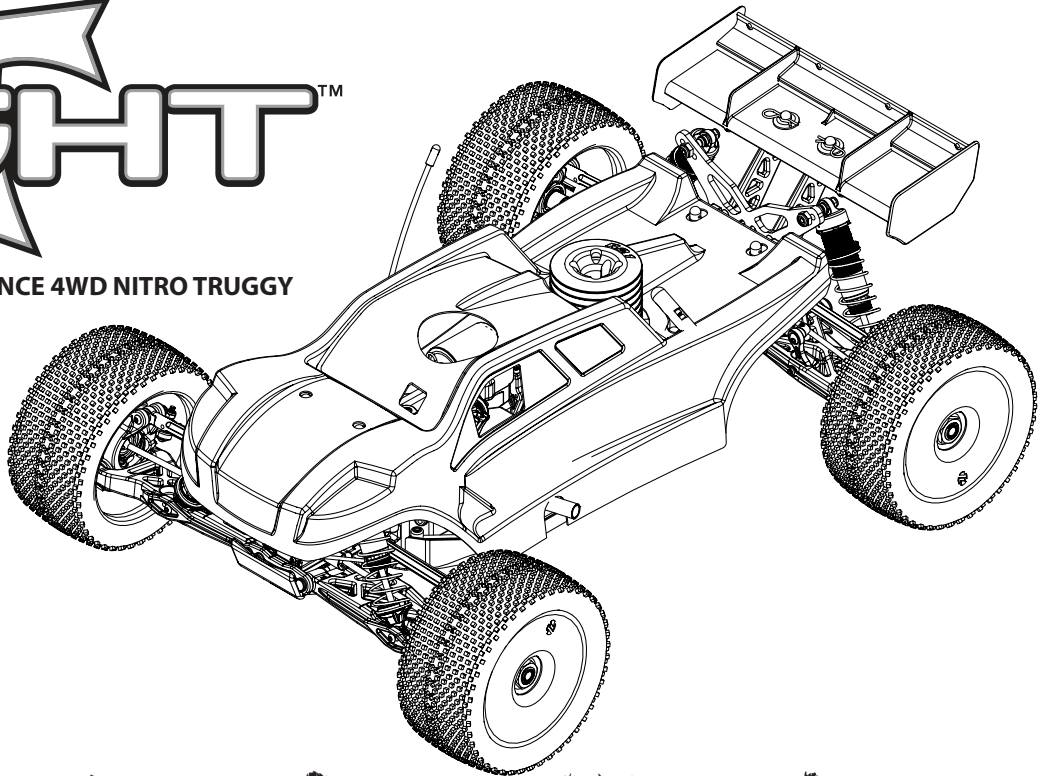


**EIGHT™**

1/8-SCALE HIGH-PERFORMANCE 4WD NITRO BUGGY

**EIGHT™**

1/8-SCALE HIGH-PERFORMANCE 4WD NITRO TRUGGY



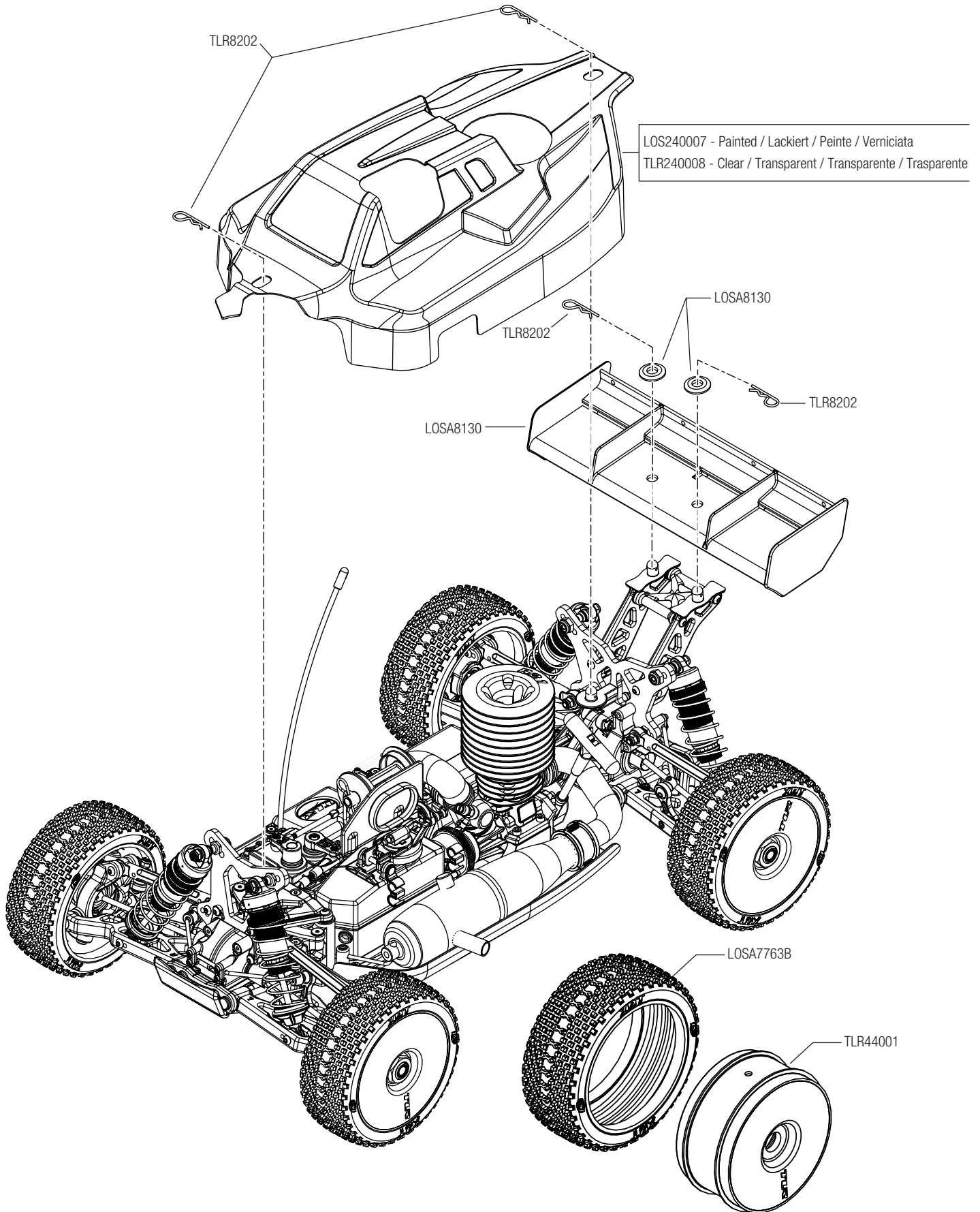
**INSTRUCTION MANUAL  
BEDIENUNGSANLEITUNG  
MANUEL D'UTILISATION  
MANUALE DI ISTRUZIONI**



Before operating this vehicle, please read all printed materials thoroughly.  
Horizon Hobby is not responsible for inadvertent errors in this manual.

# Buggy Exploded View Buggy Explosionsansicht

# Vue éclatée du Buggy Esploso del buggy



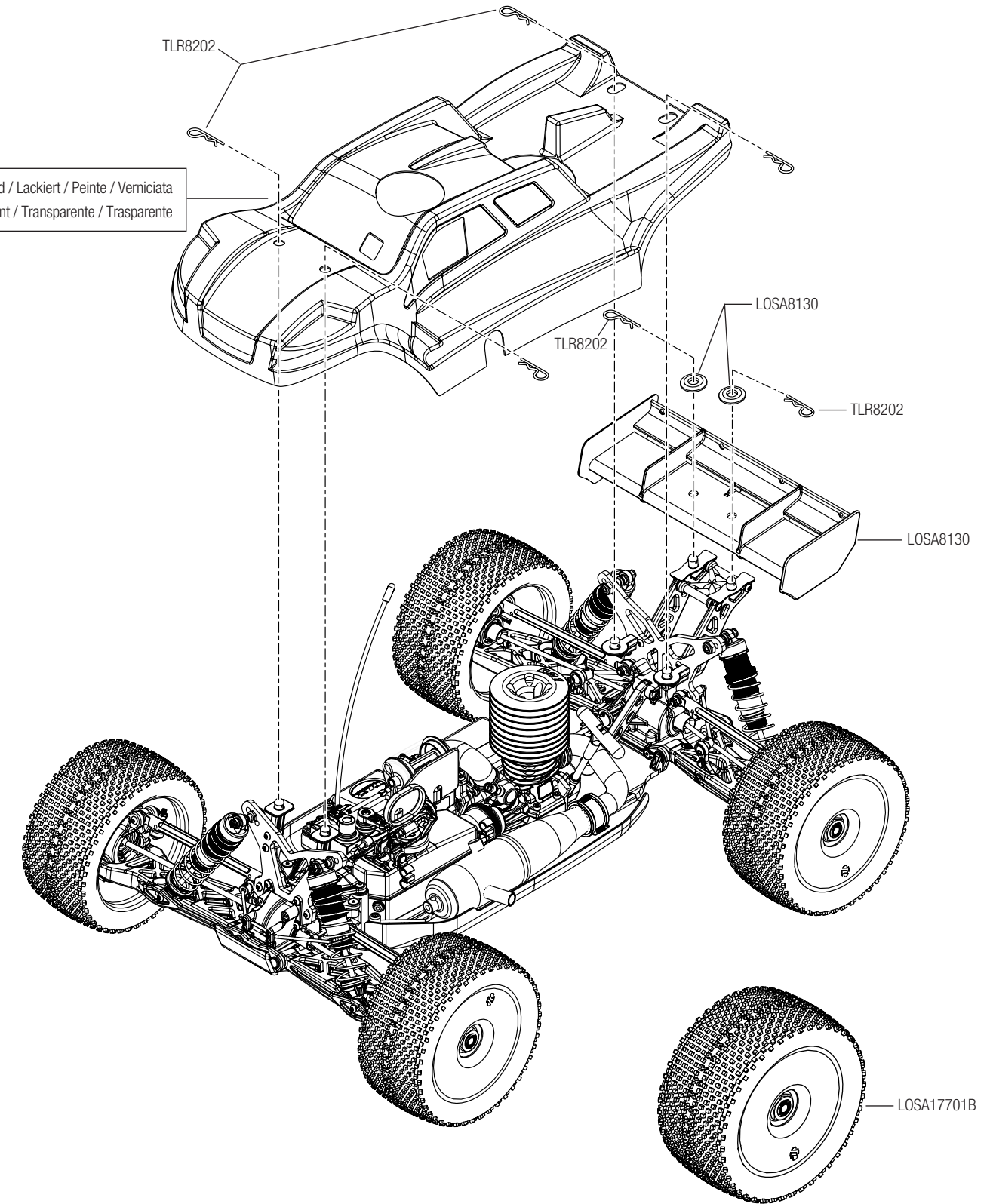






# Truggy Exploded View

# Vue éclatée du Truggy







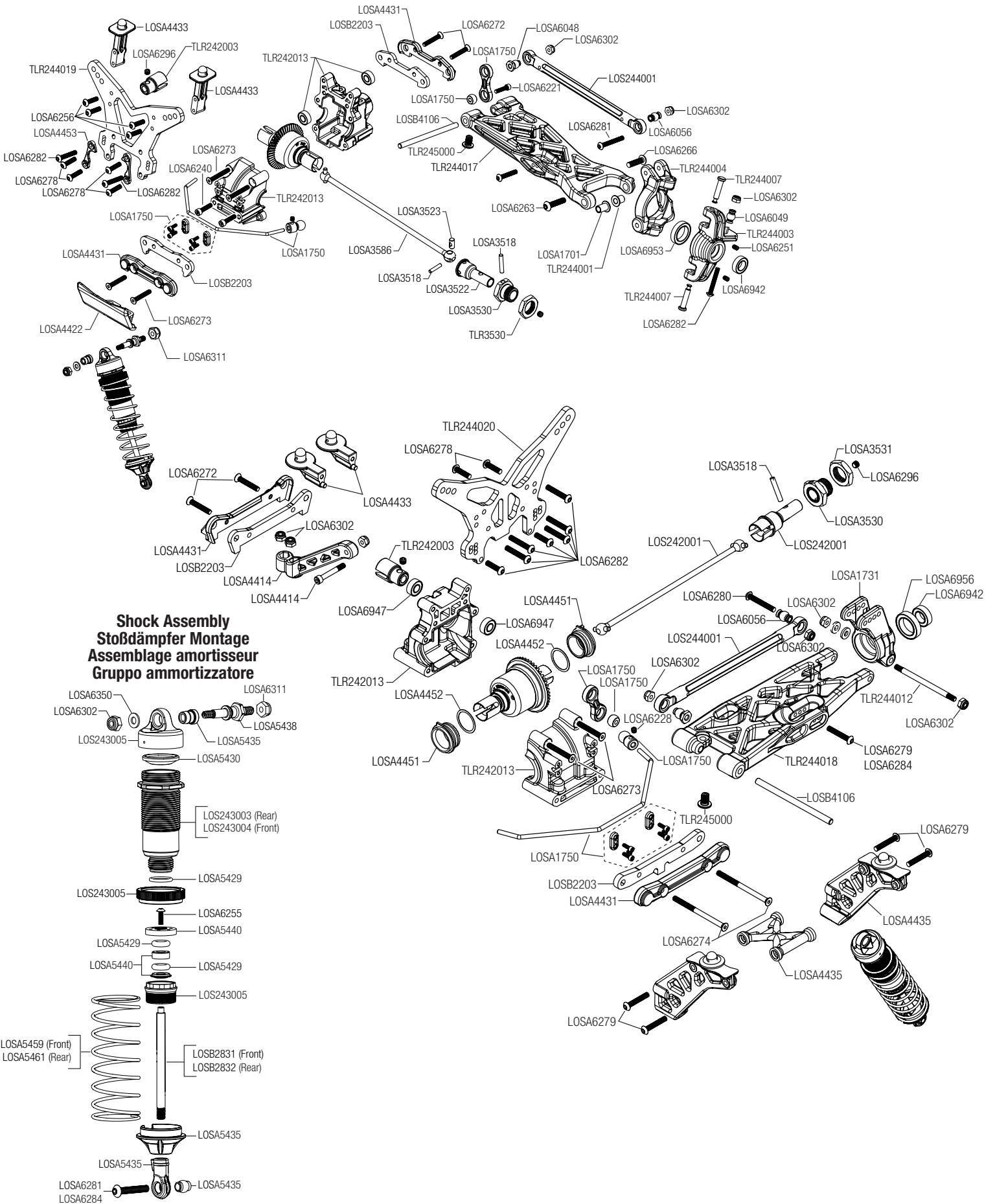


# Truggy Exploded View

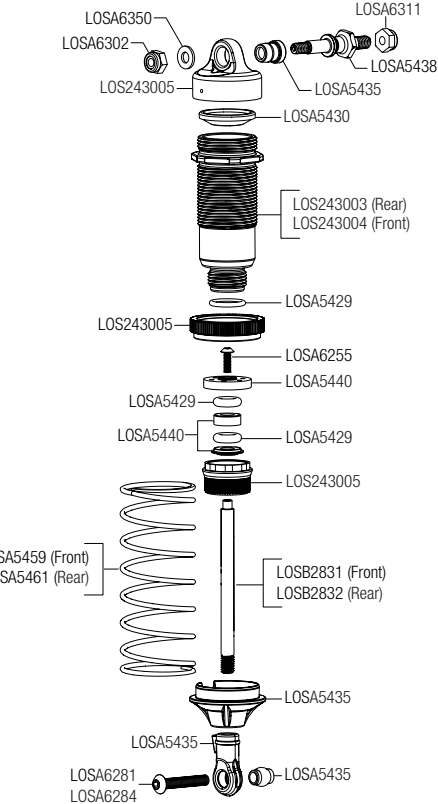
# Vue éclatée du Truggy

# Truggy Explosionsansicht

# Esploso del truggy



**Shock Assembly**  
**Stoßdämpfer Montage**  
**Assemblage amortisseur**  
**Gruppo ammortizzatore**





[www.LOSI.com](http://www.LOSI.com)

50644

Created 10/16 **LOS04010** | **LOS04011**

©2016 Horizon Hobby LLC.

Losi, 8IGHT, 8IGHT-T, DSM, DSM2, DSMR, Dynamite and the Horizon Hobby logo are trademarks or registered trademarks of Horizon Hobby, LLC. The Spektrum trademark is used with permission of Bachmann Industries, Inc. All other trademarks, service marks and logos are property of their respective owners. Patents pending.