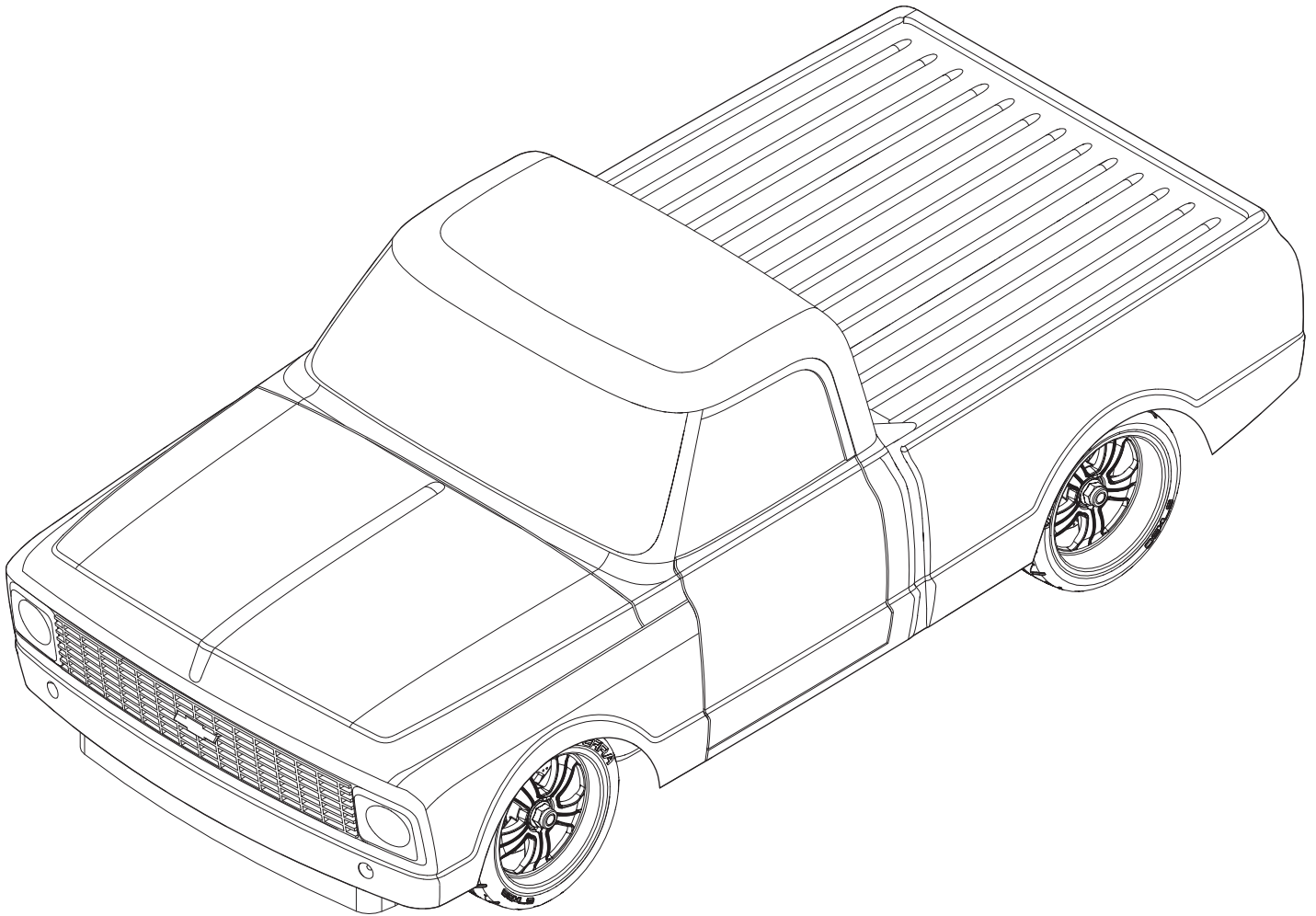




Scan the QR code and select the  
Manuals & Support tab from the product  
page for the most up-to-date information



## '72 CHEVY® C10 V100 RTR



**INSTRUCTION MANUAL**  
**BEDIENUNGSANLEITUNG**  
**MANUEL D'UTILISATION**  
**MANUALE DI ISTRUZIONI**

Before operating this vehicle, please read all  
printed materials thoroughly. Horizon Hobby is not  
responsible for inadvertent errors in this manual.

**HORIZON**  
H O B B Y

## NOTICE

All instructions, warranties and other collateral documents are subject to change at the sole discretion of Horizon Hobby, LLC. For up-to-date product literature, visit [horizonhobby.com](http://horizonhobby.com) or [towerhobbies.com](http://towerhobbies.com) and click on the support or resources tab for this product.

## MEANING OF SPECIAL LANGUAGE

The following terms are used throughout the product literature to indicate various levels of potential harm when operating this product:

**WARNING:** Procedures, which if not properly followed, create the probability of property damage, collateral damage, and serious injury OR create a high probability of superficial injury.

**CAUTION:** Procedures, which if not properly followed, create the probability of physical property damage AND a possibility of serious injury.

**NOTICE:** Procedures, which if not properly followed, create a possibility of physical property damage AND a little or no possibility of injury.

**WARNING:** Read the ENTIRE instruction manual to become familiar with the features of the product before operating. Failure to operate the product correctly can result in damage to the product, personal property and cause serious injury.

This is a sophisticated hobby product. It must be operated with caution and common sense and requires some basic mechanical ability. Failure to operate this Product in a safe and responsible manner could result in injury or damage to the product or other property. This product is not intended for use by children without direct adult supervision. Do not use with incompatible components or alter this product in any way outside of the instructions provided by Horizon Hobby, LLC. This manual contains instructions for safety, operation and maintenance. It is essential to read and follow all the instructions and warnings in the manual, prior to assembly, setup or use, in order to operate correctly and avoid damage or serious injury.

**WARNING AGAINST COUNTERFEIT PRODUCTS** Always purchase from a Horizon Hobby, LLC authorized dealer to ensure authentic high-quality Spektrum product. Horizon Hobby, LLC disclaims all support and warranty with regards, but not limited to, compatibility and performance of counterfeit products or products claiming compatibility with DSM or Spektrum technology.

**Age Recommendation: Not for children under 14 years. This is not a toy.**

## SAFETY PRECAUTIONS AND WARNINGS

As the user of this product, you are solely responsible for operating in a manner that does not endanger yourself and others or result in damage to the product or property of others.

This model is controlled by a radio signal subject to interference from many sources outside your control. This interference can cause momentary loss of control, so it is advisable to always keep a safe distance in all directions around your model as this margin will help avoid collisions or injury.

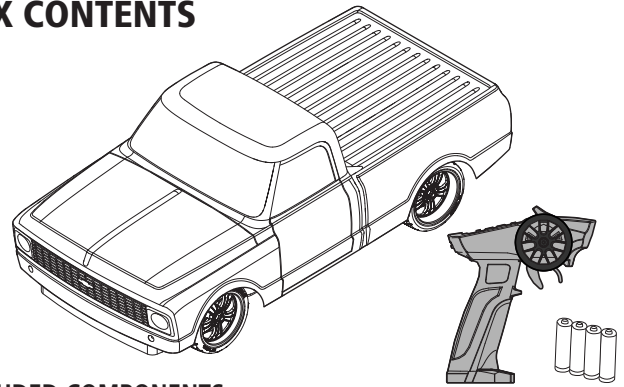
- Never operate your model with low transmitter batteries.
- Always operate your model in open spaces away from full-size vehicles, traffic and people.
- Never operate the model in the street or in populated areas for any reason.
- Carefully follow the directions and warnings for this and any optional support equipment (chargers, rechargeable battery packs, etc.) you use.
- Keep all chemicals, small parts and anything electrical out of the reach of children.

- Never lick or place any portion of the model in your mouth as it could cause serious injury or even death.
- Exercise caution when using tools and sharp instruments.
- Take care during maintenance as some parts may have sharp edges.
- Immediately after using your model, do NOT touch equipment such as the motor, electronic speed control and battery, because they generate high temperatures. You may burn yourself seriously touching them.
- Do not put fingers or any objects inside rotating and moving parts, as this may cause damage or serious injury.
- Always turn on your transmitter before you turn on the receiver in the car. Always turn off the receiver before turning your transmitter off.
- Keep the wheels of the model off the ground when checking the operation of the radio equipment.

## TABLE OF CONTENTS

Water-resistant Vehicle with Waterproof Electronics.....	3
Quick Start.....	3
Charging the Battery.....	3
Transmitter Controls.....	4
Adjusting the Dual Rates.....	4
Installing the Transmitter Batteries.....	4
Before Running Your Vehicle.....	4
Driving Precautions.....	4
Electronic Speed Control (ESC).....	5
Powering on the Vehicle.....	5
Performing a control direction test.....	5
When You Are Finished.....	6
Troubleshooting Guide.....	6
Binding.....	6
Run Time.....	6
To Improve Run Times.....	6
Replacement Parts.....	7
Recommended Parts.....	7
Front End Exploded View.....	8
Rear End Exploded View.....	9
Limited Warranty.....	11
Warranty and Service Contact Information.....	12
FCC Statement.....	12
IC Information.....	12
Compliance Information for the European Union.....	12

## BOX CONTENTS



### INCLUDED COMPONENTS

- Losi® '72 C10 RTR
  - Horizon 2-in-1 ESC/Rx: 1/10 45A (HRZ00003)
  - Spektrum™ 3KG 23T Waterproof Servo (SPMS603)
  - Dynamite® 15-Turn Brushed Motor (DYN1172)
- Horizon 3-Ch 2.4GHz Transmitter (HRZ00001)
- 4 AAA batteries (for transmitter)

### REGISTER YOUR LOSI PRODUCT ONLINE

Register your vehicle now and be the first to find out about the latest option parts, product updates and more. Click on the Support tab at [www.losi.com](http://www.losi.com) and follow the product registration link to stay connected.

### REQUIRED TO COMPLETE

This Losi vehicle comes pre-assembled and ready to drive with the included transmitter. 4 AAA Batteries are included for the transmitter; a battery and charger to power the vehicle are not included. This vehicle is compatible with 6 cell NiMH (sub-C type cells) or 2 cell LiPo battery packs with EC3™ or IC3® battery connectors. Please select an appropriate charger to match your chosen battery, and set the battery mode selection to match your chosen pack. See the section in this manual on the Electronic Speed Control for more information.

## WATER-RESISTANT VEHICLE WITH WATERPROOF ELECTRONICS

Your new Horizon Hobby vehicle has been designed and built with a combination of waterproof and water-resistant components to allow you to operate the product in many "wet conditions," including puddles, creeks, wet grass, snow and even rain.

While the entire vehicle is highly water-resistant, it is not completely waterproof and your vehicle should NOT be treated like a submarine. The various electronic components used in the vehicle, such as the Electronic Speed Control (ESC), servo(s) and receiver are waterproof, however, most of the mechanical components are water-resistant and should not be submerged.

Metal parts, including the bearings, hinge pins, screws and nuts, as well as the contacts in the electrical cables, will be susceptible to corrosion if additional maintenance is not performed after running in wet conditions. To maximize the long-term performance of your vehicle and to keep the warranty intact, the procedures described in the "Wet Conditions Maintenance" section below must be performed regularly if you choose to run in wet conditions. If you are not willing to perform the additional care and maintenance required, then you should not operate the vehicle in those conditions.



**CAUTION:** Failure to exercise caution while using this product and complying with the following precautions could result in product malfunction and/or void the warranty.

### GENERAL PRECAUTIONS

- Read through the wet conditions maintenance procedures and make sure that you have all the tools you will need to properly maintain your vehicle.
- Not all batteries can be used in wet conditions. Consult the battery manufacturer before use. Caution should be taken when using Li-Po batteries in wet conditions.
- Most transmitters are not water-resistant. Consult your transmitter's manual or the manufacturer before operation.
- Never operate your transmitter or vehicle where lightning may be present.
- Do not operate your vehicle where it could come in contact with salt water (ocean water or water on salt-covered roads), contaminated or polluted water. Salt water is very conductive and highly corrosive, so use caution.
- Even minimal water contact can reduce the life of your motor if it has not been certified as water-resistant or waterproof. If the motor becomes excessively wet, apply very light throttle until the water is mostly removed from the motor. Running a wet motor at high speeds may rapidly damage the motor.
- Driving in wet conditions can reduce the life of the motor. The additional resistance of operating in water causes excess strain. Alter the gear ratio by using a smaller pinion or larger spur gear. This will increase torque (and motor life) when running in mud, deeper puddles, or any wet conditions that will increase the load on the motor for an extended period of time.

## QUICK START

Please read the entire manual to gain a full understanding of this Losi vehicle, fine-tuning the setup and performing maintenance.

1. Read the safety precautions found in this manual.
2. Charge a battery for the vehicle. Refer to the included charging warnings and instructions for battery charging information.
3. Install the AAA batteries in the transmitter. Only use alkaline or rechargeable batteries.
4. Install the fully charged battery in the vehicle.
5. Power ON the transmitter and then the vehicle. Wait 5 seconds for the ESC to initialize. Always power the transmitter ON before the vehicle and power it OFF after the vehicle has been powered OFF.
6. Check the steering and throttle control directions. Verify that the servos are moving in the correct direction.
7. Drive your vehicle.
8. Perform any necessary maintenance.

## CHARGING THE BATTERY

Refer to your battery and charger manuals for usage, safety, and charging information.

### WET CONDITIONS MAINTENANCE

- Drain any water that has collected in the tires by spinning them at high speed. With the body removed, place the vehicle upside down and pull full throttle for a few short bursts until the water has been removed.



**CAUTION:** Always keep hands, fingers, tools and any loose or hanging objects away from rotating parts when performing the above drying technique.

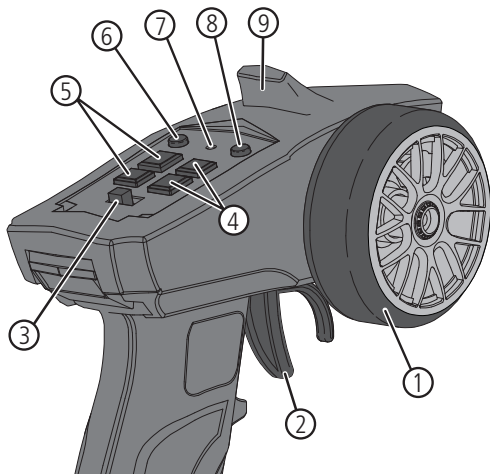
- Remove the battery pack(s) and dry the contacts. If you have an air compressor or a can of compressed air, blow out any water that may be inside the recessed connector housing.
- Remove the tires/wheels from the vehicle and gently rinse the mud and dirt off with a garden hose. Avoid rinsing the bearings and transmission.

**NOTICE:** Never use a pressure washer to clean your vehicle.

- Use an air compressor or a can of compressed air to dry the vehicle and help remove any water that may have gotten into small crevices or corners.
- Spray the bearings, drive train, fasteners and other metal parts with a water-displacing light oil. Do not spray the motor.
- Let the vehicle air dry before you store it. Water (and oil) may continue to drip for a few hours.
- Increase the frequency of disassembly, inspection and lubrication of the following:
  - Front and rear axle hub assembly bearings.
  - All transmission cases, gears and differentials.
  - Motor—clean with an aerosol motor cleaner and re-oil the bushings with lightweight motor oil.



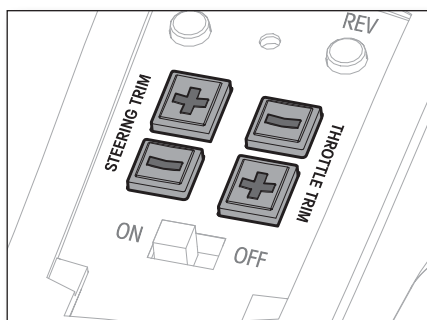
## TRANSMITTER CONTROLS



- Steering Wheel** Controls direction (left/right) of the model
- Throttle Trigger** Controls speed and direction (forward/brake/reverse) of the model
- ON/OFF Switch** Turns the power ON/OFF
- Throttle Trim/Dual Rate** Adjusts the throttle trim/end points
- Steering Trim/Dual Rate** Adjusts the steering trim/end points
- CH 3**
- Indicator Lights**
  - **Solid blue light**—Indicates radio connectivity and adequate battery power
  - **Flashing blue light**—Indicates the battery voltage is critically low. Replace batteries
- REV** Reverses the steering wheel and throttle functions
- Antenna** Transmits the signal to the model

### ADJUSTING THE DUAL RATES

The transmitter allows you to adjust steering and throttle dual rates.



#### Steering Dual Rate

- Power ON the transmitter.
- Power ON the vehicle.
- Turn the steering wheel fully left or right on the transmitter and hold that position.
- To adjust the endpoints press the Steering Trim +/- button to increase or decrease the throw.

#### Throttle Dual Rate

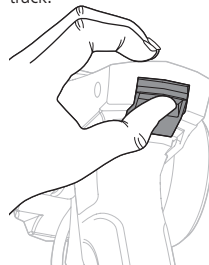
- Place the vehicle on a stand, and power ON the transmitter.
- Power ON the vehicle.
- Apply either forward or reverse throttle input on the transmitter and hold that position.
- To adjust the endpoints press the Throttle Trim +/- button to increase or decrease throw.

**NOTICE:** Do not adjust the throttle dual rate while the vehicle is powered on and the wheels are in contact with any surface. Adjusting the throttle dual rate may power the motor, which could cause damage to property or personal injury.

### INSTALLING THE TRANSMITTER BATTERIES

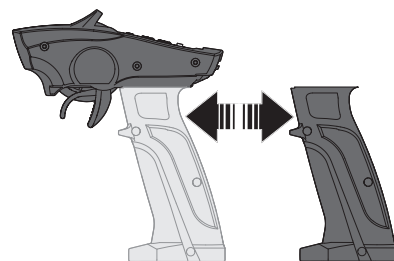
#### Assemble

- On the top transmitter portion, press the rear button.
- Slide the transmitter handle into the track.



#### Disassemble

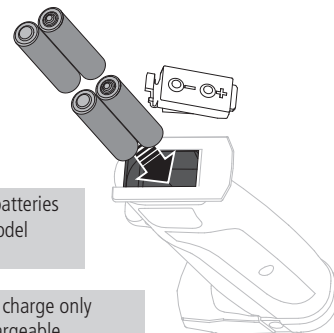
- On the top transmitter portion, press the rear button.
- Slide the transmitter handle out of the track.



#### Install the batteries in the handle

This transmitter requires 4 AAA batteries.

- Remove the battery cover from the transmitter.
- Install the batteries as shown.
- Install the battery cover.



**CAUTION:** Never remove the transmitter batteries while the model is powered ON. Loss of model control, damage, or injury may occur.

**CAUTION:** If using rechargeable batteries, charge only rechargeable batteries. Charging non-rechargeable batteries may cause the batteries to burst, resulting in injury to persons and/or damage to property.

**CAUTION:** Risk of explosion if battery is replaced by an incorrect type. Dispose of used batteries according to national regulations.

## BEFORE RUNNING YOUR VEHICLE

- Check for free suspension movement. All suspension arms and steering components should move freely. Any binds will cause the vehicle to handle poorly.
- Charge a battery pack. Always charge the battery pack as per the battery and/or charger manufacturers' instructions.
- Set the transmitter steering trim. Follow the instructions to set the steering trim/subtrim so that the vehicle drives straight with no input to the steering.
- Perform a Control Direction Test.

## DRIVING PRECAUTIONS

- Maintain sight of the vehicle at all times.
- Routinely inspect the vehicle for loose wheel hardware.
- Routinely inspect the steering assembly for any loose hardware. Driving the vehicle off-road can cause fasteners to loosen over time.
- Do not drive the vehicle in tall grass. Doing so can damage the vehicle or electronics.
- Stop driving the vehicle when you notice a lack of power. Driving the vehicle when the battery is discharged can cause the receiver to power off. If the receiver loses power, you will lose control of the vehicle. Damage due to an over-discharged Li-Po battery is not covered under warranty.

**CAUTION:** Do not discharge a Li-Po battery below 3V per cell. Batteries discharged to a voltage lower than the lowest approved voltage may become damaged, resulting in loss of performance and potential fire when batteries are charged.

- Do not apply forward or reverse throttle if the vehicle is stuck. Applying throttle in this instance can damage the motor or ESC.
- After driving the vehicle, allow the electronics to cool before driving the vehicle again.

**IMPORTANT:** Keep wires away from all moving parts.

## ELECTRONIC SPEED CONTROL (ESC)

### CONNECTING

1. Connect the ESC EC3 Connector to the EC3 Battery Connector

### CALIBRATING

Ensure proper ESC function by calibrating the ESC to your transmitter inputs.

1. Power OFF the ESC.
2. Ensure your transmitter is powered ON, the throttle is not reversed, the throttle trim is neutral and the throttle travel range is at 100%.
3. Keep the throttle at neutral and power ON the ESC.
4. The ESC automatically calibrates the throttle range after 3 seconds.
5. One long beep will sound when the ESC is ready to run.

### PROGRAMMING

The ESC comes with a jumper pre-installed in the position for NiMH batteries.

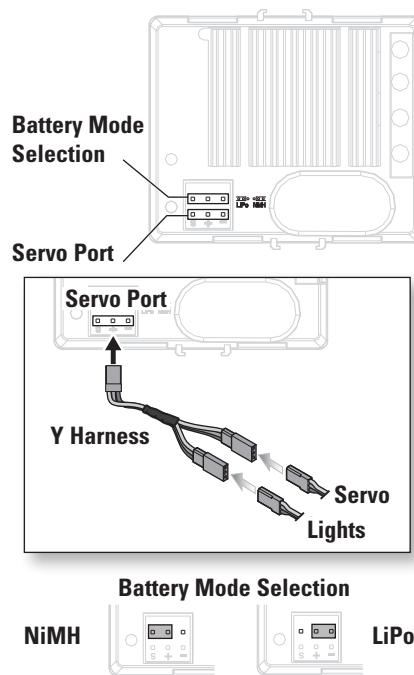
To change the battery type:

1. Power OFF the ESC.
2. Disconnect the jumper from the default port and connect it to the desired port.
3. Power ON the ESC.

If the jumper are lost or not installed, the ESC will default to Ni-MH.

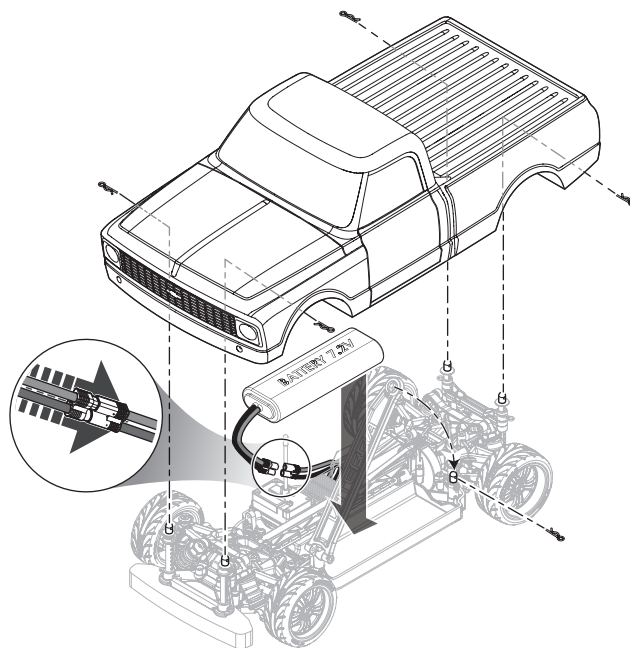
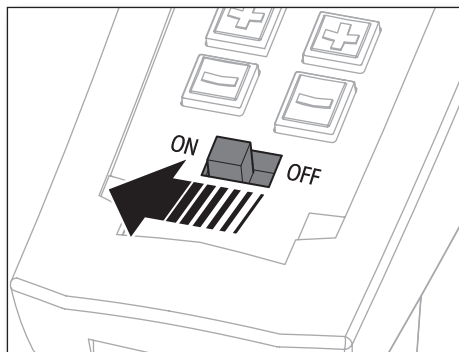
**WARNING:** Do not connect bind plugs or receiver servo leads into the ESC programming port. Doing so may damage the ESC and/or components.

**NOTICE:** Always disconnect the battery from the ESC when you have finished operating your vehicle. The ESC's switch only controls power to the receiver and servos. The ESC will continue to draw current when connected to the battery, resulting in possible damage to the battery through over-discharge.



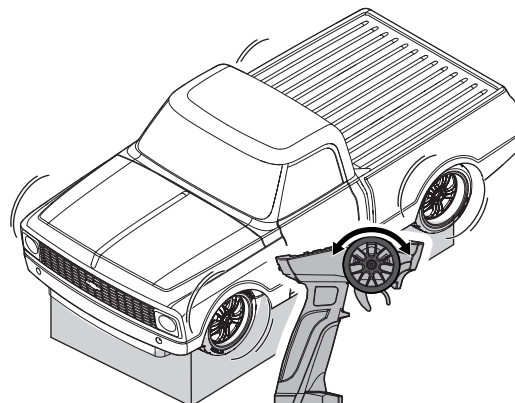
## POWERING ON THE VEHICLE

1. Power on the transmitter.
2. Remove the body from the vehicle.
3. Connect a fully charged battery pack to the ESC.
4. Power on the ESC.



## PERFORMING A CONTROL DIRECTION TEST

Perform a control test with the vehicle wheels off the ground. If the wheels rotate after the vehicle is powered ON, adjust the throttle trim until they stop. To make the wheels move forward, pull the trigger. To reverse them, wait for the wheels to stop, then push the trigger. When moving forward, the wheels should maintain a straight line without any steering wheel input. If not, adjust the steering trim, so the wheels maintain a straight line without having to turn the steering wheel.



## RUN TIME

The largest factor in run time is the capacity of the battery pack. A larger mAh rating increases the amount of run time experienced.

The condition of a battery pack is also an important factor in both run time and speed. The battery connectors may become hot during driving. Batteries will lose performance and capacity over time.

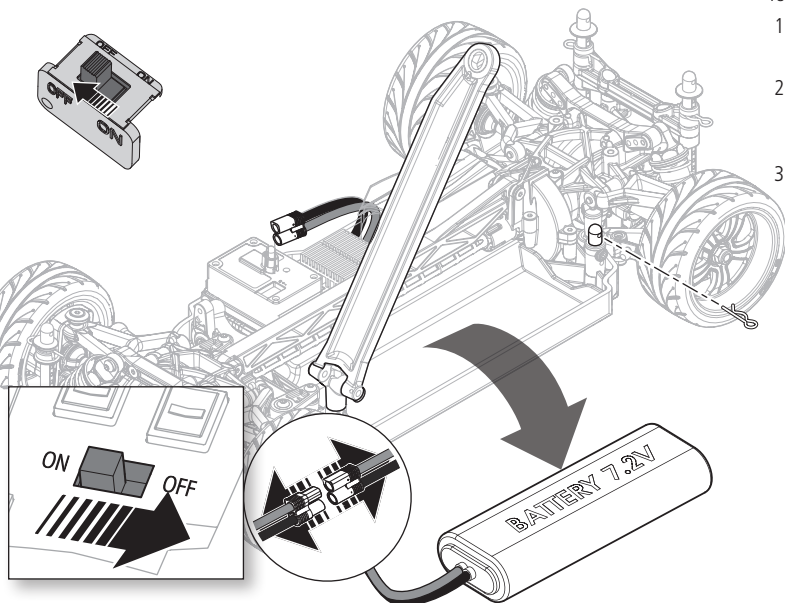
Driving the vehicle from a stop to full speed repeatedly will damage the batteries and electronics over time. Sudden acceleration will also lead to shorter run times.

## TO IMPROVE RUN TIMES

- Keep your vehicle clean and well maintained.
- Allow more airflow to the ESC and motor.
- Change the gearing to a lower ratio. A lower ratio decreases the operating temperature of the electronics. Use a smaller pinion gear or larger spur gear to lower the gear ratio.
- Use a battery pack with a higher mAh rating.
- Use the optimum charger to charge battery packs. (Visit your local hobby dealer for more information.)

## WHEN YOU ARE FINISHED

1. Power OFF the vehicle.
2. Power OFF the Transmitter.
3. Remove the Battery from the vehicle. NiMH batteries should be stored fully discharged, LiPo batteries should be stored approximately half charged.



## BINDING

Binding is the process of programming the receiver to recognize the GUID (Globally Unique Identifier) code of a single specific transmitter. **The transmitter and receiver are bound at the factory.** If you need to rebind, follow the instructions below:

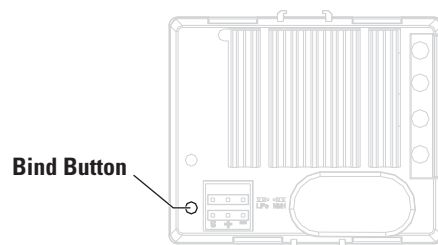
1. Connect a fully charged battery to the receiver.
2. Power on the receiver. The receiver LED flashes, indicating the receiver is in bind mode.
3. Insert a small tool to press the BIND Button of the receiver and remove it immediately.

4. Power ON the transmitter. The receiver LED goes solid.
5. Power OFF the receiver to save the settings.
6. Power OFF the transmitter.

You must rebind when:

- When you want different failsafe positions (e.g. when throttle or steering reverse has been changed).
- Binding the receiver to a different transmitter.

**NOTICE:** Do not attempt to bind the transmitter and receiver if there are other compatible transmitters in bind mode within 400 feet. Doing so may result in unexpected binding.



## TROUBLESHOOTING GUIDE

PROBLEM	POSSIBLE CAUSE	SOLUTION
Vehicle does not operate	Battery not charged or plugged in	Charge battery/plug in
	ESC switch not "On"	Turn on ESC switch
	Transmitter not "On" or low battery	Turn on/replace batteries
Motor runs but wheels do not rotate	Pinion not meshing with spur gear	Adjust pinion/spur mesh
	Pinion spinning on motor shaft	Tighten pinion gear setscrew on motor shaft flat spot
	Transmission gears stripped	Replace transmission gears
	Drive pin broken	Check and replace drive pin
Steering does not work	Servo plug not in receiver properly	Make sure the steering servo plug is connected to the receiver steering channel, noting proper polarity
	Servo gears or motor damaged	Replace or repair servo
Will not turn one direction	Servo gears damaged	Replace or repair servo
Motor does not run	Motor wire solder joint is damaged	Resolder the motor wire with the proper equipment
	Motor wire broken	Repair or replace as needed
	ESC damaged	Contact Horizon Hobby Product Support
ESC gets hot	Motor over-gear	Use smaller pinion or larger spur gear
	Driveline bound up	Check wheels and transmission for binding
Poor run time and/or sluggish acceleration	Battery pack not fully charged	Recharge battery
	Charger not allowing full charge	Try another charger
	Driveline bound up	Check wheels, transmission for binding
Poor range and/or glitching	Transmitter batteries low	Check and replace
	Vehicle battery low	Recharge battery
	Loose plugs or wires	Check all wire connections and plugs

## REPLACEMENT PARTS

Part #	
HRZ00003	2-in-1 ESC/Rx: 1/10 45A
LOS230006	Body Post, Battery Strap: V100
LOS230094	72 Chevy C10 Pickup Bdy St Org
LOS230101	72ChevyC10PickupBdyStBlackV100
LOS230102	72ChevyC10PickupBdyStClearV100
LOS231066	SteeringBellcrnk,SrvSvr&Mnt:V100
LOS231070	FR/RR Bumper Set: V100
LOS231071	Antenna Mount Set: V100
LOS231072	Spnsn Arm Mnt, Gearbox St: V100
LOS231073	Center Driveshaft: V100
LOS232052	Spur Gear, 65/71/77T, 48P: V100
LOS232056	MetalBevelGear&Pinion: 100
LOS232058	Axle Shaft Set FR/RR (2): V100
LOS232059	DiffRing/Pinion32T/12TFR/RR:V100
LOS232061	CntrDiffJnt,OutdrvCup,FR/RR:V100
LOS232062	BevelGearShaftFR/RR&Pins:V100
LOS232064	Diff Housing and Spacers: V100
LOS232065	Complete Diff Set FR/RR: V100
LOS232066	Chassis,GearCvr,HtShieldSt:V100
LOS232067	WhlHexBrkRtr&CaliperFR/RRSt:V10
LOS232068	Locked Rear Differential: V100
LOS233029	Shock Body St, Tower FR/RR: V100
LOS234039	SpnsnPivotBalls&WasherSet:V100
LOS234040	SpnsnArmSetFR/RRUpper&Lower:V10
LOS234041	FR/RR Upright Set, LH/RH: V100
LOS235003	Cap Head Screws M3 x 6mm (10)
LOS235004	Cap Head Screws M3 x 25mm (10)
LOS235015	Locknut Flanged M5 Serrated (10)
LOS235024	Button Head Screws M3x25mm (10)
LOS235030	Cap Head Screws, M3 x 18mm (10)
LOS235031	Cap Head Screws, M2 x 12mm (10)
LOS235032	Cap Head Screws, M2 x 16mm (10)
LOS235033	Cap Head Screws, M2 x 20mm (10)
LOS235034	Cap Head Screws, M3 x 28mm (10)
LOS235178	Flat Head Screws, M3 x 14mm (10)
LOS235222	Cap Screw M2.8x10mm Self-Tap(10)
LOS235223	Cap Screw M2.8x14mm Self-Tap(10)
LOS235225	Inner/OuterHingePinScrewSet:V100
LOS235330	Set Screw Cup Point M3x30mm (10)
LOS235347	Set Screw Cup Point M4x10mm (10)
LOS236004	Ball Stud, 4.8mmx12mm(10): V100
LOS236170	Steering King Pin Set (4): V100
LOS237003	8 x 12 x 3.5mm Ball Bearings (2)
LOS4122	48 Pitch Pinion Gear,22T
LOS43038	MntdFR5-SpkWhl/Tire54x26Chrm(2)
LOS43039	MntdRR5-SpkWhl/Tire54x30Chrm(2)
LOSA6940	6x12x4mm Sealed Ball Bearing (4)
LOSA6946	6x10x3 Rubber Sealed BB (4)
LOSA6956	12 x 18 x 4mm Ball Bearing (2)
TLR235006	Button Head Screws M2.5x8mm (10)
TLR235008	Flat Head Screws, M3 x 6mm (10)
TLR235012	Set Screw, M3 x 20mm (8)
TLR236009	Blk Alum Flanged Nut, M4x7mm (4)
TLR245007	Body Clips, Small (12)
TLR245011	Button Head Screws, M2x6mm (10)
TLR245012	Button Head Screws, M2.5x4mm(10)
TLR5901	Button Hd Screws, M3 x 6mm (10)
TLR5910	Button Head Screws M3 x 14mm(10)
TLR5930	Cap Head Screws, M3 x 8mm (10)
TLR5962	Flathead Screws, M3 x 10mm (10)
TLR6289	Set Screw, M3 x 5mm (10)
TLR6313	Locknut, M3 x .5 x 5.5mm (10)
TLR6932	5x10x4mm HD Bearings (2)
LOS13003	LED Light Set, '72 Chevy C10: V100

## RECOMMENDED PARTS

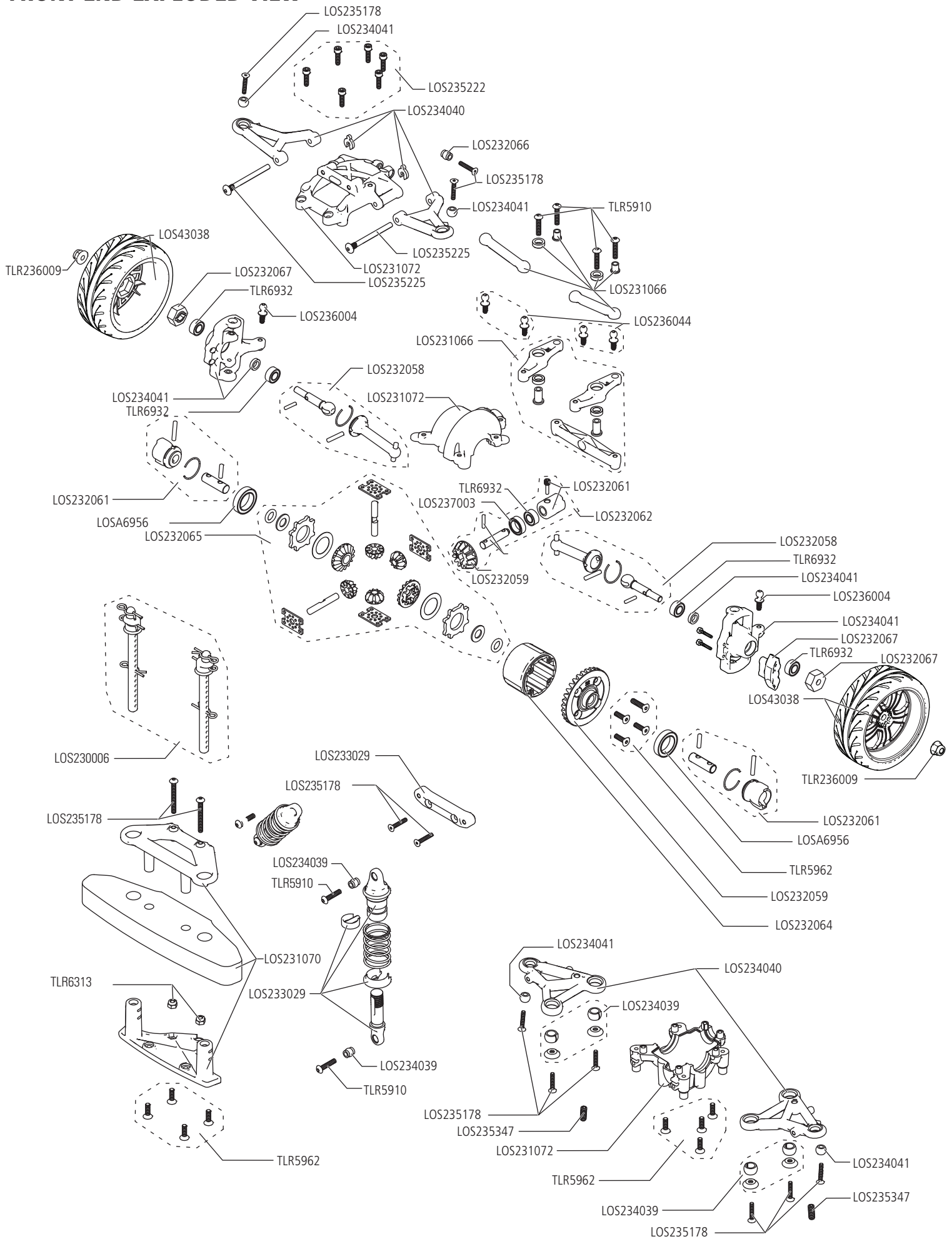
Part #	
DYNB2050EC	7.2V 1800MAH 6CNiMH FLAT EC3
DYNB2070EC	7.2V 3300MAH 6CNiMH FLAT EC3
DYNC2030	Prophet Sport Mini 50W Charger

## OPTIONAL PARTS

Part #	
LOS43035	WhlFRVolkRcngCE28N54x26GunMtl(2)
LOS43036	WhlRRVolkRcngCE28N54x30GunMtl(2)
LOS43042	Tire67x26V1PrfrmncSCmpnd(2):V10
LOS43043	Tire67x30V1PrfrmncSCmpnd(2):V10

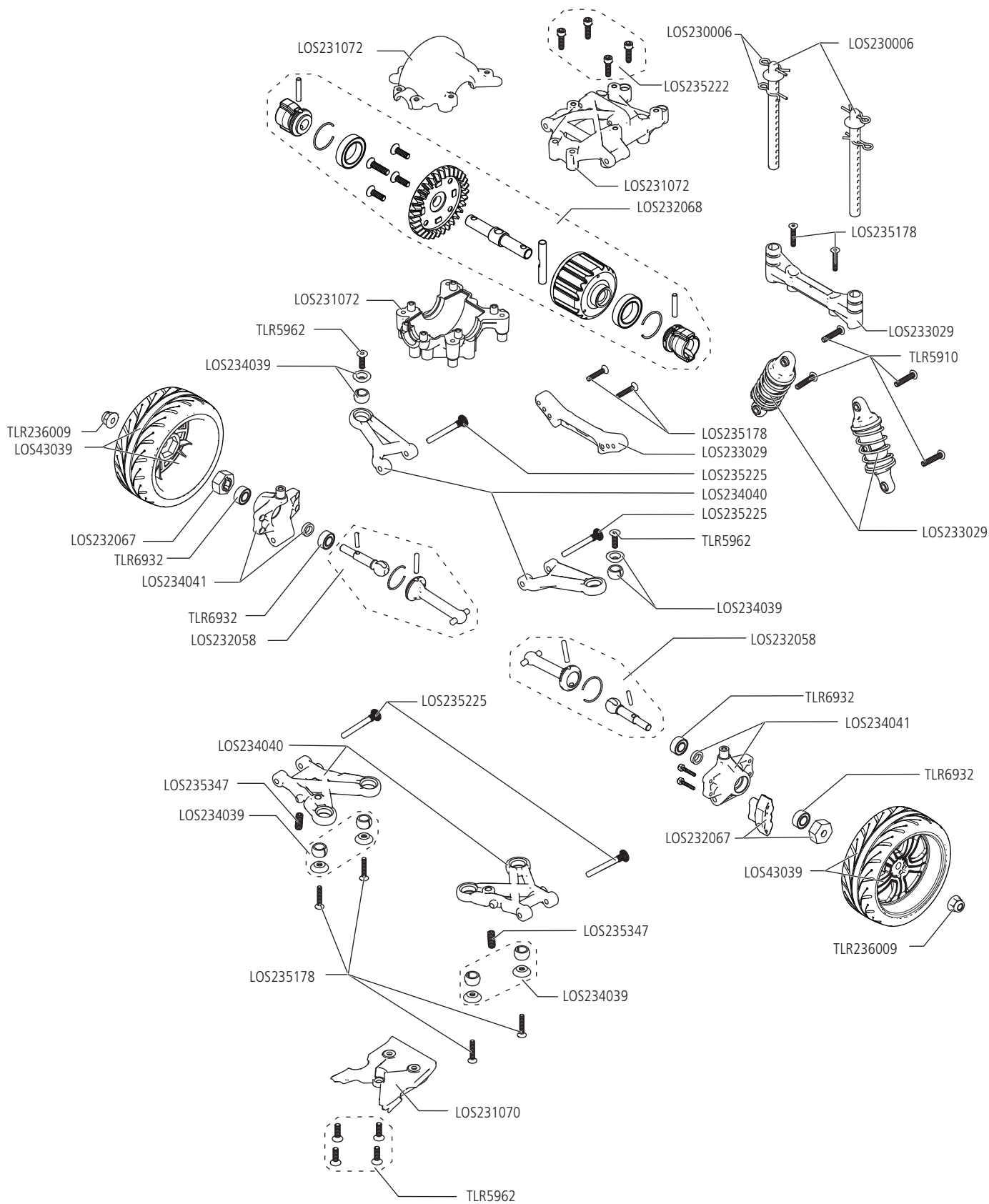


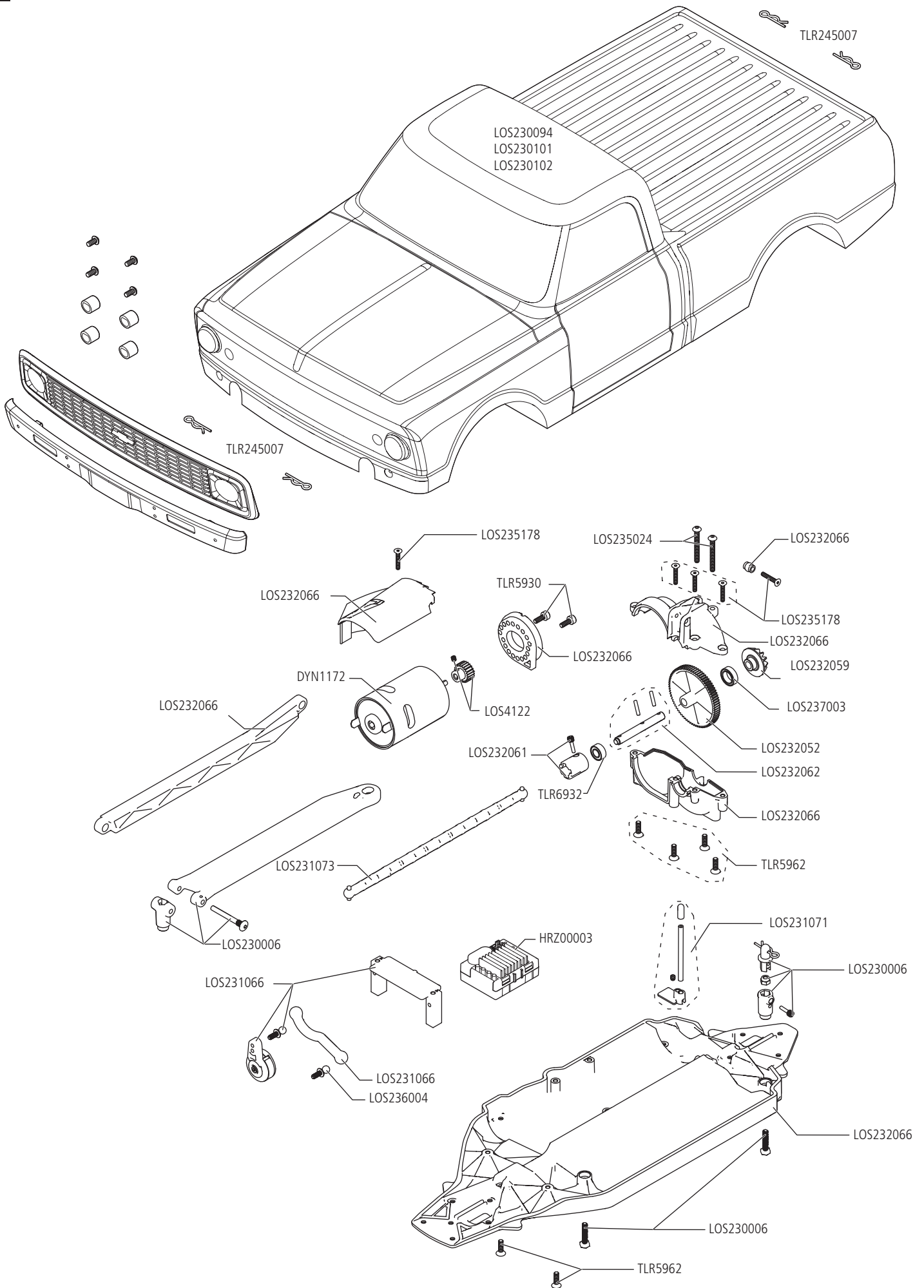
# FRONT END EXPLODED VIEW





# REAR END EXPLODED VIEW





## LIMITED WARRANTY

### What this Warranty Covers

Horizon Hobby, LLC, (Horizon) warrants to the original purchaser that the product purchased (the "Product") will be free from defects in materials and workmanship for a period of 2 years from the date of purchase.

### What is Not Covered

This warranty is not transferable and does not cover (i) cosmetic damage, (ii) damage due to acts of God, accident, misuse, abuse, negligence, commercial use, or due to improper use, installation, operation or maintenance, (iii) modification of or to any part of the Product, (iv) attempted service by anyone other than a Horizon Hobby authorized service center, (v) Product not purchased from an authorized Horizon dealer, or (vi) Product not compliant with applicable technical regulations or (vii) use that violates any applicable laws, rules, or regulations.

OTHER THAN THE EXPRESS WARRANTY ABOVE, HORIZON MAKES NO OTHER WARRANTY OR REPRESENTATION, AND HEREBY DISCLAIMS ANY AND ALL IMPLIED WARRANTIES, INCLUDING, WITHOUT LIMITATION, THE IMPLIED WARRANTIES OF NON-INFRINGEMENT, MERCHANTABILITY AND FITNESS FOR A PARTICULAR PURPOSE. THE PURCHASER ACKNOWLEDGES THAT THEY ALONE HAVE DETERMINED THAT THE PRODUCT WILL SUITABLY MEET THE REQUIREMENTS OF THE PURCHASER'S INTENDED USE.

### Purchaser's Remedy

Horizon's sole obligation and purchaser's sole and exclusive remedy shall be that Horizon will, at its option, either (i) service, or (ii) replace, any Product determined by Horizon to be defective. Horizon reserves the right to inspect any and all Product(s) involved in a warranty claim. Service or replacement decisions are at the sole discretion of Horizon. Proof of purchase is required for all warranty claims. SERVICE OR REPLACEMENT AS PROVIDED UNDER THIS WARRANTY IS THE PURCHASER'S SOLE AND EXCLUSIVE REMEDY.

### Limitation of Liability

HORIZON SHALL NOT BE LIABLE FOR SPECIAL, INDIRECT, INCIDENTAL OR CONSEQUENTIAL DAMAGES, LOSS OF PROFITS OR PRODUCTION OR COMMERCIAL LOSS IN ANY WAY, REGARDLESS OF WHETHER SUCH CLAIM IS BASED IN CONTRACT, WARRANTY, TORT, NEGLIGENCE, STRICT LIABILITY OR ANY OTHER THEORY OF LIABILITY, EVEN IF HORIZON HAS BEEN ADVISED OF THE POSSIBILITY OF SUCH DAMAGES. Further, in no event shall the liability of Horizon exceed the individual price of the Product on which liability is asserted. As Horizon has no control over use, setup, final assembly, modification or misuse, no liability shall be assumed nor accepted for any resulting damage or injury. By the act of use, setup or assembly, the user accepts all resulting liability. If you as the purchaser or user are not prepared to accept the liability associated with the use of the Product, purchaser is advised to return the Product immediately in new and unused condition to the place of purchase.

### Law

These terms are governed by Illinois law (without regard to conflict of law principals). This warranty gives you specific legal rights, and you may also have other rights which vary from state to state. Horizon reserves the right to change or modify this warranty at any time without notice.

## WARRANTY SERVICES

### Questions, Assistance, and Services

Your local hobby store and/or place of purchase cannot provide warranty support or service. Once assembly, setup or use of the Product has been started, you must contact your local

distributor or Horizon directly. This will enable Horizon to better answer your questions and service you in the event that you may need any assistance. For questions or assistance, please visit our website at [www.horizonhobby.com](http://www.horizonhobby.com), submit a Product Support Inquiry, or call the toll free telephone number referenced in the Warranty and Service Contact Information section to speak with a Product Support representative.

### Inspection or Services

If this Product needs to be inspected or serviced and is compliant in the country you live and use the Product in, please use the Horizon Online Service Request submission process found on our website or call Horizon to obtain a Return Merchandise Authorization (RMA) number. Pack the Product securely using a shipping carton. Please note that original boxes may be included, but are not designed to withstand the rigors of shipping without additional protection. Ship via a carrier that provides tracking and insurance for lost or damaged parcels, as Horizon is not responsible for merchandise until it arrives and is accepted at our facility. An Online Service Request is available at [http://www.horizonhobby.com/content/\\_service-center\\_render-service-center](http://www.horizonhobby.com/content/_service-center_render-service-center). If you do not have internet access, please contact Horizon Product Support to obtain a RMA number along with instructions for submitting your product for service. When calling Horizon, you will be asked to provide your complete name, street address, email address and phone number where you can be reached during business hours. When sending product into Horizon, please include your RMA number, a list of the included items, and a brief summary of the problem. A copy of your original sales receipt must be included for warranty consideration. Be sure your name, address, and RMA number are clearly written on the outside of the shipping carton.

**NOTICE: Do not ship Li-Po batteries to Horizon. If you have any issue with a Li-Po battery, please contact the appropriate Horizon Product Support office.**

### Warranty Requirements

**For Warranty consideration, you must include your original sales receipt verifying the proof-of-purchase date.** Provided warranty conditions have been met, your Product will be serviced or replaced free of charge. Service or replacement decisions are at the sole discretion of Horizon.

### Non-Warranty Service

**Should your service not be covered by warranty, service will be completed and payment will be required without notification or estimate of the expense unless the expense exceeds 50% of the retail purchase cost.** By submitting the item for service you are agreeing to payment of the service without notification. Service estimates are available upon request. You must include this request with your item submitted for service. Non-warranty service estimates will be billed a minimum of ½ hour of labor. In addition you will be billed for return freight. Horizon accepts money orders and cashier's checks, as well as Visa, MasterCard, American Express, and Discover cards. By submitting any item to Horizon for service, you are agreeing to Horizon's Terms and Conditions found on our website [http://www.horizonhobby.com/content/service-center\\_render-service-center](http://www.horizonhobby.com/content/service-center_render-service-center).

**ATTENTION: Horizon service is limited to Product compliant in the country of use and ownership. If received, a non-compliant Product will not be serviced. Further, the sender will be responsible for arranging return shipment of the un-serviced Product, through a carrier of the sender's choice and at the sender's expense. Horizon will hold non-compliant Product for a period of 60 days from notification, after which it will be discarded.**



## WARRANTY AND SERVICE CONTACT INFORMATION

Country of Purchase	Horizon Hobby	Contact Information	Address
United States of America	Horizon Service Center (Repairs and Repair Requests)	servicecenter.horizonhobby.com/RequestForm/	2904 Research Road Champaign, Illinois 61822 USA*
	Horizon Product Support (Product Technical Assistance)	productsupport@horizonhobby.com 877-504-0233	
	Sales	websales@horizonhobby.com 800-338-4639	
European Union	Horizon Technischer Service	service@horizonhobby.de +49 (0) 4121 2655 100	Hanskampring 9 D 22885 Barsbüttel, Germany
	Sales: Horizon Hobby GmbH		

\*For the most up-to-date customer service contact information, please visit: [www.horizonhobby.com/content/service-center-render-service-center](http://www.horizonhobby.com/content/service-center-render-service-center)

## FCC STATEMENT

### Supplier's Declaration of Conformity

**LOS03034T1/LOS03034T2 FCC ID: 2ARE7-91803**

**V100 Chevy '72 C10: 1/10 4WD RTR (LOS03034T1/LOS03034T2)**

This equipment complies with FCC and IC radiation exposure limits set forth for an uncontrolled environment. This equipment should be installed and operated with minimum distance 20cm between the radiator and/or antenna and your body (excluding fingers, hands, wrists, ankles and feet). This transmitter must not be co-located or operating in conjunction with any other antenna or transmitter.

**FCC** This device complies with part 15 of the FCC Rules. Operation is subject to the following two conditions: (1) This device may not cause harmful interference, and (2) this device must accept any interference received, including interference that may cause undesired operation.



**CAUTION:** Changes or modifications not expressly approved by the party responsible for compliance could void the user's authority to operate the equipment.

**NOTE:** This equipment has been tested and found to comply with the limits for a Class B digital device, pursuant to part 15 of the FCC Rules. These limits are designed to provide reasonable protection against harmful interference in a residential installation. This equipment generates, uses and can radiate radio

frequency energy and, if not installed and used in accordance with the instructions, may cause harmful interference to radio communications. However, there is no guarantee that interference will not occur in a particular installation. If this equipment does cause harmful interference to radio or television reception, which can be determined by turning the equipment off and on, the user is encouraged to try to correct the interference by one or more of the following measures:

- Reorient or relocate the receiving antenna.
- Increase the separation between the equipment and receiver.
- Connect the equipment into an outlet on a circuit different from that to which the receiver is connected.
- Consult the dealer or an experienced radio/TV technician for help.

Horizon Hobby, LLC  
2904 Research Rd.,  
Champaign, IL 61822  
Email: [compliance@horizonhobby.com](mailto:compliance@horizonhobby.com)  
Web: [HorizonHobby.com](http://HorizonHobby.com)

## IC INFORMATION

**(LOS03034T1/LOS03034T2) IC ID: 20264-91803RX46**

This device contains license-exempt transmitter(s)/receiver(s) that comply with Innovation, Science, and Economic Development Canada's license-exempt RSS(s). Operation is subject to the following 2 conditions:

1. This device may not cause interference.
2. This device must accept any interference, including interference that may cause undesired operation of the device.

## COMPLIANCE INFORMATION FOR THE EUROPEAN UNION



**EU Compliance Statement:**

**V100 Chevy '72 C10: 1/10 4WD RTR**

**(LOS03034T1/LOS03034T2);** Hereby, Horizon Hobby, LLC declares that the device is in compliance with the following:

2014/53/EU EMC Directive;

RoHS 2 Directive 2011/65/EU;

RoHS 3 Directive - Amending 2011/65/EU Annex II 2015/863.

The full text of the EU declaration of conformity is available at the following internet address: <https://www.horizonhobby.com/content/support-render-compliance>.

**Horizon 3-Ch 2.4GHz Transmitter (HRZ00001)**

**Wireless Frequency Range and Wireless Output Power:**

2405 – 2478 MHz

8 dBm

**NOTE:** This product contains batteries that are covered under the 2006/66/EC European Directive, which cannot be disposed of with normal household waste. Please follow local regulations.

### EU Manufacturer of Record:

Horizon Hobby, LLC  
2904 Research Road  
Champaign, IL 61822 USA

### EU Importer of Record:

Horizon Hobby, GmbH  
Hanskampring 9  
22885 Barsbüttel Germany

### WEEE NOTICE:



This appliance is labeled in accordance with European Directive 2012/19/EU concerning waste of electrical and electronic equipment (WEEE). This label indicates that this product should not be disposed of with household waste. It should be deposited at an appropriate facility to enable recovery and recycling.



E328



**WWW.LOSI.COM**

©2021 Horizon Hobby, LLC.

Losi, SLT, DSMR, Dynamite, EC3, IC3, and the Horizon Hobby logo are trademarks or registered trademarks of Horizon Hobby, LLC. The Spektrum trademark is used with permission of Bachmann Industries, Inc. General Motors Trademarks are used under license to Horizon Hobby, LLC. All other trademarks, service marks and logos are property of their respective owners.

US 9,320,977. US 10,528,060. US 9,930,567. US 10,419,970. US 10,849,013. Other patents pending.

Created 07/21

128450

LOS03034T1/T2