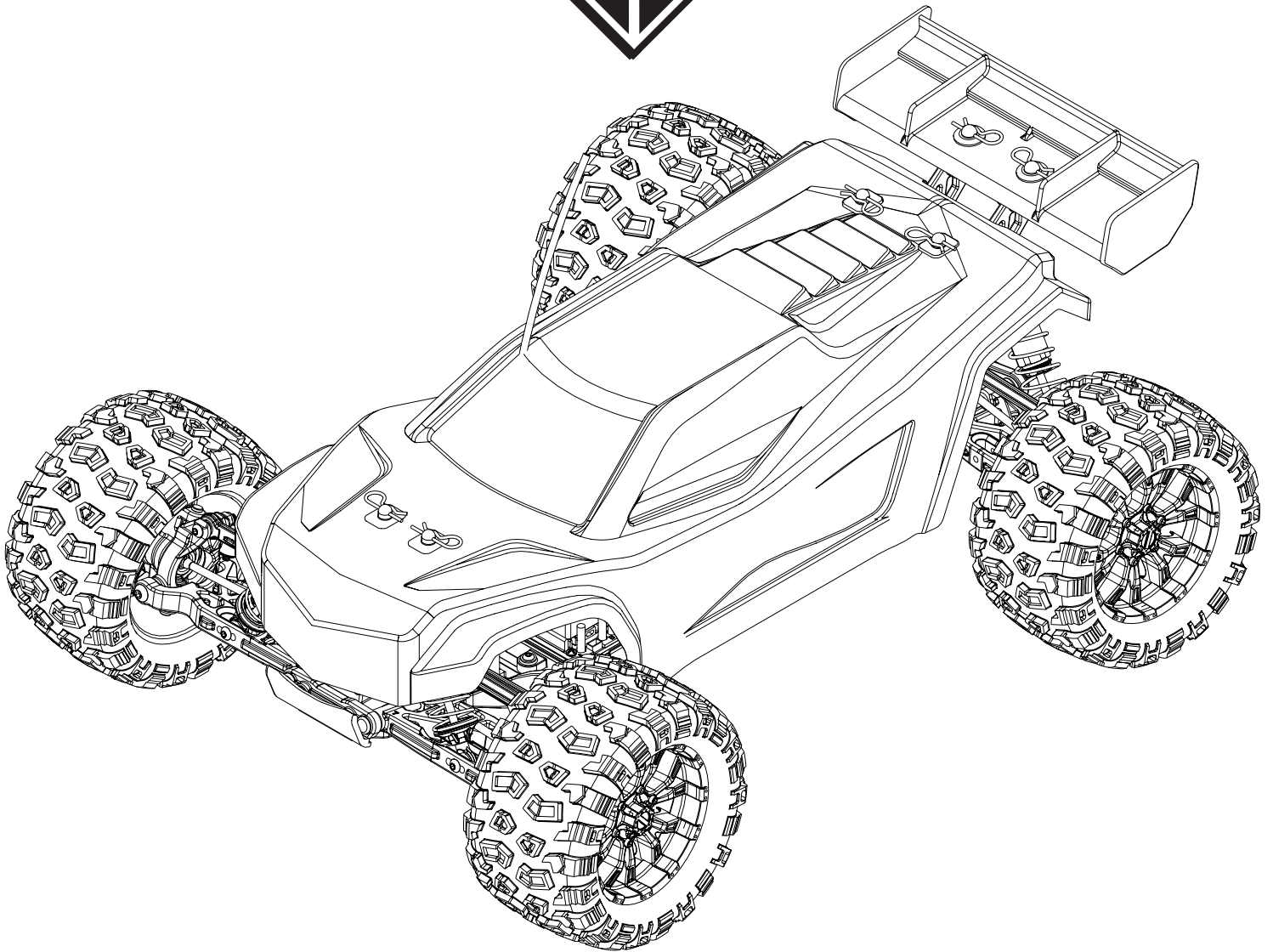


**RTR**  
READY-TO-RUN

AVC® U.S. Pat. No. 9,320,977



**INSTRUCTION MANUAL**  
**BEDIENUNGSANLEITUNG**  
**MANUEL D'UTILISATION**  
**MANUALE DI ISTRUZIONI**



Before operating this vehicle, please read all printed materials thoroughly.  
Horizon Hobby is not responsible for inadvertent errors in this manual.

## NOTICE

All instructions, warranties and other collateral documents are subject to change at the sole discretion of Horizon Hobby, LLC. For up-to-date product literature, visit [horizonhobby.com](http://horizonhobby.com) and click on the support tab for this product.

## MEANING OF SPECIAL LANGUAGE

The following terms are used throughout the product literature to indicate various levels of potential harm when operating this product:

**NOTICE:** Procedures, which if not properly followed, create a possibility of physical property damage AND a little or no possibility of injury.

**CAUTION:** Procedures, which if not properly followed, create the probability of physical property damage AND a possibility of serious injury.

**WARNING:** Procedures, which if not properly followed, create the probability of property damage, collateral damage, and serious injury OR create a high probability of superficial injury.

**WARNING:** Read the ENTIRE instruction manual to become familiar with the features of the product before operating. Failure to operate the product correctly can result in damage to the product, personal property and cause serious injury.

This is a sophisticated hobby product. It must be operated with caution and common sense and requires some basic mechanical ability. Failure to operate this Product in a safe and responsible manner could result in injury or damage to the product or other property. This product is not intended for use by children without direct adult supervision. Do not use with incompatible components or alter this product in any way outside of the instructions provided by Horizon Hobby, LLC. This manual contains instructions for safety, operation and maintenance. It is essential to read and follow all the instructions and warnings in the manual, prior to assembly, setup or use, in order to operate correctly and avoid damage or serious injury.

**WARNING AGAINST COUNTERFEIT PRODUCTS** Always purchase from a Horizon Hobby, LLC authorized dealer to ensure authentic high-quality Spektrum product. Horizon Hobby, LLC disclaims all support and warranty with regards, but not limited to, compatibility and performance of counterfeit products or products claiming compatibility with DSM or Spektrum.

**Age Recommendation: Not for children under 14 years. This is not a toy.**

## SAFETY PRECAUTIONS AND WARNINGS

As the user of this product, you are solely responsible for operating in a manner that does not endanger yourself and others or result in damage to the product or property of others.

This model is controlled by a radio signal subject to interference from many sources outside your control. This interference can cause momentary loss of control, so it is advisable to always keep a safe distance in all directions around your model as this margin will help avoid collisions or injury.

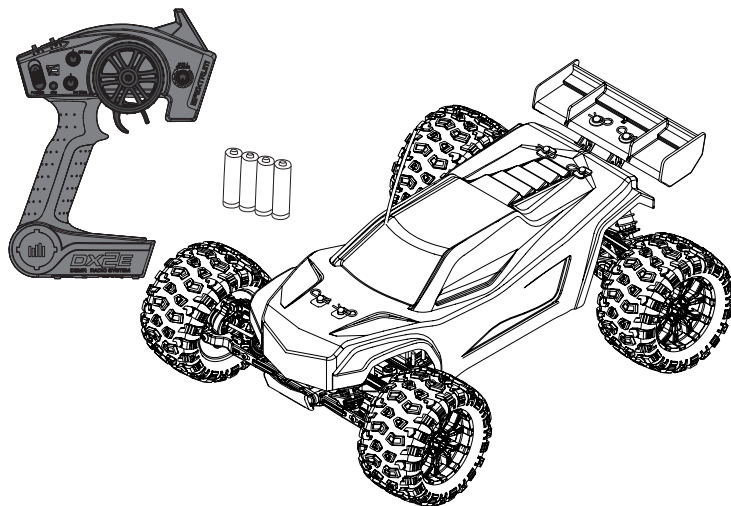
- Never operate your model with low transmitter batteries.
- Always operate your model in open spaces away from full-size vehicles, traffic and people.
- Never operate the model in the street or in populated areas for any reason.
- Carefully follow the directions and warnings for this and any optional support equipment (chargers, rechargeable battery packs, etc.) you use.
- Keep all chemicals, small parts and anything electrical out of the reach of children.

- Never lick or place any portion of the model in your mouth as it could cause serious injury or even death.
- Exercise caution when using tools and sharp instruments.
- Take care during maintenance as some parts may have sharp edges.
- Immediately after using your model, do NOT touch equipment such as the motor, electronic speed control and battery, because they generate high temperatures. You may burn yourself seriously touching them.
- Do not put fingers or any objects inside rotating and moving parts, as this may cause damage or serious injury.
- Always turn on your transmitter before you turn on the receiver in the car. Always turn off the receiver before turning your transmitter off.
- Keep the wheels of the model off the ground when checking the operation of the radio equipment.

## TABLE OF CONTENTS

CONTENTS .....	2
WATER-RESISTANT VEHICLE WITH WATERPROOF ELECTRONICS .....	3
QUICK START .....	3
CHARGING THE BATTERY .....	3
INSTALLING THE BATTERY .....	4
SPEKTRUM DX2E RADIO SYSTEM .....	4
SRS4201 AVC TECHNOLOGY RECEIVER .....	4
INSTALLING THE TRANSMITTER BATTERIES .....	4
SRS4201 STABILITY ASSIST RECEIVER .....	5
DRIVING PRECAUTIONS .....	5
POWERING ON THE VEHICLE .....	5
BEFORE RUNNING YOUR VEHICLE .....	5
AVC SENSITIVITY .....	5
DISABLING AVC .....	6
PERFORMING A CONTROL DIRECTION TEST .....	6
RUN TIME .....	6
CHANGING THE TRAVEL ADJUST SETTINGS .....	6
DYNAMITE FUZE 130A SENSORLESS BRUSHLESS ESC (DYN4955) .....	6
DYNAMITE FUZE 3800KV BRUSHLESS MOTOR (DYN51616) .....	8
TROUBLESHOOTING GUIDE .....	8
LIMITED WARRANTY .....	9
FCC INFORMATION .....	10
IC INFORMATION .....	10
WARRANTY AND SERVICE CONTACT INFORMATION .....	10
COMPLIANCE INFORMATION FOR THE EUROPEAN UNION .....	10
REPLACEMENT PARTS .....	36–37
OPTIONAL PARTS .....	37
EXPLODED VIEWS .....	38–41

## CONTENTS



## REGISTER YOUR LOSI PRODUCT ONLINE

Register your vehicle now and be the first to find out about the latest option parts, product updates and more. Click on the Support tab at [WWW.LOSI.COM](http://WWW.LOSI.COM) and follow the product registration link to stay connected.

## COMPONENTS

- Losi® TEN-MT RTR with AVC® technology: 1/10-Scale 4WD Monster Truck (LOS03006 T1/T2)
- Spektrum™ DX2E 2.4GHz Transmitter (SPM2330)
- Spektrum™ 4-Channel DSMR® AVC Surface Receiver (SPMSRS4201)
- Spektrum™ 9KG 23T Waterproof Servo (SPMS605)
- Dynamite® Fuze™ 130A Sensorless Brushless Waterproof ESC (DYN4955)
- Dynamite® Fuze™ 550 Brushless Motor 3800Kv (DYN51616)
- 4 AA batteries (for transmitter)

## WATER-RESISTANT VEHICLE WITH WATERPROOF ELECTRONICS

Your new Horizon Hobby vehicle has been designed and built with a combination of waterproof and water-resistant components to allow you to operate the product in many "wet conditions," including puddles, creeks, wet grass, snow and even rain.

While the entire vehicle is highly water-resistant, it is not completely waterproof and your vehicle should NOT be treated like a submarine. The various electronic components used in the vehicle, such as the Electronic Speed Control (ESC), servo(s) and receiver are waterproof, however, most of the mechanical components are water-resistant and should not be submerged.

Metal parts, including the bearings, hinge pins, screws and nuts, as well as the contacts in the electrical cables, will be susceptible to corrosion if additional maintenance is not performed after running in wet conditions. To maximize the long-term performance of your vehicle and to keep the warranty intact, the procedures described in the "Wet Conditions Maintenance" section below must be performed regularly if you choose to run in wet conditions. If you are not willing to perform the additional care and maintenance required, then you should not operate the vehicle in those conditions.



**CAUTION:** Failure to exercise caution while using this product and complying with the following precautions could result in product malfunction and/or void the warranty.

### GENERAL PRECAUTIONS

- Read through the wet conditions maintenance procedures and make sure that you have all the tools you will need to properly maintain your vehicle.
- Not all batteries can be used in wet conditions. Consult the battery manufacturer before use. Caution should be taken when using Li-Po batteries in wet conditions.
- Most transmitters are not water-resistant. Consult your transmitter's manual or the manufacturer before operation.
- Never operate your transmitter or vehicle where lightning may be present.
- Do not operate your vehicle where it could come in contact with salt water (ocean water or water on salt-covered roads), contaminated or polluted water. Salt water is very conductive and highly corrosive, so use caution.
- Even minimal water contact can reduce the life of your motor if it has not been certified as water-resistant or waterproof. If the motor becomes excessively wet, apply very light throttle until the water is mostly removed from the motor. Running a wet motor at high speeds may rapidly damage the motor.

- Driving in wet conditions can reduce the life of the motor. The additional resistance of operating in water causes excess strain. Alter the gear ratio by using a smaller pinion or larger spur gear. This will increase torque (and motor life) when running in mud, deeper puddles, or any wet conditions that will increase the load on the motor for an extended period of time.

### WET CONDITIONS MAINTENANCE

- Drain any water that has collected in the tires by spinning them at high speed. With the body removed, place the vehicle upside down and pull full throttle for a few short bursts until the water has been removed.



**CAUTION:** Always keep hands, fingers, tools and any loose or hanging objects away from rotating parts when performing the above drying technique.

- Remove the battery pack(s) and dry the contacts. If you have an air compressor or a can of compressed air, blow out any water that may be inside the recessed connector housing.
- Remove the tires/wheels from the vehicle and gently rinse the mud and dirt off with a garden hose. Avoid rinsing the bearings and transmission.

**NOTICE:** Never use a pressure washer to clean your vehicle.

- Use an air compressor or a can of compressed air to dry the vehicle and help remove any water that may have gotten into small crevices or corners.
- Spray the bearings, drive train, fasteners and other metal parts with a water-displacing light oil. Do not spray the motor.
- Let the vehicle air dry before you store it. Water (and oil) may continue to drip for a few hours.
- Increase the frequency of disassembly, inspection and lubrication of the following:
  - Front and rear axle hub assembly bearings.
  - All transmission cases, gears and differentials.
  - Motor—clean with an aerosol motor cleaner and re-oil the bushings with lightweight motor oil.

## QUICK START

Please read the entire manual to gain a full understanding of the TEN-MT RTR vehicle, fine-tuning the setup and performing maintenance.

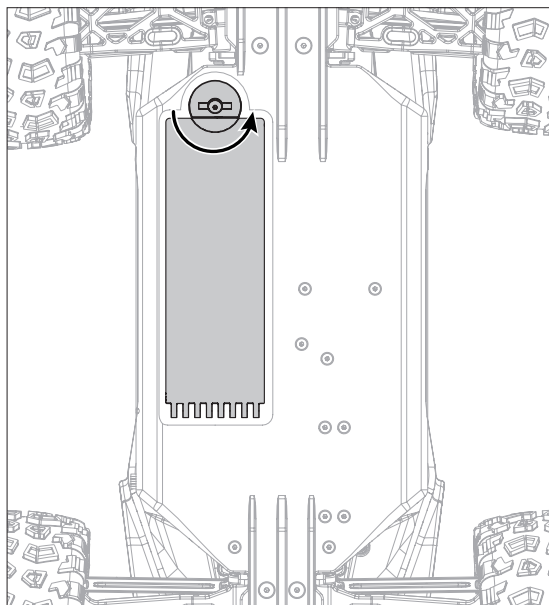
1. Read the safety precautions found in this manual.
2. Charge a battery for the vehicle. Refer to the included charging warnings and instructions for battery charging information.
3. Install the AA batteries in the transmitter. Only use alkaline or rechargeable batteries.
4. Install the fully charged battery in the vehicle.
5. Power ON the transmitter and then the vehicle. Wait 5 seconds for the ESC to initialize. Always power the transmitter ON before the vehicle and power it OFF after the vehicle has been powered OFF.
6. Check the steering and throttle control directions. Verify that the servos are moving in the correct direction.
7. Drive your vehicle.
8. Perform any necessary maintenance.

## CHARGING THE BATTERY

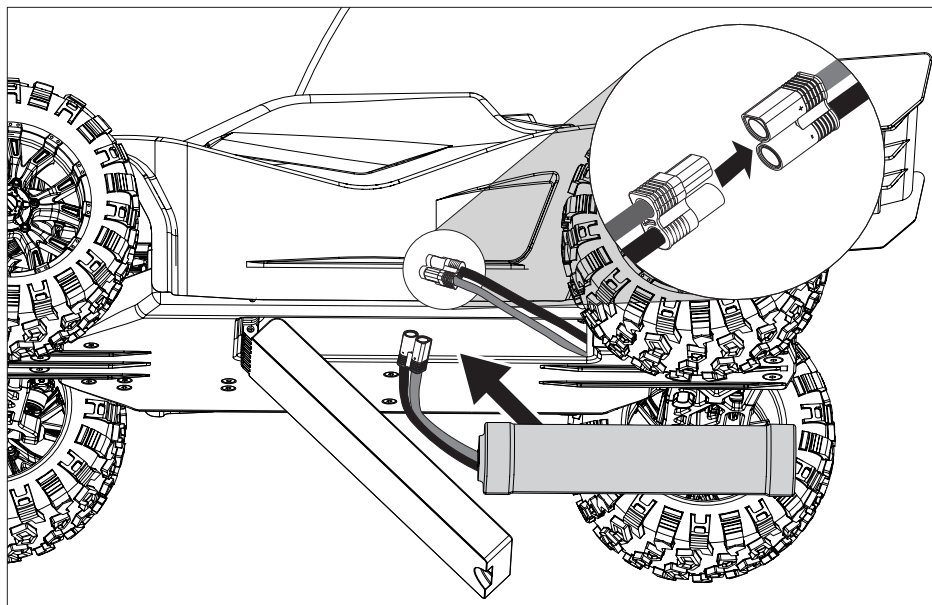
Choose a battery designed to work with the Dynamite® Fuze™ 130A Sensorless BL Waterproof ESC. We recommend the Dynamite® 7.4 5000mAh 2S 30C LiPo: Hardcase with EC3™ connector (DYN9005EC). Choose a charger designed to charge 2S Li-Po

batteries. We recommend the Dynamite® Prophet™ Sport Li-Po 35W AC Battery Charger (DYNC2005CA). Refer to your battery and charger manuals for usage, safety, and charging information.

## INSTALLING THE BATTERY



1. Ensure the ESC is powered OFF
2. Turn the vehicle over.
3. Turn knob to release the battery door.

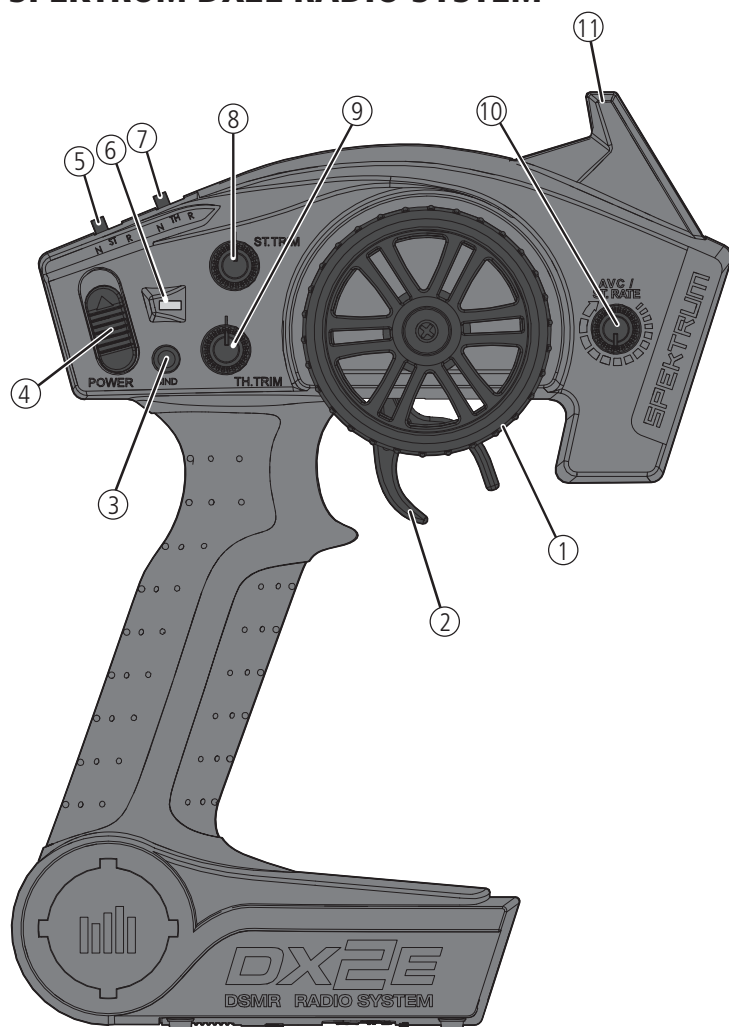


4. Install the fully charged battery in the vehicle.
5. Connect the battery to the ESC.
6. Close the battery door and twist the lock.

7. Power ON the transmitter, then the vehicle.

**IMPORTANT:** Secure the ESC wires so they do not interfere with the gearing.

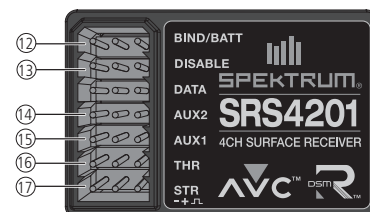
## SPEKTRUM DX2E RADIO SYSTEM



1. **Steering Wheel** Controls direction (left/right) of the model
2. **Throttle Trigger** Controls speed and direction (forward/brake/reverse) of the model
3. **BIND Button** Puts the transmitter into Bind Mode
4. **ON/OFF Switch** Turns the power ON/OFF for the transmitter
5. **ST. REV** Reverses the function of the steering when the wheel is turned left or right
6. **Indicator Lights**
  - Solid green light—indicates adequate battery power
  - Flashing green light—indicates the battery voltage is critically low. Replace batteries
7. **TH. REV** Reverses the function of the speed control when pulled back or pushed forward
8. **ST Trim** Adjusts the steering center point
9. **TH Trim** Adjusts the throttle neutral point
10. **ST Rate** Adjusts the sensitivity of AVC
11. **Antenna** Transmits the signal to the model

### SRS4201 AVC TECHNOLOGY RECEIVER

12. BIND
13. DISABLE
14. AUX 2
15. AUX 1
16. THR
17. STR



### INSTALLING THE TRANSMITTER BATTERIES

1. Push in the battery cover a small amount to release the retaining tab, then remove the cover.
2. Install 4 AA batteries, taking care to align the battery polarity to the diagram in the transmitter's battery case.
3. Carefully reinstall the battery cover by aligning the tabs with the slots on the transmitter.

**CAUTION:** If using rechargeable batteries, charge only rechargeable batteries. Charging non-rechargeable batteries may cause the batteries to burst, resulting in injury to persons and/or damage to property.

**CAUTION:** Risk of explosion if battery is replaced by an incorrect type. Dispose of used batteries according to national regulations.

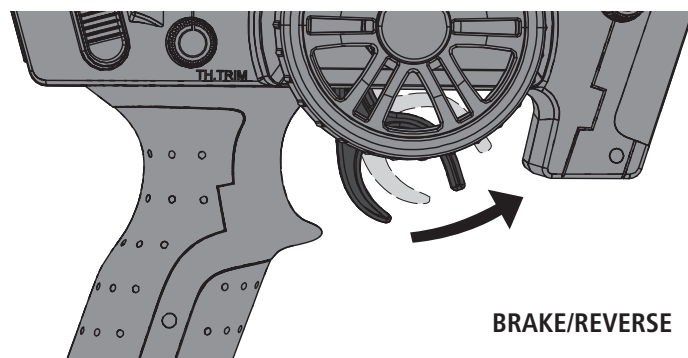
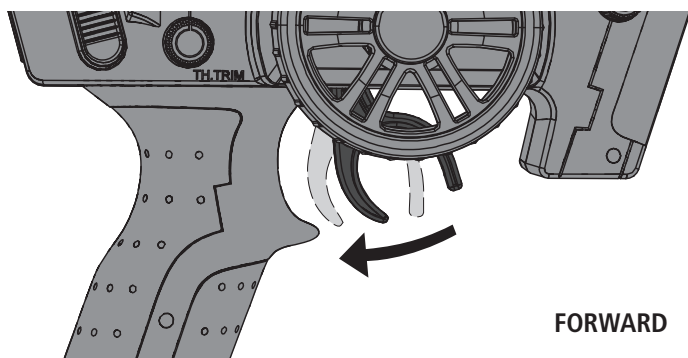
For more information on the transmitter, go to [www.horizonhobby.com](http://www.horizonhobby.com) and click on the support tab for the Spektrum DX2E to download the instruction manual.

## SRS4201 STABILITY ASSIST RECEIVER

### AVC® – ACTIVE VEHICLE CONTROL™

The Spektrum SRS4201 receiver features Active Vehicle Control™ (AVC®) technology that responds similar to traction control in full-scale vehicles. In addition to traction control, AVC technology also increases steering stability during high speed driving or while driving over rough terrain. As you increase the AVC sensitivity, the system increases steering stability and traction control, similar to reducing the amount of steering rate in a computer transmitter. Reducing the sensitivity value increases the amount of steering control from the transmitter. The SRS4201 receiver also enables you to quickly turn AVC on or off if you participate in organized racing.

**IMPORTANT:** You must use digital servos with the SRS4201 receiver. Do not use analog servos as they will reduce the performance of the system and may cause overheating.



## DRIVING PRECAUTIONS

- Maintain sight of the vehicle at all times.
- Routinely inspect the vehicle for loose wheel hardware.
- Routinely inspect the steering assembly for any loose hardware. Driving the vehicle off-road can cause fasteners to loosen over time.
- Do not drive the vehicle in tall grass. Doing so can damage the vehicle or electronics.
- Stop driving the vehicle when you notice a lack of power. Driving the vehicle when the battery is discharged can cause the receiver to power off. If the receiver loses power, you will lose control of the vehicle. Damage due to an over-discharged Li-Po battery is not covered under warranty.

**CAUTION:** Do not discharge a Li-Po battery below 3V per cell. Batteries discharged to a voltage lower than the lowest approved voltage may become damaged, resulting in loss of performance and potential fire when batteries are charged.

- Do not apply forward or reverse throttle if the vehicle is stuck. Applying throttle in this instance can damage the motor or ESC.
- After driving the vehicle, allow the electronics to cool before driving the vehicle again.

**IMPORTANT:** Keep wires away from all moving parts.

## BEFORE RUNNING YOUR VEHICLE

1. Check for free suspension movement. All suspension arms and steering components should move freely. Any binds will cause the vehicle to handle poorly.

**Tip:** To increase the ride height and ground clearance of your vehicle, install the included shock spacers. The stock shock spacer measures 4mm. You can add one or both of the medium (2 mm) and/or small (1 mm) spacers to increase vehicle height and ground clearance.

2. Charge a battery pack. Always charge the battery pack as per the battery and/or charger manufacturers' instructions.
3. Set the transmitter steering trim. Follow the instructions to set the steering trim/subtrim so that the vehicle drives straight with no input to the steering.
4. Perform a Control Direction Test.

## CALIBRATING THE RECEIVER

1. With the vehicle on a flat, level surface, insert the Bind Plug in the BIND port on the receiver.
2. Connect a fully charged battery pack to the ESC.
3. Power on the ESC. The orange LED flashes, indicating the receiver is in bind mode.
4. Center the ST TRIM and TH TRIM dials on the transmitter.
5. Press and hold the BIND button while powering on the transmitter.
6. Release the BIND button when the orange LED slowly flashes. The transmitter and receiver are linked when the orange LED is solid.
7. Pull the transmitter trigger to Full Throttle.
8. Push the transmitter trigger to Full Brake, then return the trigger to center.
9. Turn the transmitter steering wheel to Full Right.
10. Turn the transmitter steering wheel to Full Left, then return the steering wheel to center. The orange LED flashes once.
11. Remove the Bind Plug, then power off the receiver to save the settings.
12. Power off the transmitter.

## POWERING ON THE VEHICLE

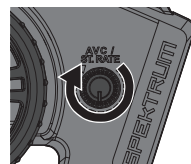
1. Center the ST TRIM and TH TRIM dials on the transmitter.
2. Power on the transmitter.
3. Remove the body from the vehicle.
4. Connect a fully charged battery pack to the ESC.
5. Power on the ESC.

**IMPORTANT:** The vehicle MUST remain on a flat, level surface and motionless for at least 5 seconds.

6. Re-install the body on the vehicle.

## AVC® SENSITIVITY

The ST RATE dial adjusts the sensitivity, or stability, value in the receiver. If you increase the sensitivity, the AVC® system becomes more sensitive to the vehicle drifting left or right. You would use maximum sensitivity during high speed driving or drag racing, when you want the vehicle to stay in a straight line. As the sensitivity value increases, the amount of steering travel decreases.



Turn the ST RATE knob counter-clockwise to reduce the sensitivity.  
Turn the ST RATE knob clockwise to increase the sensitivity.

**IMPORTANT:** The ST RATE knob will only adjust the sensitivity when the transmitter is bound to a DSMR® receiver. When the transmitter is bound to a DSM®, DSM2® or DSM Marine receiver, the ST RATE knob controls the steering dual rate.

## DISABLING AVC® TECHNOLOGY

If you participate in organized racing, you may be required to turn AVC off. To turn AVC off:

1. Insert a Bind Plug in the BIND port on the receiver.
2. Insert a second Bind Plug in the DISABLE port on the receiver.
3. Connect a fully charged battery pack to the ESC.
4. Power on the ESC. The orange LED flashes, indicating the receiver is in bind mode.
5. Center the ST TRIM and TH TRIM dials on the transmitter.
6. Press and hold the BIND button while powering on the transmitter.
7. Release the BIND button when the orange LED slowly flashes. The transmitter and receiver are linked when the orange LED is solid.
8. Pull the transmitter trigger to Full Throttle.
9. Push the transmitter trigger to Full Brake, then return the trigger to center.
10. Turn the transmitter steering wheel to Full Right.
11. Turn the transmitter steering wheel to Full Left, then return the steering wheel to center. The orange LED flashes once.
12. Remove the Bind Plugs, then power off the receiver to save the settings. The receiver will continuously blink to indicate AVC is disabled.
13. Power off the transmitter.

**IMPORTANT:** You must calibrate the receiver each time it is placed in bind mode. To activate AVC, see the steps in "Calibrating the Receiver."

## RUN TIME

The largest factor in run time is the capacity of the battery pack. A larger mAh rating increases the amount of run time experienced.

The condition of a battery pack is also an important factor in both run time and speed. The battery connectors may become hot during driving. Batteries will lose performance and capacity over time.

Driving the vehicle from a stop to full speed repeatedly will damage the batteries and electronics over time. Sudden acceleration will also lead to shorter run times.

### TO IMPROVE RUN TIMES

- Keep your vehicle clean and well maintained.
- Allow more airflow to the ESC and motor.
- Change the gearing to a lower ratio. A lower ratio decreases the operating temperature of the electronics. Use a smaller pinion gear or larger spur gear to lower the gear ratio.
- Use a battery pack with a higher mAh rating.
- Use the optimum charger to charge battery packs (Visit your local hobby dealer for more information).

## DYNAMITE® FUZE™ 130A SENSORLESS BRUSHLESS ESC (DYN4955)

### SPECIFICATIONS

Type	Sensorless
Constant/Peak	130A/760A
Resistance	0.0004 Ohm
Function	Forward/Brake—Forward/Brake Reverse
Operation	Proportional forward, proportional reverse with braking delay
Input Voltage	7.4V–14.8V (The motor in this vehicle will not support 14.8V)
BEC Output	6V/3A
Overload Protection	Thermal
Dimensions (LxWxH)	53.5mm x 36mm x 36mm
Weight	79 g

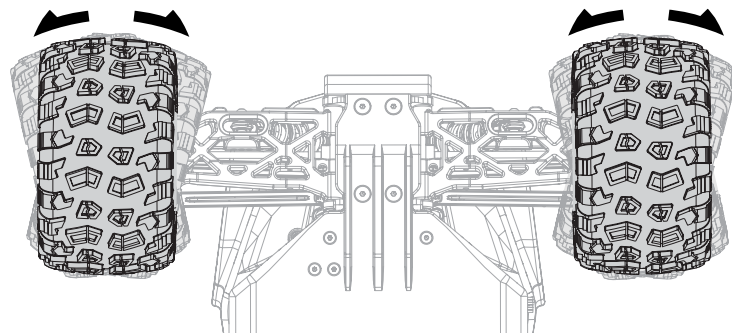
### ESC LED STATUS

- No ESC LEDs will glow when there is no throttle input from the transmitter.
- The red ESC LED glows when there is any throttle input from the transmitter.

### AUDIBLE WARNING TONES

1. **Input Voltage:** The ESC checks the input voltage when it is powered ON. If a voltage problem is detected, the ESC continuously sounds 2 beeps with a 1 second pause (xx-xx-xx). Power OFF the ESC and ensure the connections are secure and that the battery power is not too low for safe operation.
2. **Radio Connection:** The ESC checks radio signal input when it is powered ON. If a problem is detected, the ESC continuously sounds 1 beep with a 2 second pause (x--x--x). Power OFF the ESC and ensure the radio system is operating correctly.

## PERFORMING A CONTROL DIRECTION TEST



Perform a control test with the vehicle wheels off the ground. If the wheels rotate after the vehicle is powered ON, adjust the TH Trim knob until they stop. To make the wheels move forward, pull the trigger. To reverse them, wait for the wheels to stop, then push the trigger. When moving forward, the wheels should maintain a straight line without any steering wheel input. If not, adjust the ST Trim knob, so the wheels maintain a straight line without having to turn the steering wheel.

## CHANGING THE TRAVEL ADJUST SETTINGS

1. Hold the trigger in the full brake position and turn the steering wheel to Full Right while powering on the transmitter. The LED flashes rapidly, indicating the programming mode is active.
2. Throttle End Point: Continue holding full throttle. Turn the TH TRIM knob to adjust the full throttle end point.
3. Brake End Point: Hold the trigger in the full brake position. Turn the TH TRIM knob to adjust the full brake end point. Return the trigger to the center position.
4. Left Steering End Point: Hold the steering wheel in the full left position. Turn the ST TRIM knob to adjust the left end point.
5. Right Steering End Point: Hold the steering wheel in the full right position. Turn the ST TRIM knob to adjust the right end point. Return the steering wheel to the center position.
6. Power off the transmitter to save the travel adjust settings. The minimum Travel is 75%, and the Maximum travel is 150%.

**IMPORTANT:** If the travel is changed on the DX2E, you must rebind and calibrate the SRS4201.

For sensorless brushless motors:

1. Connect the ESC terminal A (typically designated by a blue wire) to the motor's terminal A (red wire on a Dynamite® Fuze™ sensorless motor). This may also be changed in Programming Item 12, Motor Rotation, without changing wire connections.
2. Connect the ESC terminal B (typically designated by a yellow wire) to the motor's terminal B (blue wire on a Dynamite® Fuze™ sensorless motor).
3. Connect the ESC terminal C (typically designated by an orange wire) to the motor's terminal C (black wire on a Dynamite® Fuze™ sensorless motor).

**NOTICE:** Always disconnect the battery from the ESC when you have finished operating your vehicle. The ESC's switch only controls power to the receiver and servos. The ESC will continue to draw current when connected to the battery, resulting in possible damage to the battery through over discharge.

### ESC CALIBRATION PROCEDURE

Ensure proper ESC function by calibrating the ESC to your transmitter inputs.

1. Power OFF the ESC.
2. Ensure your transmitter is powered ON, the throttle is not reversed, the throttle trim is neutral and the throttle travel range is at 100%. Disable any special functions such as ABS, etc.
3. Press the SET button while powering ON the ESC. Release the button as soon as the red LED starts to flash.
4. Calibrate the throttle points by pressing the SET button once after each step.
  - Neutral (1 flash)—leave the throttle at rest, untouched
  - Full throttle (2 flashes)—pull the throttle fully back
  - Full brake/reverse (3 flashes)—push the throttle fully forward
5. The motor will run 3 seconds after the last step is completed.

**Tip:** If the motor turns in the wrong direction, reverse the connection of any 2 outside motor wires. The center wire must remain in the center and cannot be moved to another motor tab.

## ESC FUNCTIONS AND MODES

The ESC includes programming options so you can adjust the way your vehicle performs. Refer to the included settings table to adjust the ESC for your driving conditions.

### ESC PROGRAMMING PROCEDURE

Programming is accomplished using the SET button on the ON/OFF switch or Digital Program Box (DYNS3005).

1. Connect a fully charged battery to the ESC.
2. Power ON the ESC using the ESC switch.
3. Hold the SET button for 1 second until the green LED blinks, then release the SET button to enter programming mode.

4. Press and release the SET button as needed to get to the desired menu option (the Green LED will blink corresponding to the menu item number). Programming menu items 1 through 9 are accessible using the SET button on the ESC. Programming menu items 10 and above are only accessible using the optional ESC programming card. Programming of menu items 10 and 11 is only possible after firmware updates to the ESC programming card.
5. When at the desired menu item, hold the SET button for 3 seconds until the red LED blinks.
6. Press the SET button to move among the settings based on how many times the red LED blinks (Refer to the table for more information).
7. Save the setting by holding the SET button for 3 seconds.
8. Power OFF the ESC switch and repeat the instructions above to change other settings.

**Tip:** If desired, the ESC programming can be returned to default settings by powering ON the ESC and holding the SET button for 5 seconds.

PROGRAMMABLE ITEMS Basic Items	PROGRAMMABLE VALUE								
	1	2	3	4	5	6	7	8	9
<b>1 Running Mode</b>	Forward w/ brake	Forward/Reverse w/ brake	Forward/Reverse						
<b>2 Drag Brake Force</b>	0%	5%	10%	20%	40%	60%	80%	100%	
<b>3 Low Voltage Cutoff</b>	non-protection	2.6V/Cell	2.8V/Cell	3.0V/Cell	3.2V/Cell	3.4V/Cell			
<b>4 Start Mode</b>	Level 1	Level 2	Level 3	Level 4	Level 5	Level 6	Level 7	Level 8	Level 9

PROGRAMMABLE ITEMS Advanced Items	PROGRAMMABLE VALUE								
	1	2	3	4	5	6	7	8	9
<b>5 Max Brake Force</b>	25%	50%	75%	100%	disable				
<b>6 Max Reverse Force</b>	25%	50%	75%	100%					
<b>7 Initial Brake Force</b>	= Drag Brake Force	0%	20%	40%					
<b>8 Neutral Range</b>	6% (Narrow)	9% (Normal)	12% (Wide)						
<b>9 Timing</b>	0.00°	3.75°	7.50°	11.25°	15.00°	18.75°	22.50°	26.25°	
<b>10 Reserved Item</b>									
<b>11 Reserved Item</b>									
<b>12 Motor Rotation</b>	Counterclockwise	Clockwise							
<b>13 Li-Po Cells</b>	Auto Calculate	2 Cells	3 Cells	4 Cells	5 Cells	6 Cells			

## DESCRIPTIONS

### 1. Running Mode

- *Forward Only with Brake*  
Intended for competition use, this mode allows only forward and brake controls.
- *Forward/Reverse with Brake*  
This mode is the basic all-around mode, allowing forward, reverse and brake controls. To engage reverse while moving forward, apply the brake until the vehicle has come to a complete stop, release brake, then apply the brake again. While braking or in reverse, engaging the throttle will result in the vehicle immediately accelerating forward.

### 2. Drag Brake Force

Adjusts the amount of brake automatically applied when the throttle is returned to the neutral position. This simulates the engine braking effect of a full-scale vehicle, allowing improved turn-in and your vehicle's general response to controls.

### 3. Low Voltage Cutoff

This function helps to prevent battery over-discharge. The ESC continuously monitors the battery's voltage. If the voltage falls below the voltage threshold for 2 seconds, the output power shuts off and the red LED flashes twice repeatedly.

The cutoff threshold calculation is based on individual Li-Po cell voltage. For Ni-MH batteries, if the voltage battery pack is higher than 9.0V, it will be treated as a 3-cell Li-Po battery pack; if it is lower than 9.0V, it will be treated as a 2-cell Li-Po battery pack. Example: for a 8.0V Ni-MH battery pack used with a 2.6V/cell threshold, it will be treated as a 2-cell Li-Po battery pack and the low-voltage cut-off threshold will be 5.2V (2.6x2=5.2).

### 4. Start Mode (Punch)

Sets the initial throttle punch when the car accelerates. Level 1 gives a very soft initial acceleration and level 4 gives a stronger initial acceleration.

### 5. Max Brake Force

Adjusts the maximum braking force. A higher value provides stronger braking, but can also cause the wheels to lock, resulting in loss of control of the car.

### 6. Max Reverse Force

This parameter adjusts the maximum power when travelling in reverse.

### 7. Initial Brake Force (minimum brake)

Adjusts the minimum amount of braking power when the brakes engage. The default value is equal to the drag brake value. A high value can lock the wheels when the brake is used.

### 8. Neutral Range

Adjusts the throttle sensitivity around the neutral point. A higher value results in the throttle having to be moved more for the vehicle to move forward, backward or brake.

### 9. Timing

Adjusts the motor drive current timing. More timing gives more performance, but can lower efficiency and cause damage to the motor and/or ESC by overload or overheating.

**NOTICE:** Always ensure the motor timing is set correctly. Failure to set the motor timing correctly can result in damage to the motor and ESC. Refer to the manufacturer instructions for recommended timing settings.

### The Following Programmable Items require the optional Digital ESC Program Box:

**10. and 11.** Available Items are subject to firmware updates to the ESC and the optional digital program box.

### 12. Motor Rotation

Allows you to make this change in the ESC so no wires need to be changed between the ESC and the motor.

### 13. Li-Po Cells

Allows the ESC to automatically detect or manually set the number of cells in your Li-Po battery back.

# DYNAMITE® FUZE™ 3800KV BRUSHLESS MOTOR (DYNS1616)

## PRECAUTIONS

- Never touch moving parts.
- Never disassemble while the batteries are installed.
- Always let parts cool before touching.

## GEARING

Your vehicle has been equipped with the optimal gearing for the stock platform. It offers an ideal balance between speed, power and efficiency. Should you decide to customize your vehicle with optional batteries or motors, it may be necessary for you to change the pinion or spur gear.

Installing a pinion gear with fewer teeth or a spur gear with more teeth will provide greater torque but will reduce top speed. Likewise, a pinion gear with more teeth or a spur gear with fewer teeth will reduce torque and increase top speed. Care should be taken when installing larger pinion gears as this can "overgear" the vehicle, resulting in overheating of the motor and ESC. When testing different gearing options, pay close attention to the temperature of the motor and speed control to ensure you are operating within the temperature range of the components. The motor or ESC should never be so hot that it cannot be touched. If temperatures are too hot, a different gearing combination with a lower pinion gear and/or higher spur gear is suggested.

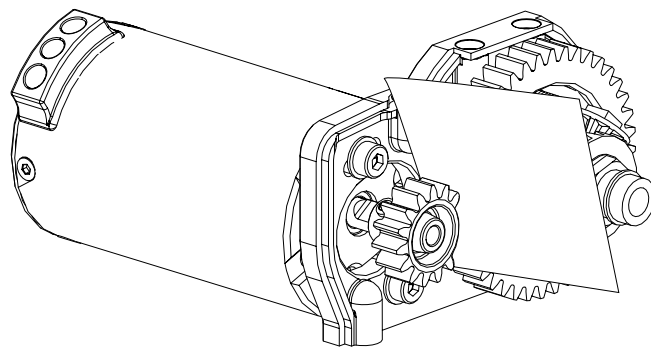
## CHANGING THE PINION GEAR/GEAR RATIO

1. Unscrew the gear cover screw and remove the gear cover.
2. Loosen the motor screws and slide the motor back.
3. Place the new pinion on the end of the motor shaft so the set screw is located over the flat on the shaft.
4. Position it so the teeth line up with the spur gear and secure the pinion by tightening the set screw.
5. Set the gear mesh.
6. Reinstall the gear cover.

## SETTING THE GEAR MESH

The gear mesh has already been set at the factory. Setting it is only necessary when changing motors or gears.

Proper gear mesh (how gear teeth meet) is important to the performance of the vehicle. When the gear mesh is too loose, the spur gear could be damaged by the pinion gear of the motor. If the mesh is too tight, speed could be limited and the motor and ESC will overheat.



1. Unscrew the gear cover screw and remove the gear cover.
2. Loosen the motor screws and slide the motor back.
3. Put a small piece of paper between the pinion and spur gears.
4. Push the gears together while tightening the motor screws.
5. Remove the paper. Check the mesh at 3–5 different locations around the spur gear for a small amount of movement.
6. Reinstall the gear cover.

**NOTICE:** For a 2S Li-Po battery, use the included 16T Pinion gear. For a 3S Li-Po battery, use the optional 14T (Mod 1) pinion gear (LOSA3574).

**NOTICE:** If you use the 16T (Mod 1) pinion gear with a 3S Li-Po battery, damage to the vehicle, ESC, and/or motor will occur.

## TROUBLESHOOTING GUIDE

PROBLEM	POSSIBLE CAUSE	SOLUTION
Vehicle does not operate	Battery not charged or plugged in	Charge battery/plug in
	ESC switch not "On"	Turn on ESC switch
	Transmitter not "On" or low battery	Turn on/replace batteries
Motor runs but wheels do not rotate	Pinion not meshing with spur gear	Adjust pinion/spur mesh
	Pinion spinning on motor shaft	Tighten pinion gear setscrew on motor shaft flat spot
	Transmission gears stripped	Replace transmission gears
	Drive pin broken	Check and replace drive pin
Steering does not work	Servo plug not in receiver properly	Make sure the steering servo plug is connected to the receiver steering channel, noting proper polarity
	Servo gears or motor damaged	Replace or repair servo
Will not turn one direction	Servo gears damaged	Replace or repair servo
Motor does not run	Motor wire solder joint is damaged	Resolder the motor wire with the proper equipment
	Motor wire broken	Repair or replace as needed
	ESC damaged	Contact Horizon Hobby Product Support
ESC gets hot	Motor over-gearred	Use smaller pinion or larger spur gear
	Driveline bound up	Check wheels and transmission for binding
Poor run time and/or sluggish acceleration	Battery pack not fully charged	Recharge battery
	Charger not allowing full charge	Try another charger
	Driveline bound up	Check wheels, transmission for binding
Poor range and/or glitching	Transmitter batteries low	Check and replace
	Vehicle battery low	Recharge battery
	Loose plugs or wires	Check all wire connections and plugs



## LIMITED WARRANTY

### What this Warranty Covers

Horizon Hobby, LLC, (Horizon) warrants to the original purchaser that the product purchased (the "Product") will be free from defects in materials and workmanship at the date of purchase.

### What is Not Covered

This warranty is not transferable and does not cover (i) cosmetic damage, (ii) damage due to acts of God, accident, misuse, abuse, negligence, commercial use, or due to improper use, installation, operation or maintenance, (iii) modification of or to any part of the Product, (iv) attempted service by anyone other than a Horizon Hobby authorized service center, (v) Product not purchased from an authorized Horizon dealer, or (vi) Product not compliant with applicable technical regulations or (vii) use that violates any applicable laws, rules, or regulations.

OTHER THAN THE EXPRESS WARRANTY ABOVE, HORIZON MAKES NO OTHER WARRANTY OR REPRESENTATION, AND HEREBY DISCLAIMS ANY AND ALL IMPLIED WARRANTIES, INCLUDING, WITHOUT LIMITATION, THE IMPLIED WARRANTIES OF NON-INFRINGEMENT, MERCHANTABILITY AND FITNESS FOR A PARTICULAR PURPOSE. THE PURCHASER ACKNOWLEDGES THAT THEY ALONE HAVE DETERMINED THAT THE PRODUCT WILL SUITABLY MEET THE REQUIREMENTS OF THE PURCHASER'S INTENDED USE.

### Purchaser's Remedy

Horizon's sole obligation and purchaser's sole and exclusive remedy shall be that Horizon will, at its option, either (i) service, or (ii) replace, any Product determined by Horizon to be defective. Horizon reserves the right to inspect any and all Product(s) involved in a warranty claim. Service or replacement decisions are at the sole discretion of Horizon. Proof of purchase is required for all warranty claims. SERVICE OR REPLACEMENT AS PROVIDED UNDER THIS WARRANTY IS THE PURCHASER'S SOLE AND EXCLUSIVE REMEDY.

### Limitation of Liability

HORIZON SHALL NOT BE LIABLE FOR SPECIAL, INDIRECT, INCIDENTAL OR CONSEQUENTIAL DAMAGES, LOSS OF PROFITS OR PRODUCTION OR COMMERCIAL LOSS IN ANY WAY, REGARDLESS OF WHETHER SUCH CLAIM IS BASED IN CONTRACT, WARRANTY, TORT, NEGLIGENCE, STRICT LIABILITY OR ANY OTHER THEORY OF LIABILITY, EVEN IF HORIZON HAS BEEN ADVISED OF THE POSSIBILITY OF SUCH DAMAGES. Further, in no event shall the liability of Horizon exceed the individual price of the Product on which liability is asserted. As Horizon has no control over use, setup, final assembly, modification or misuse, no liability shall be assumed nor accepted for any resulting damage or injury. By the act of use, setup or assembly, the user accepts all resulting liability. If you as the purchaser or user are not prepared to accept the liability associated with the use of the Product, purchaser is advised to return the Product immediately in new and unused condition to the place of purchase.

### Law

These terms are governed by Illinois law (without regard to conflict of law principals). This warranty gives you specific legal rights, and you may also have other rights which vary from state to state. Horizon reserves the right to change or modify this warranty at any time without notice.

## WARRANTY SERVICES

### Questions, Assistance, and Services

Your local hobby store and/or place of purchase cannot provide warranty support or service. Once assembly, setup or use of the Product has been started, you must contact your local

distributor or Horizon directly. This will enable Horizon to better answer your questions and service you in the event that you may need any assistance. For questions or assistance, please visit our website at [www.horizonhobby.com](http://www.horizonhobby.com), submit a Product Support Inquiry, or call the toll free telephone number referenced in the Warranty and Service Contact Information section to speak with a Product Support representative.

### Inspection or Services

If this Product needs to be inspected or serviced and is compliant in the country you live and use the Product in, please use the Horizon Online Service Request submission process found on our website or call Horizon to obtain a Return Merchandise Authorization (RMA) number. Pack the Product securely using a shipping carton. Please note that original boxes may be included, but are not designed to withstand the rigors of shipping without additional protection. Ship via a carrier that provides tracking and insurance for lost or damaged parcels, as Horizon is not responsible for merchandise until it arrives and is accepted at our facility. An Online Service Request is available at [http://www.horizonhobby.com/content/\\_service-center\\_render-service-center](http://www.horizonhobby.com/content/_service-center_render-service-center). If you do not have internet access, please contact Horizon Product Support to obtain a RMA number along with instructions for submitting your product for service. When calling Horizon, you will be asked to provide your complete name, street address, email address and phone number where you can be reached during business hours. When sending product into Horizon, please include your RMA number, a list of the included items, and a brief summary of the problem. A copy of your original sales receipt must be included for warranty consideration. Be sure your name, address, and RMA number are clearly written on the outside of the shipping carton.

**NOTICE: Do not ship Li-Po batteries to Horizon. If you have any issue with a Li-Po battery, please contact the appropriate Horizon Product Support office.**

### Warranty Requirements

**For Warranty consideration, you must include your original sales receipt verifying the proof-of-purchase date.** Provided warranty conditions have been met, your Product will be serviced or replaced free of charge. Service or replacement decisions are at the sole discretion of Horizon.

### Non-Warranty Service

**Should your service not be covered by warranty, service will be completed and payment will be required without notification or estimate of the expense unless the expense exceeds 50% of the retail purchase cost.** By submitting the item for service you are agreeing to payment of the service without notification. Service estimates are available upon request. You must include this request with your item submitted for service. Non-warranty service estimates will be billed a minimum of ½ hour of labor. In addition you will be billed for return freight. Horizon accepts money orders and cashier's checks, as well as Visa, MasterCard, American Express, and Discover cards. By submitting any item to Horizon for service, you are agreeing to Horizon's Terms and Conditions found on our website [http://www.horizonhobby.com/content/\\_service-center\\_render-service-center](http://www.horizonhobby.com/content/_service-center_render-service-center).

**ATTENTION: Horizon service is limited to Product compliant in the country of use and ownership. If received, a non-compliant Product will not be serviced. Further, the sender will be responsible for arranging return shipment of the un-serviced Product, through a carrier of the sender's choice and at the sender's expense. Horizon will hold non-compliant Product for a period of 60 days from notification, after which it will be discarded.**

## Warranty and Service Contact Information

Country of Purchase	Horizon Hobby	Contact Information	Address
United States of America	Horizon Service Center (Repairs and Repair Requests)	servicecenter.horizonhobby.com/RequestForm/	4105 Filedstone Rd. Champaign, Illinois 61822 USA
	Horizon Product Support (Product Technical Assistance)	productsupport@horizonhobby.com 877-504-0233	
	Sales	websales@horizonhobby.com 800-338-4639	
United Kingdom	Service/Parts/Sales: Horizon Hobby Limited	sales@horizonhobby.co.uk +44 (0) 1279 641 097	Units 1-4 Ployters Rd Staple Tye Harlow, Essex CM18 7NS, United Kingdom
Germany	Horizon Technischer Service	service@horizonhobby.de	Christian-Junge-Straße 1 25337 Elmshorn, Germany
	Sales: Horizon Hobby GmbH	+49 (0) 4121 2655 100	
France	Service/Parts/Sales: Horizon Hobby SAS	infofrance@horizonhobby.com +33 (0) 1 60 18 34 90	11 Rue Georges Charpak 77127 Lieusaint, France

## FCC Statement

This device complies with part 15 of the FCC rules. Operation is subject to the following two conditions: (1) This device may not cause harmful interference, and (2) this device must accept any interference received, including interference that may cause undesired operation.

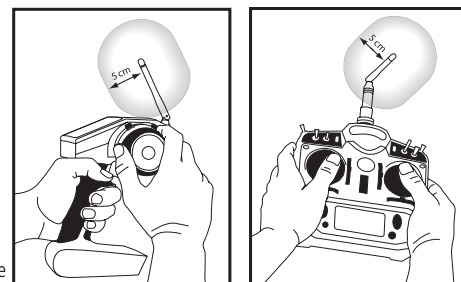
**CAUTION:** Changes or modifications not expressly approved by the party responsible for compliance could void the user's authority to operate the equipment.

This product contains a radio transmitter with wireless technology which has been tested and found to be compliant with the applicable regulations governing a radio transmitter in the 2.400GHz to 2.4835GHz frequency range.

## Antenna Separation Distance

When operating your Spektrum transmitter, please be sure to maintain a separation distance of at least 5 cm between your body (excluding fingers, hands, wrists, ankles and feet) and the antenna to meet RF exposure safety requirements as determined by FCC regulations.

The following illustrations show the approximate 5 cm RF exposure area and typical hand placement when operating your Spektrum transmitter.



## IC Information

This device complies with Industry Canada licence-exempt RSS standard(s). Operation is subject to the following two conditions: (1) this device may not cause interference, and (2) this device must accept any interference, including interference that may cause undesired operation of the device.

**CE EU Compliance Statement:** Horizon Hobby, LLC hereby declares that this product is in compliance with the essential requirements and other relevant provisions of the R&TTE and EMC Directive.

A copy of the EU Declaration of Conformity is available online at: <http://www.horizonhobby.com/content/support-render-compliance>.



## Instructions for disposal of WEEE by users in the European Union

This product must not be disposed of with other waste. Instead, it is the user's responsibility to dispose of their waste equipment by handing it over to a designated collections point for the recycling of waste electrical and electronic equipment. The separate collection and recycling of your waste equipment at the time of disposal will help to conserve natural resources and ensure that it is recycled in a manner that protects human health and the environment. For more information about where you can drop off your waste equipment for recycling, please contact your local city office, your household waste disposal service or where you purchased the product.

# Replacement Parts // Teileliste // Liste des pièces de rechange // Elenco dei ricambi

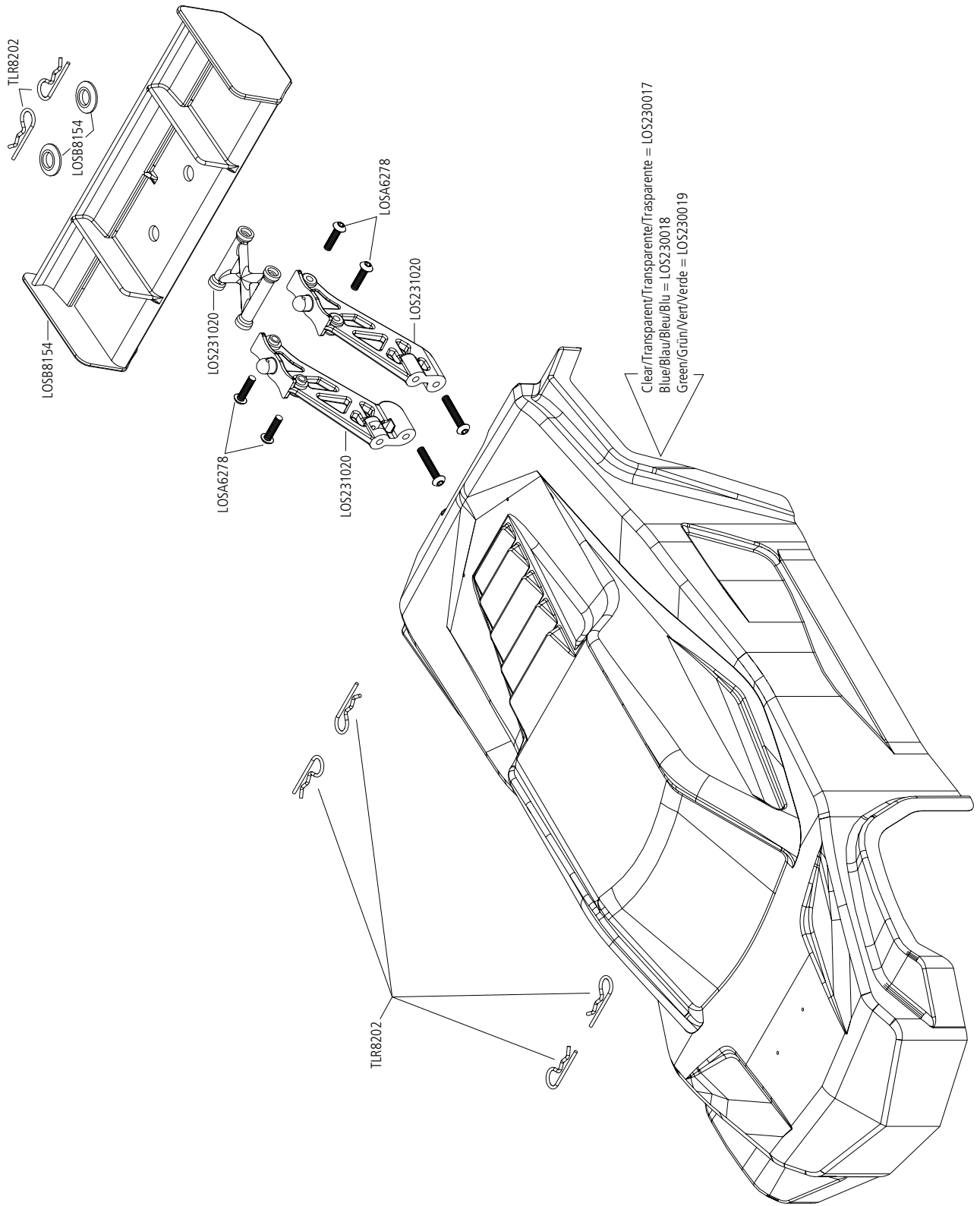
Part #	English	Deutsch	Français	Italiano
DYN4955	Fuze 130A Sensorless BI WP ESC: 4WD SCT 1/8	Fuze 130A Sensorless BI WP ESC: 4WD SCT 1/8	4WD SCT 1/8 - Contrôleur Brushless Fuze 130A	Fuze 130A ESC BL senza sensori WP: 4WD SCT 1/8
DYNS1616	FUZE 550 BL Motor 3800kv	FUZE 550 BL Motor 3800kv	Moteur Brushless Fuze 550 3800Kv	FUZE 550 motore BL 3800kV
LOS230018	Body Set, Painted: TEN MT BK/BLUE	Karoserieset lackiert: TEN MT schwarz /blau	TEN MT - Carrosserie peinte noire et bleue	Set carrozzeria verniciata: TEN MT nero/blu
LOS230019	Body Set, Painted: TEN MT BLACK/GREEN	Karoserieset lackiert: TEN MT schwarz /grün	TEN MT - Carrosserie peinte noire et verte	Set carrozzeria verniciata: TEN MT nero/verde
LOS231015	Front and Rear Shock Towers: TEN MT/SCBE	Dämpferbrücke v/h: TEN MT/SCBE	TEN MT/SCBE - Supports d'amortisseurs avant et arrière	Torrette ammortizz. ant./post.: TEN MT/SCBE
LOS231016	Chassis and Brace: TEN MT	Chassis und Halter: TEN MT/SCBE	TEN MT - Châssis et renfort	Telaio e trapezio: TEN MT
LOS231017	Battery Box: TEN MT	Akkubox: TEN MT	TEN MT - Boîtier batterie	Scatola batteria: TEN MT
LOS231018	Body Post Set: TEN MT	Karoseriehalterset: TEN MT	TEN MT - Support de carrosserie	Supporti carrozzeria: TEN MT
LOS231019	Radio Tray: TEN MT	RC Halterset: TEN MT	TEN MT - Platine radio	Piastra radio: TEN MT
LOS231020	Wing Mount: TEN MT	Flügelhalter: TEN MT	TEN MT - Fixation d'aile	Supporto alettone: TEN MT
LOS232015	Wheel Hex w/Pins (4): TEN MT	Radmitnehmer m. Stifte (4): TEN MT	TEN MT - Hexagones de roues avec goupilles (4)	Esagone ruota con perno: TEN MT
LOS232016	Center Diff Mount Set: TEN MT	Mitteldiffhalter Set: TEN MT	TEN MT - Support de différentiel central	Set supporto diff. centrale: TEN MT
LOS232017	Center Dogbone (2): TEN MT	Antriebsknochen mitte (2): TEN MT	TEN MT - Cardan central (2)	Cardano centrale (2): TEN MT
LOS232018	Axle Dogbone (2): TEN MT	Antriebsknochen Achse (2): TEN MT	TEN MT - Cardan de pont (2)	Giunto cardanico (2): TEN MT
LOS233006	Front & Rear Shock Body: TEN MT	Dämpfergehäuse: TEN MT	TEN MT - Corps d'amortisseur avant et arrière	Corpo ammortizzatore ant./post.: TEN MT
LOS233007	Rear Shock Shaft (2): TEN MT	Stoßdämpferkolben Set hinten (2): TEN MT	TEN MT - Tige d'amortisseur arrière (2)	Stelo ammortizzatore posteriore (2): TEN MT
LOS233008	Front Shock Shaft (2): TEN MT	Stoßdämpferkolben Set vorne (2): TEN MT	TEN MT - Tige d'amortisseur avant (2)	Stelo ammortizzatore anteriore (2): TEN MT
LOS233009	Shock Spacer Set: TEN MT	Stoßdämpferdistanzstücke Set: TEN MT	TEN MT - Entretoise d'amortisseur	Set distanziale ammortizz.: TEN MT
LOS233010	Servo Arm Set: Ten MT	Losi Servoarmset : Ten MT	Ten MT - Set de palonnier de servo	Set braccetto servocomando: Ten MT
LOS234010	Suspension Link Set: TEN MT	Aufhängungsset: TEN MT	TEN MT - Bielles de suspension	Set collegamenti sospensione: TEN MT
LOS235017	5-40 x 1 1/4" BH Screw (8)	5-40 x 1 1/4" BH Schrauben (8)	Vis BHC 5-40 x 1 1/4" (8)	5-40 x 1 1/4" viti a testa tonda (8)
LOS235018	Set Screw, M3 X 3mm (10)	Madenschraubenset, M3 x 3 (10)	Set de vis, M3 x 3mm (10)	Vite di arresto, M3 X 3mm (10)
LOS236000	E-Clips 2.5mm (12)	E-Clips 2.5mm (12)	E-Clips 2,5mm (12)	E-clips 2,5mm (12)
LOS236001	3.2mm x 7mm x .5mm Washer (10)	3.2mm x 7mm x .5mm Unterlegscheiben (10)	Rondelle 3,2mm x 7mm x 0,5mm (10)	Rondella 3,2mm x 7mm x 0,5mm (10)
LOS43010	Wheel and Tire Mounted (2): TEN MT	Felge mit Rad montiert (2): TEN MT	TEN MT - Pneu et jante montés (2)	Cerchione e gomma montati: TEN MT
LOSA3576	1.0 Module Pitch Pinion, 16T: 8E, SCTE	Losi Ritzel 16Z Modul 1: 8E	8E, SCTE - Pignon module 1.0, 16T	Pignone 16T modulo 1.0: 8E, SCTE
LOSA6198	5-40 x 1 7/8" Buttonhead Screw (4)	5-40 x 1 7/8" Halbrundschrauben (4)	Vis à tête bombée 5-40 x 1 7/8" (4)	5-40 x 1 7/8" viti a testa tonda (4)
LOSA6240	5-40 x 1/2 Caphead Screw (8)	Losi 5-40 x 1/2 Zylinderkopfschrauben (8)	Vis CHC 5-40 x 1/2 (8)	5-40 x 1/2 viti a testa a brugola (8)
LOSA6256	4-40 x 1/2 Button Head Cap Screw (6)	Losi 4-40 x 1/2 Rundkopfschrauben (6)	Vis tête bombée 4-40 x 1/2 (6)	4-40 x 1/2 viti a testa tonda (6)
LOSA6262	8-32 x 1/2" FH Screws (10)	Losi 8-32 x 1/2 Flachkopfschrauben (10)	Vis FH 8-32 x 1/2" (10)	8-32 x 1/2" viti a testa piatta (10)
LOSA6270	5-40 x 3/8" Flat Head Screws (10)	Losi 5-40 x 3/8 Flachkopfschrauben (10)	Vis tête plate 5-40 x 3/8" (10)	5-40 x 3/8" viti a testa piatta (10)
LOSA6271	5-40 x 1/2" FH Screws (10)	Losi 5-40 x 1/2 Flachkopfschrauben (10)	Vis FH 5-40 x 1/2" (10)	5-40 x 1/2" viti a testa piatta (10)
LOSA6272	5-40 x 3/4" FH Screws (10)	Losi 5-40 x 3/4 Flachkopfschrauben (10)	Vis FH 5-40 x 3/4" (10)	5-40 x 3/4" viti a testa piatta (10)
LOSA6274	5-40 x 1 7/8" FH Screws (2)	Losi 5-40 x 1 7/8 Flachkopfschrauben (2)	Vis FH 5-40 x 1 7/8" (2)	5-40 x 1 7/8" viti a testa piatta (2)
LOSA6275	5-40 X 5/8" Flat Head Screws (10)	Losi 5-40 X 5/8 Flachkopfschrauben (10)	Vis tête plate 5-40 X 5/8" (10)	5-40 X 5/8" viti a testa piatta (10)
LOSA6277	5-40 x 3/8" BH Screws (8)	5-40 x 3/8" Rundkopfschrauben (8)	Vis BH 5-40 x 3/8" (8)	5-40 x 3/8" viti a testa tonda (8)
LOSA6278	5-40 x 1/2" BH Screws (8)	Losi 5-40 x 1/2 Rundkopfschrauben (8)	Vis BH 5-40 x 1/2 (8)	5-40 x 1/2" viti a testa tonda (8)
LOSA6279	40 x 3/4" BH Screws (8)	Losi 5-40 x 3/4 Rundkopfschrauben (8)	Vis BH 40 x 3/4" (8)	40 x 3/4" viti a testa tonda (8)
LOSA6280	5-40 x 1" BH Screws (4)	Losi 5-40 x 1 Rundkopfschrauben (4)	Vis BH 5-40 x 1" (4)	5-40 x 1" viti a testa tonda (4)
LOSA6282	5-40 x 7/8" BH Screws	Losi 5-40 x 7/8 Rundkopfschrauben	Vis BH 5-40 x 7/8"	5-40 x 7/8" viti a testa tonda
LOSA6286	5-40 x 5/8 BH Screws (8)	Losi 5-40 x 5/8 Rundkopfschrauben (8)	Vis BH 5-40 x 5/8 (8)	5-40 x 5/8 viti a testa tonda (8)
LOSA6290	8-32 x 1/2 BH Screws (8)	Losi 8-32 x 1/2 Rundkopfschrauben (8)	Vis BH 8-32 x 1/2 (8)	8-32 x 1/2 viti a testa tonda (8)
LOSA6302	5-40 Locking Nuts, Steel	Losi Stopmmutter 5-40 Stahl (4)	Nylstop, acier 5-40	5-40 dado autobloccante, acciaio
LOSA6306	4-40 Aluminum Mini-Nuts (10)	Losi 4-40 Aluminium Mini-Muttern (10)	Mini écrous en aluminium 4-40 (10)	4-40 mini dadi alluminio (10)
LOSA6350	#4 and 1/8" Hardened Washers	Losi Unterlegscheiben #4 und 1/8 gehärtet	Rondelles durcies #4 et 1/8"	#4 and 1/8" rondelle
LOSA6947	5x11x4 Rubber Sealed Ball Bearing (4)	Losi 5x11x4 Kugellager gekapselt (4)	Roulements étanches 5x11x4 (4)	5x11x4 cuscinetti a sfera sigillati in gomma (4)
LOSA6956	12 x 18 x 4mm Ball Bearing (2)	12 x 18 x 4mm Kugellager (2)	Roulement à bille 12 x 18 x 4mm (2)	12 x 18 x 4mm cuscinetto a sfera (2)
LOSA6957	10x15x4 mm BB (2) with Nylon Retainer	10x15x4 mm Kugellager (2) mit Bundrand	Roulements 10x15x4 flasques nylon (2)	10x15x4 mm cuscinetti (2) con fermo in nylon
LOSA6958	6x12x4 mm BB (2) with Nylon Retainer	6 x 12 x 4 BB mm Kugellager (2) mit Bundrand	Roulements 6x12x4 flasques nylon (2)	6x12x4 mm cuscinetti (2) con fermo in nylon
LOSB2021	Front Suspension Arm Set: 10-T	Querlenker set vorne: 10-T	10-T - Set de triangles avant	Set braccetto sospensione anteriore: 10-T
LOSB2022	Rear Suspension Mount Cover: TEN-SCTE	Querlenkerabdeckung hinten: TEN-SCTE	TEN SCTE - Couverture support suspension arrière	Copertura supporto sospensione post.: TEN-SCTE
LOSB2023	Rear Suspension Arm Set: 10-T	Querlenker set hinten: 10-T	10-T - Set de triangles Arr	Set braccetto sospensione posteriore: 10-T
LOSB2100	Front Spindle & Carrier Set: 10-T	Achsschenkel und Achsschenkelträger: 10-T	10-T - Set fusées et étriers avant	Set fusello e portafusello anteriore: 10-T
LOSB2103	Rear Hub & Spacer Set: 10-T	Hintere Aufhängung: 10-T	10-T - Fusées arrière et entretoises	Set hub posteriore con rondelle: 10-T
LOSB2123	Steering Bellcrank Set: 10-T	Servosaver Set: 10-T	10-T - Parties plastiques de saue servo	Set quadrante sterzo: 10-T
LOSB2124	Steering Posts/Tubes & Hardware: 10-T	Stehbolzen für Servosaver: 10-T	10-T - Support, tubes et accessoires de direction	Set comandi sterzo e hardware: 10-T
LOSB2211	Fr/R Pin Mount Cover Set: 10-T	Abdeckung f. Querlenkerhalter: 10-T	10-T - Set de protections de supports de pivots	Set copertura montante perno ant./post.: 10-T
LOSB2213	Pivot Pin Mount Set, Steel (4): 10-T	Querlenkerhalter Set (4) Stahl: 10-T	10-T - Supports de pivots en acier	Set montante perno girevole, acciaio: 10-T
LOSB2222	Front/Rear Sway Bar Kit: 10-T	Querstabilisatorset v/h: 10-T	10-T - Barre anti-roulis av./arr	Kit barra antitorsione ant./post.: 10-T
LOSB2279	Steering Drag Link & Hardware: 10-T	Lenkgestänge und Zubehör: 10-T	10-T - Barre d'ackerman et accessoires	Rinvio trascinamento sterzo e hardware: 10-T
LOSB2904	Shock Plastics Set (4): 10-T	Kunststoffteile Stoßdämpfer (4): 10-T	10-T - Set pièces plastiques d'amortisseurs (4)	Set parti in plastica ammortizz. (4): 10-T
LOSB2905	Fr/R Shock Boots (8): 10-T	Stoßdämpfermanschetten (8): 10-T	10-T - Chaussettes de protection de tiges d'amortisseurs (8)	Protezione stelo ammortizzatore ant./post. (8): 10-T
LOSB2906	Shock Rebuild Set (2): 10-T	Stoßdämpfer Reparatur Set (2): 10-T	10-T - Kit de réparation d'amortisseur (2)	Set riparazione ammortizz. (2): 10-T
LOSB2909	Piston Pack (2): TEN-T/TEN-SCTE	Stoßdämpferkolben: TEN-SCTE	TEN-T/TEN-SCTE - Pack de piston (2)	Piston (2): TEN-T/TEN-SCTE
LOSB2963	Rear Racing Spring Set: TEN	LOSI Rennfedernsatz hinten: TEN	Set de ressorts arrière de compétition - TEN	Set molle racing posteriori: TEN

## Replacement Parts // Teileliste // Liste des pièces de rechange // Elenco dei ricambi

LOSB3104	Front/Rear Gearbox Set: 10-T	Diffgehäuse v/h Set: 10-T	10-T - Carter de transmission avant et arrière	Set cellula ant./post.: 10-T
LOSB3436	40T Spur Gear, Mod 1: TEN-SCTE	Zahnrad 40Z M1: TEN-SCTE	TEN-SCTE - Couronne 40T, Mod 1	40T corona, Mod 1: TEN-SCTE
LOSB3553	Center Diff Outdrive Set (2): 10-T	Diff Gehäuse u Dichtung Set : 10-T	10-T - Noix de cardan de diff central (2)	Set trascinatore diff. centrale (2): 10-T
LOSB3563	Fr/R Diff Outdrive Set (2): 10-T	Antriebswelle Vorne/hinten inkl. Zubehör: 10-T	10-T - Noix de cardan de sortie de diff avant et arrière (2)	Set trascinatore diff. ant./post. (2): 10-T
LOSB3564	Fr/R Driveshafts (2): 10-T	Antriebswelle v/h (2): 10-T	10-T - Arbres de cardans av ou arr (2)	Albero trasmissione ant./post. (2): 10-T
LOSB3565	Fr/R CV Couplers (4): 10-T	CV Kuppungsstücke v/h: 10-T	10-T - Coupleurs de cardans avant ou arr CVD (4)	Accoppiatori CV ant./post. (4): 10-T
LOSB3566	Fr/R Axles (2): 10-T	Losi Achsen vorne / hinten (2): 10-T	10-T - Pont av./arr. (2)	Assi ant./post. (2): 10-T
LOSB3568	Diff Gasket & Misc: 10-T	Vergaserdichtung + div: 10-T	10-T - Set de joints et goupilles de diff	Giunta diff. & hardware: 10-T
LOSB3569	Diff Gear Set w/Hardware: 10-T	Zahnraderset Differential m Zbh.: 10-T	10-T - Pignons de différentiels avec accessoires	Ingranaggio diff. & hardware: 10-T
LOSB3571	Fr Ring & Pinion Gear Set: 10-T	Stirnrad vorne & Ritzelset: 10-T	10-T - Pignon conique d'attaque et couronne conique avant	Anello ant. & set pignoni: 10-T
LOSB3572	Rear Ring & Pinion Gear Set: 10-T	Stirnrad hinten & Ritzelset: 10-T	10-T - Pignon conique d'attaque et couronne conique arrière	Anello post. & set pignoni: 10-T
LOSB3590	Differential Gear Grease: TEN	Differentialfett: TEN	TEN -Graisse pour pignons de différentiel	Grasso ingranaggio diff.: TEN
LOSB3591	Differential Screws (8): TEN	Differentialsschrauben (8): TEN	TEN - Vis de différentiel (8)	Viti differenziale (8): TEN
LOSB4022	Camber & Steering Ball Set (12): 10-T	Kugelkopfset Lenkung & Spur (12): 10-T	10-T - Set de rotules de carrossage et direction (12)	Camber & set sfere sterzo (12): 10-T
LOSB4109	Suspension Hinge & King Pin Set (10): 10-T	Querlenkerstift (10): 10-T	10-T - Set d'axes de suspensions et d'axes de fusées (10)	Braccetto sospensione & set king pin (10): 10-T
LOSB8154	Rear Wing & Hardware: 10-T	10-T Hinterer Flügel mit Zubehör	Aileron arrière et visserie	Alettone posteriore & hardware: 10-T
SPM2330	DX2E 2Ch DSMR Surface Radio w/SR310	DX2E 2Ch DSMR Surface Radio mit SR310	Émetteur DX2E 2 voies DSMR avec RX SR310	DX2E trasmittente DSMR a due canali con SR310
SPMSRS4201	Replacement Rx: SRS4201 DSMR AVC	Ausstauschempfänger Rx: SRS4201 DSMR AVC	Récepteur SRS4201 DSMR AVC de remplacement	Ricevente di ricambio: SRS4201 DSMR AVC
TLR8202	Body Clips, Black (12): 22	Body Clips, schwarz (12): 22	22 - Clips de carrosserie noirs (12)	Clip carrozzeria, neri (12): 22
TLR237000	5x8x2.5mm Bearings (2)	5x8x2.5mm Kugellager (2)	Roulements 5x8x2,5mm (2)	5x8x2.5mm cuscinetti (2)
TLR245002	5-40 x 1/4" BH Screws (10)	TLR 5-40 x 1/4" BH Schrauben (10)	Vis BH 5-40 x 1/4" (10)	5-40 x 1/4" viti a testa tonda (10)
TLR32001	HD Diff Housing, Integrated Insert: TEN	TLR TEN : HD Diff Gehäuse	TEN -Carter de différentiel renforcé, insert intégré	Alloggiamento diff. HD, con inserti: TEN
TLR332051	Coupler Outdrive: SCTE 2.0	TLR Kupplungsstück für Antriebsklaue: SCTE 2.0	SCTE 2.0 - Noix de cardan	Accoppiatore trascinatore: SCTE 2.0
TLR334000	O-Rings, Bleeder Shock Cap (8): TEN	TLR O-Rings / Dämpferkappe mit Entlüftung (8): TEN	TEN -Joints toriques de bouchons d'amortisseurs à purge (8)	O-ring, tappo ammortizzatore con vite di spurgo (8): TEN

## Optional Parts // Optionale Teile // Pièces Optionnelles // Parti Opzionali

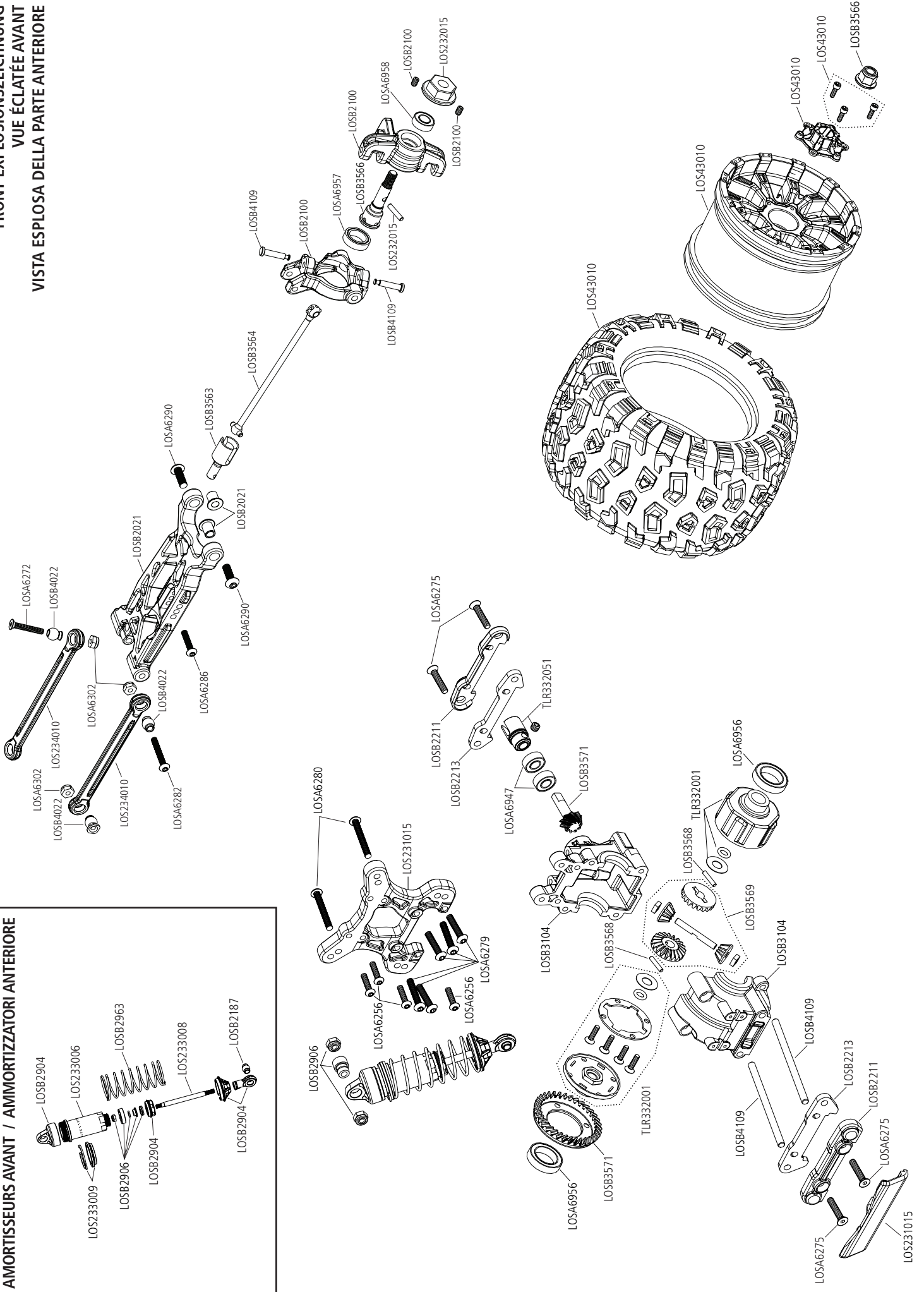
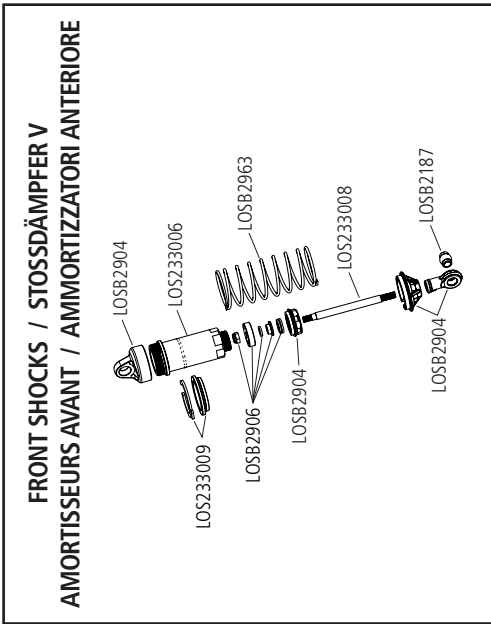
Part #	English	Deutsch	Français	Italiano
DYNC2010CA	Prophet Sport Plus 50W AC/DC Charger	Dynamite Prophet Sport Plus 50W Gleich- und Wechselstrom-Ladegerät	Chargeur Prophet Sport Plus 50W AC/DC	Prophet Sport Plus 50W AC/DC caricabatteria
LOS230017	Body Set, Clear: TEN MT	Karosserieset transparent: TEN MT	TEN MT - Carrosserie transparente	Set carrozzeria trasparente: TEN MT
LOSB2130	Rear Hubs, Aluminum: TEN	Losi Radträger hinten, Aluminium: TEN	TEN - Fusées arrière en aluminium	Mozzi posteriori, alluminio: TEN
LOSB2825	Front Shock Body (2): 10-T	Dämpfergehäuse vorne: 10-T	10-T - Corps d'amortisseurs avant (2)	Set corpo ammortizzatore ant. (2): 10-T
LOSB2826	Rear Shock Body (2): 10-T	Dämpfergehäuse hinten: 10-T	10-T - Corps d'amortisseurs arrière (2)	Set corpo ammortizzatore post. (2): 10-T
LOSB2845	Fr/R Shock Shaft Set (4): 10-T	Stoßdämpferkolbenstange v/h (4): 10-T	10-T - Set de Tiges d'amortisseurs avant et arrière (4)	Set stelo ammortizzatore ant./post. (4): 10-T
LOSB2959	Front Racing Spring Set: TEN	Federsatz Racing vorne: TEN	TEN -Set de ressorts avant de compétition	Set molle racing ant.: TEN
LOSB2963	Rear Racing Spring Set: TEN	Federsatz Racing hinten: TEN	TEN -Set de ressorts arrière de compétition	Set molle racing post.: TEN
LOSB3575	Front/Rear HD Lightened Outdrive Set (2): TEN	Antriebsklauenst v/h HD extra leicht: (2): TEN	TEN -Noix de cardans av/arr renforcées allégées (2)	Set trascinatori ant./post. HD (2): TEN
LOSB3576	Center HD Lightened Outdrives (2): TEN	Antriebsklauenst mitte HD extra leicht: (2): TEN	TEN -Noix de cardans centrales renforcées allégées (2)	Set trascinatori centrali HD (2): TEN
LOSB4003	Front/Rear Steering Turnbuckle Set (6): 10-T (Requires LOSB4023)	Gewindestifte Lenkung (6): 10T (erfordert LOSB4023)	10-T - Bielles de direction avant et arrière (6) (nécessite LOSB4023)	Set tiranti filettati ant./post.(6): 10-T (necessita LOSB4023)
LOSB4023	Rod End Set: 10-T (Requires LOSB4003)	Losi Kugelpfannen Set (erfordert LOSB4003): 10-T	10-T - Set de Chapes (20) (nécessite LOSB4003)	Set tiranti: 10-T (necessita LOSB4003)
LOSB4112	Adjustable Front Hinge Pin Holder Set: TEN	Losi Querlenkerhalterst vorne einstellbar, Aluminium: TEN	TEN - Support d'axes de suspension avant réglable	Set piastri regolabili anteriori: TEN
LOSB4113	Adjustable Rear Hinge Pin Holder Set: TEN	Losi Querlenkerhalterst hinten einstellbar, Aluminium: TEN	TEN - Support d'axes de suspension arrière réglable	Set piastri regolabili posteriori: TEN
LOSB7013	320S Force Wheel, Chrome (2)	Losi 320S Force Wheel/ Chrome (2)	Jante 320S Force Chrome (2)	320S cerchione force, cromo (2)
SPMS601H	Extra High Torque Servo	Extra High Torque Servo	Servo couple très élevé	Servocomando extra high torque
TLR233020	Front Spring Set, Hard (3 pair): 22T/SCT, SCTE	TLR Stoßdämpferfedernst vorne, hart (3 paar): 22 T/SCT, SCTE	22T/SCT, SCTE - Ressorts d'amortisseurs avant, durs (3 paires)	Set molle anteriori, dure (3 paia): 22T/SCT, SCTE
TLR234001	Carbon Front Tower: SCTE 2.0 (Requires LOS234009)	TLR SCTE 2.0: Dämpferbrücke vorne Carbon (erfordert LOS234009)	SCTE 2.0 - Support d'amortisseurs avant en carbone (nécessite LOS234009)	Torretta ant. in carbonio: SCTE 2.0 (necessita LOS234009)
TLR234002	Carbon Rear Tower: SCTE 2.0 (Requires LOS234009)	TLR SCTE 2.0 : Dämpferbrücke hinten Carbon (erfordert LOS234009)	SCTE 2.0 - Support d'amortisseurs arrière en carbone (nécessite LOS234009)	Torretta post. in carbonio: SCTE 2.0 (necessita LOS234009)
TLR234039	Hinge Pin Set, TiCN (6): SCTE	TLR Scharnierbolzen Set, TiCN (6): SCTE	SCTE - Set d'axes de suspension Ti-Cn (6)	Set perni braccetti, TiCN (6): SCTE
TLR234040	Front Shock Shaft, TiCN (2): SCTE	TLR Kolbenstange vorne, TiCN (2): SCTE	SCTE - Axes de triangles avant Ti-Cn (2)	Stelo ammortizzatore ant., TiCN (2): SCTE
TLR234041	Rear Shock Shaft, TiCN (2): SCTE	TLR Kolbenstange hinten, TiCN (2): SCTE	SCTE - Axes de triangles arrière Ti-Cn (2)	Stelo ammortizzatore post., TiCN (2): SCTE
TLR334017	Ft Spindle Carrier, 15 Deg, +2mm, Alum: SCTE	TLR SCTE Radträger 15° + 2mm, Alu	SCTE - Étrier porte fusée, 15°, +2mm en aluminium	Portafusello ant., 15°, +2mm, allu.: SCTE
TLR5062	Bleeder Shock Caps, Aluminum (2): TEN	TLR TEN: Stoßdämpferendkappe Aluminium (2)	TEN - Bouchons d'amortisseurs à purgeurs en aluminium (2)	Tappi ammortizzatore con vite di spurgo, allu. (2): TEN
TLR99004	TLR Embroidered Cargo Bag	TLR Tasche	Sac de transport TLR brodé	Borsone TLR
TLR99014	TLR Foam Pit Mat	TLR Schrauberamme Schaum	Tapis de stand en mousse TLR	TLR Foam Pit Mat







**FRONT EXPLODED VIEW  
FRONT EXPLOSIONSZEICHNUNG  
VUE ÉCLATÉE AVANT  
VISTA ESPLOSA DELLA PARTE ANTERIORE**







**WWW.LOSI.COM**

©2016 Horizon Hobby, LLC.

Losi, DSM, DSM2, DSMR, AVC, Active Vehicle Control, EC3, Dynamite, Fuze, Prophet and the Horizon Hobby logo are trademarks or registered trademarks of Horizon Hobby, LLC. The Spektrum trademark is used with permission of Bachmann Industries, Inc. Patents pending.

Updated 09/16

49177.1 LOS03006 T1/T2

