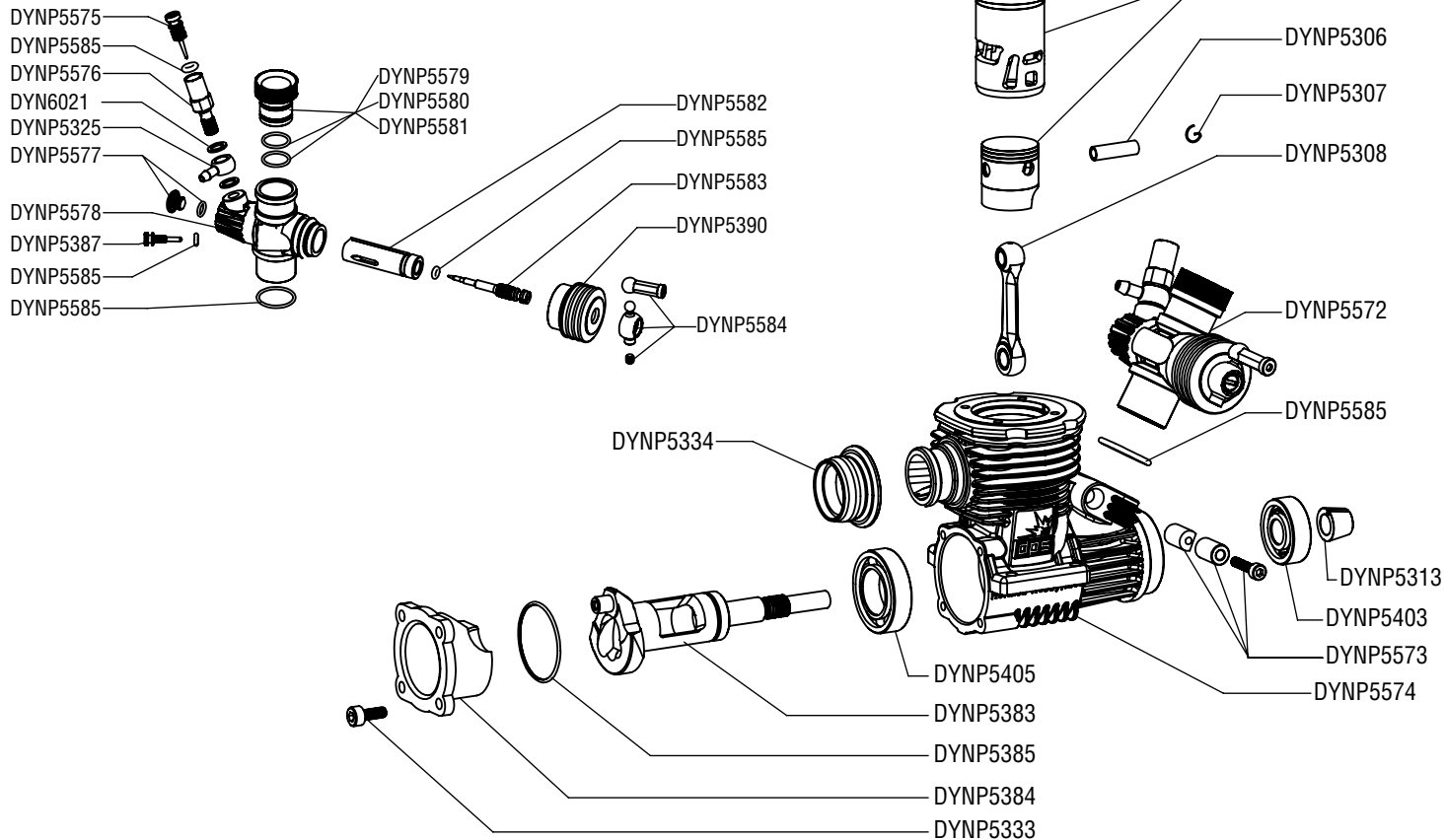


dynamite[®] PLATINUM .21XP v2



Spare Parts Listing

Stock #	Description
DYNP5375	Piston/Sleeve
DYNP5303	Head Shim .1mm (3)
DYNP5304	Head Shim .2mm (3)
DYNP5306	Wrist Pin
DYNP5307	Wrist Pin Clips (2)
DYNP5308	Connecting Rod
DYNP5313	Collet
DYNP5325	Fuel Inlet Nipple
DYNP5332	Head Screws 3X16mm(4)
DYNP5333	Backplate Screws 3X8mm(4)
DYNP5334	Engine Header Seal
DYNP5383	Crankshaft, SG
DYNP5384	Backplate with O-Ring
DYNP5385	Backplate O-Ring
DYNP5387	Idle Screw
DYNP5390	Throttle Barrel Boot
DYNP5403	Front Bearing, Ceramic 7X19X6
DYNP5405	Rear Bearing, Ceramic 14X25.4X6
DYNP5570	Cylinder Head .21XPV2
DYNP5571	Head Button Turbo:.21XPV2
DYNP5572	Carburetor Composite: .21XPV2
DYNP5573	Carburetor Retainer Post: .21XPV2
DYNP5574	Crankcase: .21XPV2
DYNP5575	High-Speed NV with O-Ring: .21XPV2
DYNP5576	High-Speed Needle Holder: .21XPV2
DYNP5577	Fuel Inlet Nipple Post with O-Ring: .21XPV2
DYNP5578	Carburetor Body/Plastic: .21XPV2
DYNP5579	Carburetor Restrictor 6.0mm/Black: .21XPV2
DYNP5580	Carburetor Restrictor 7.0mm/Black: .21XPV2
DYNP5581	Carburetor Restrictor 8.0mm/Black: .21XPV2
DYNP5582	Carburetor Slide: .21XPV2
DYNP5583	Low-Speed Needle Valve with O-Ring: .21XPV2
DYNP5584	Carburetor Ball Link/Ball End:.21XPV2
DYNP5585	Carburetor O-Ring Set:.21XPV2, .24XP
DYN6021	High-Speed Needle Washer

© 2010 Horizon Hobby, Inc.
Dynamite engines are manufactured in Taiwan