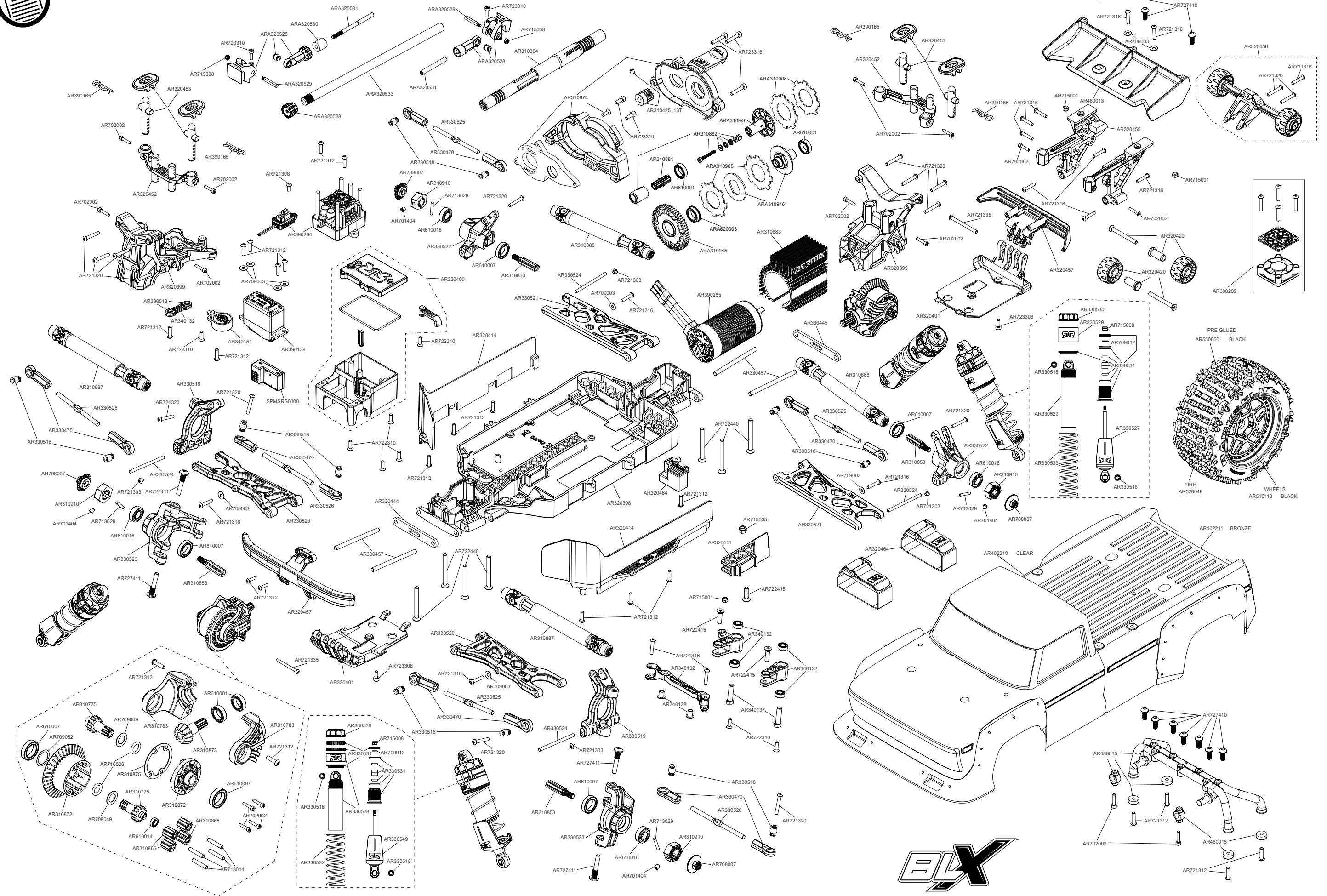
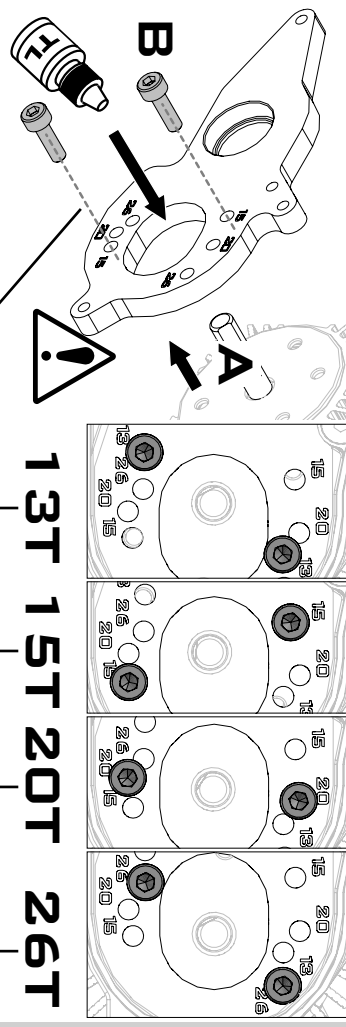


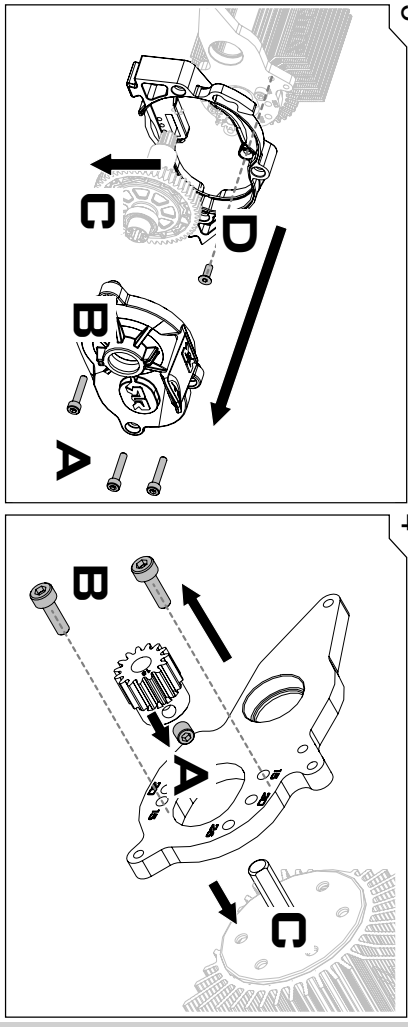


EXPLODED VIEW EXPLOSIONSANSICHT VUE ÉCLATÉE

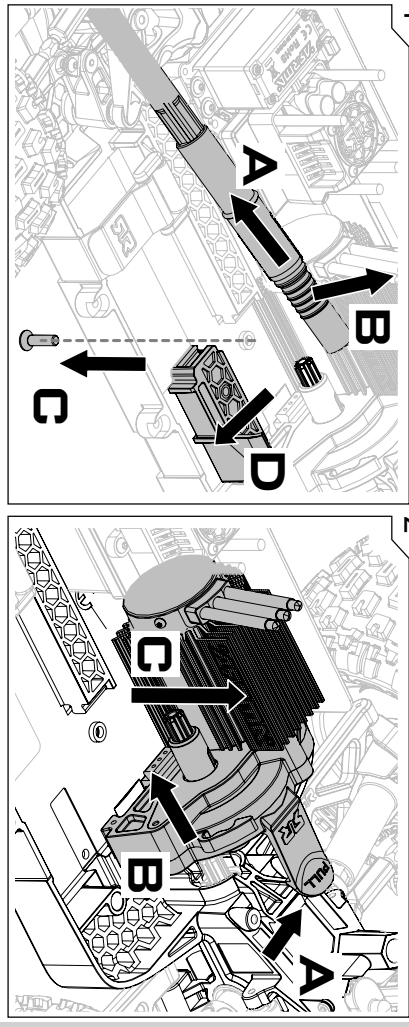




5



3



1

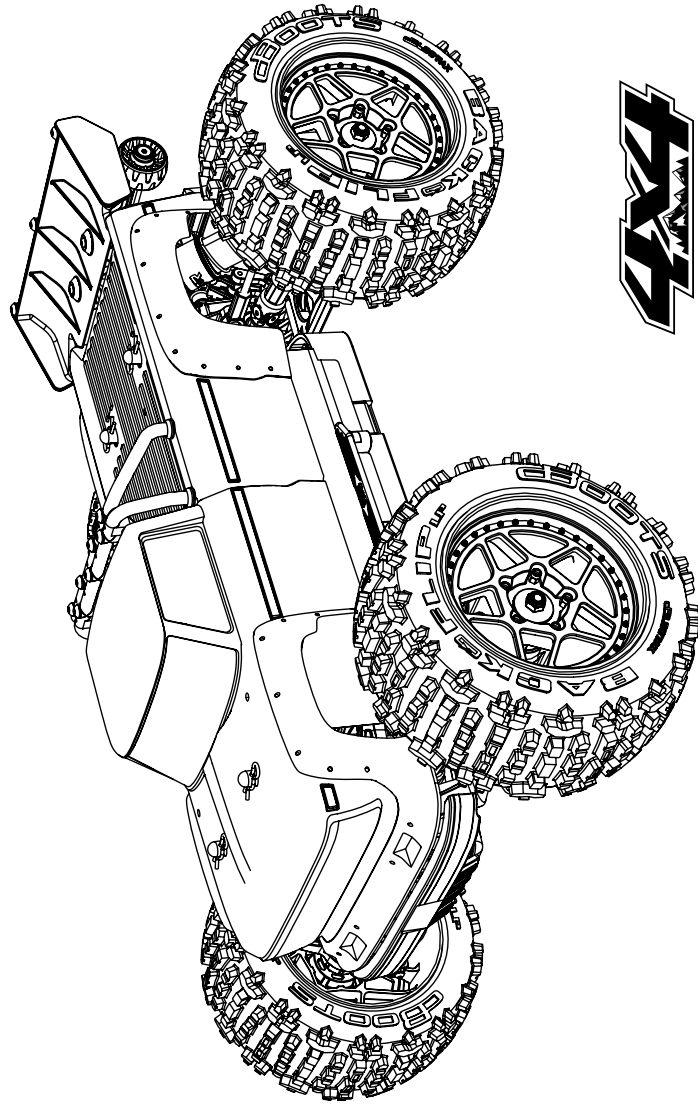
? **How To... WIE... COMMENT...**
 Change the Pinion / Motor: Wechselt man das Motorzeitzeiden Motor: Changez le Pignon / Moteur.



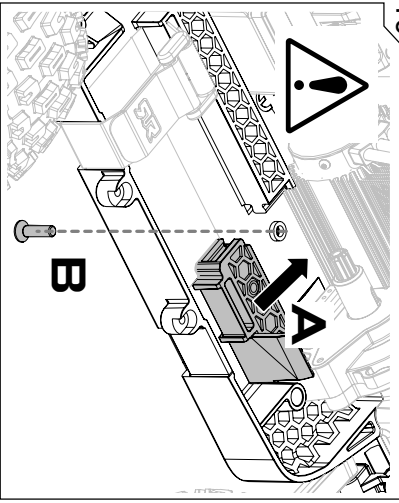
1

ARRMA[®] OUTCAST[™] 4S[™] BLX

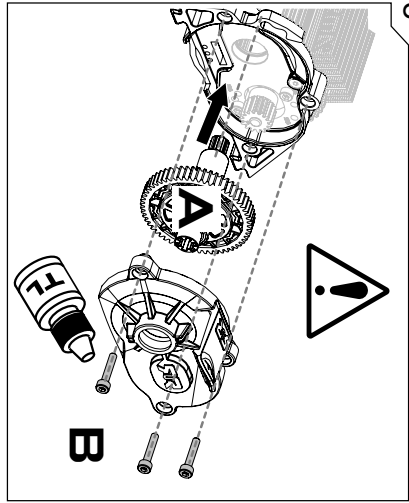
TECHNICAL PACK!
 TECHNISHES PACK!
 PACK TECHNIQUE!



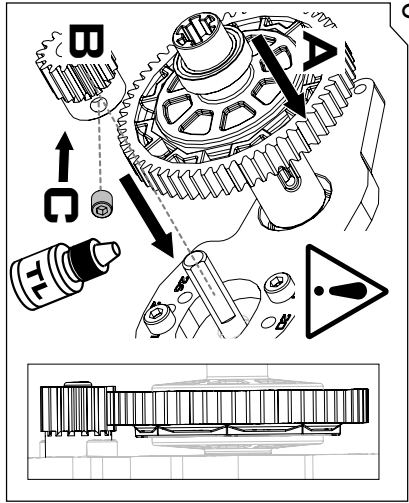
ARB20759 ©2019 Horizon Hobby, LLC. ARRMA RC is a trade name of Horizon Hobby Ltd. Horizon Hobby Ltd is a subsidiary of Horizon Hobby, LLC. ARRMA, the ARRMA logo, 4S, BLX and OUTCAST are trademarks or registered trademarks of Horizon Hobby, LLC. All other trademarks, service marks and logos are property of their respective owners.



10

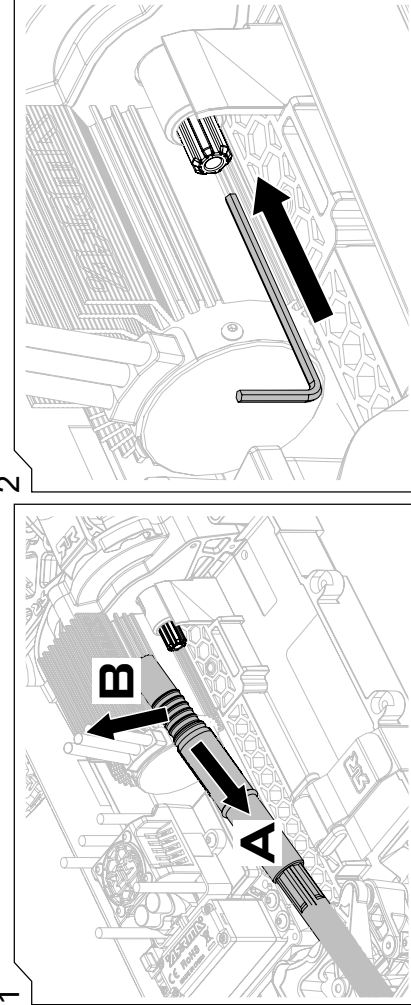


8

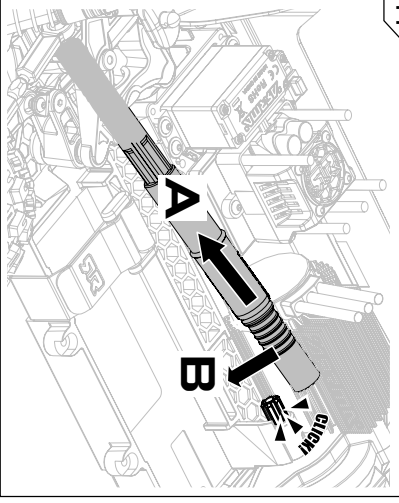


6

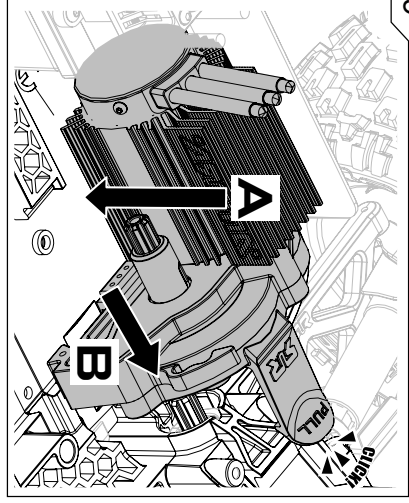
? **How To... WIE... COMMENT...**
 Set the Slipper Clutch. Stellt man die Rutschkupplung ein. Réglez de l'embrayage à glissement limité (Slipper)



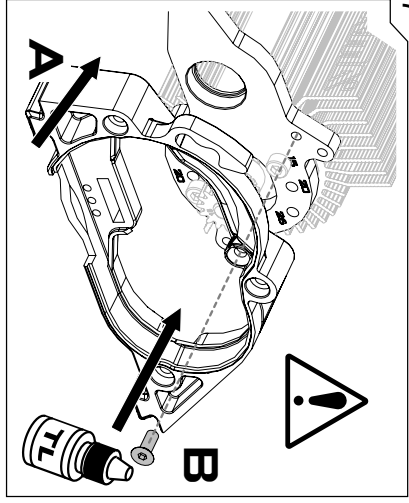
2



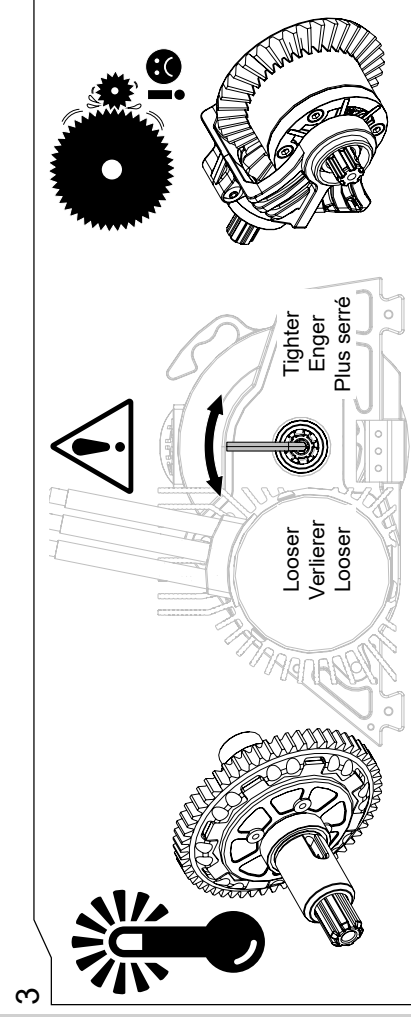
11



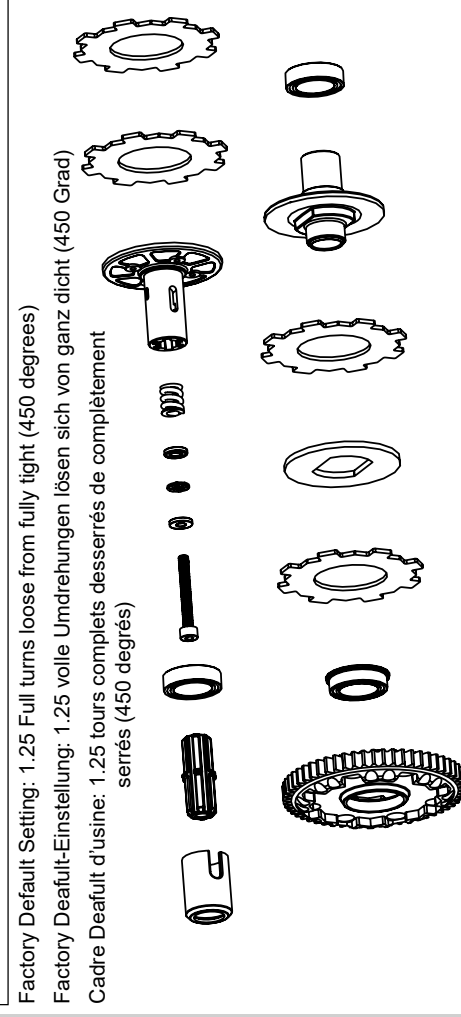
9



7



3



Factory Default Setting: 1.25 Full turns loose from fully tight (450 degrees)
 Factory Default-Einstellung: 1.25 volle Umdrehungen lösen sich von ganz dicht (450 Grad)
 Cadre Default d'usine: 1.25 tours complets desserrés de complètement serrés (450 degrés)