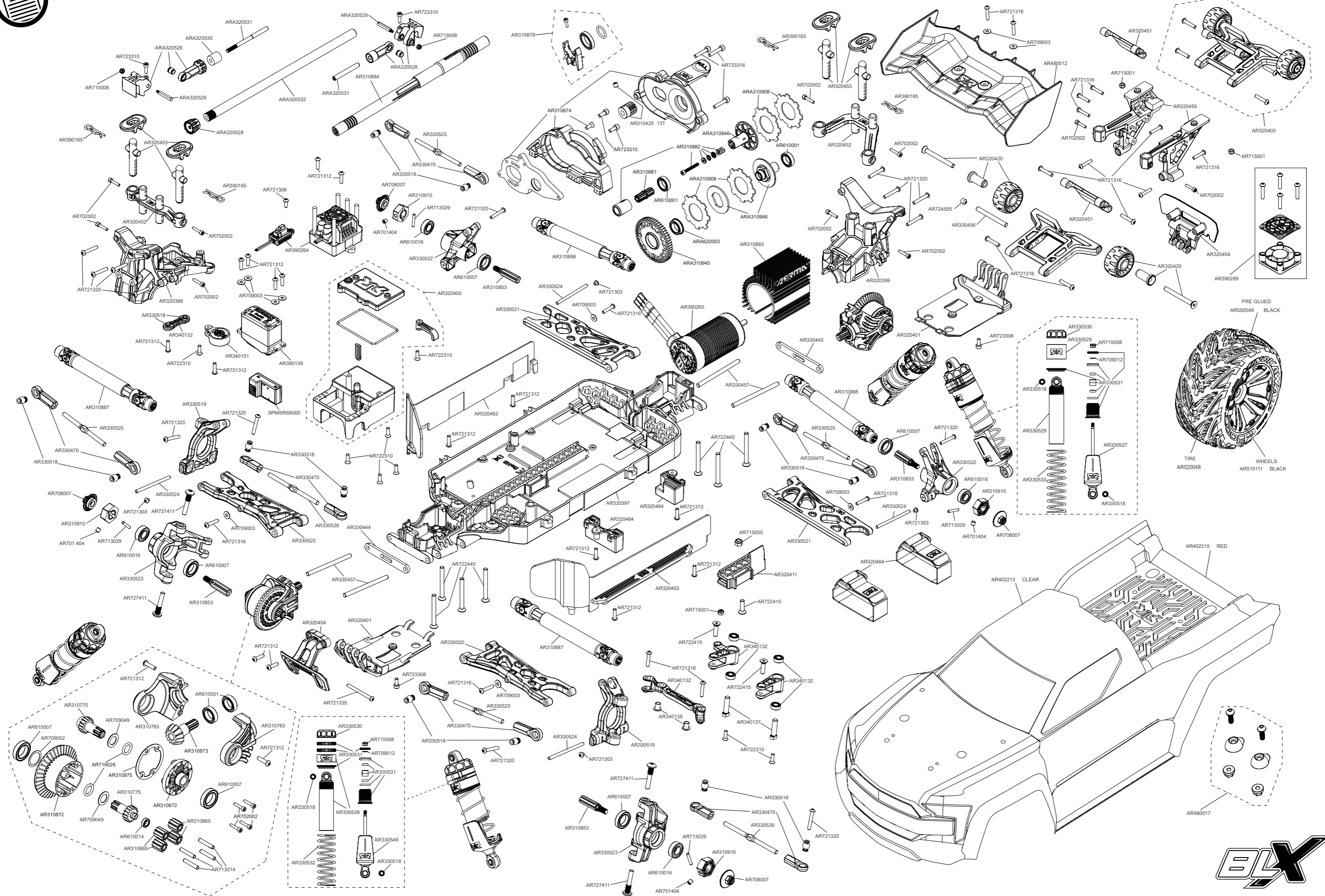
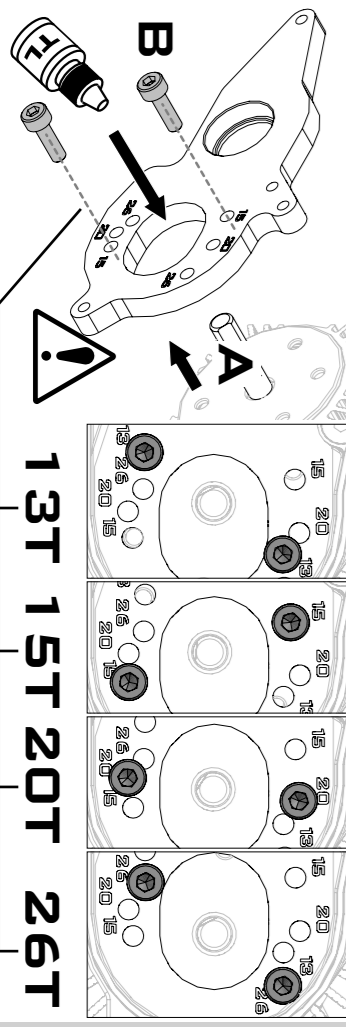




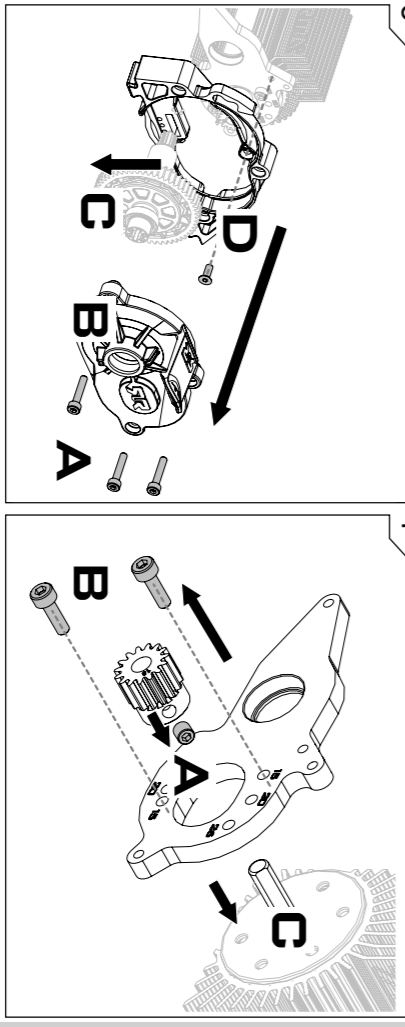
**EXPLODED VIEW EXPLOSIONSANSICHT VUE ÉCLATÉE**



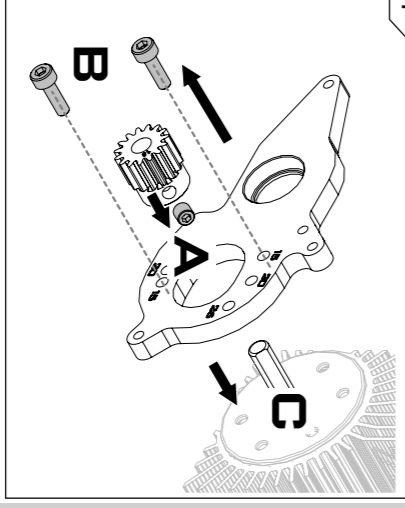


13T 15T 20T 26T

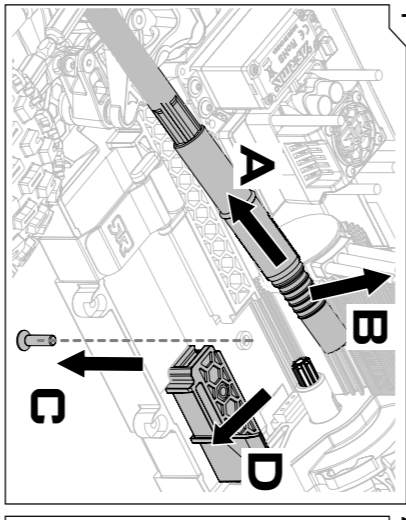
5



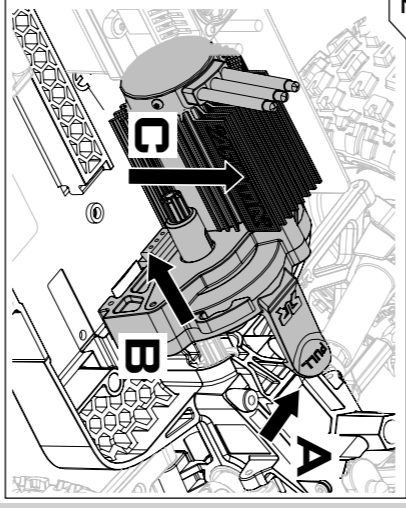
3



4



1

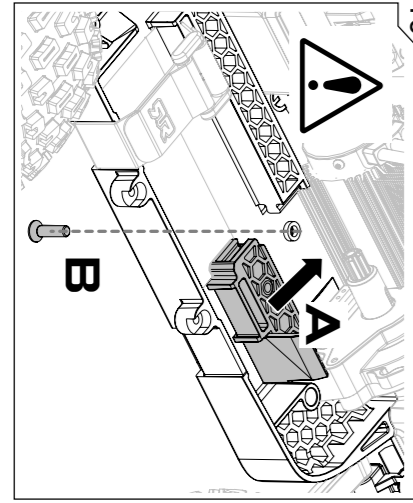
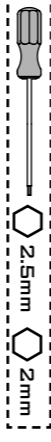


2

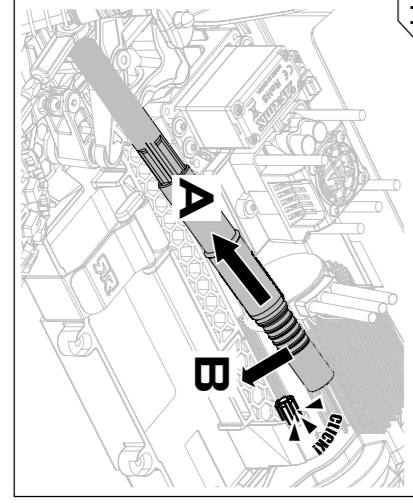


HOW TO... WIE... COMMENT...

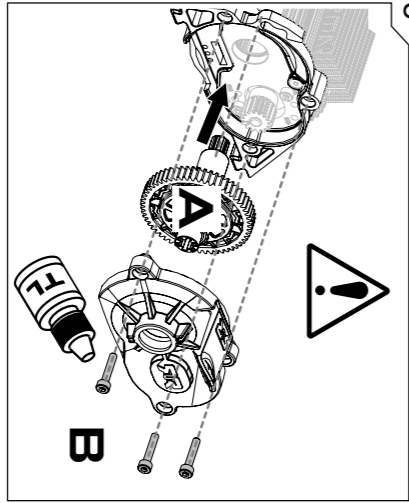
Change the Pinion / Motor: Wechselt man das Motorzeiliden Motor: Changez le Pignon / Moteur.



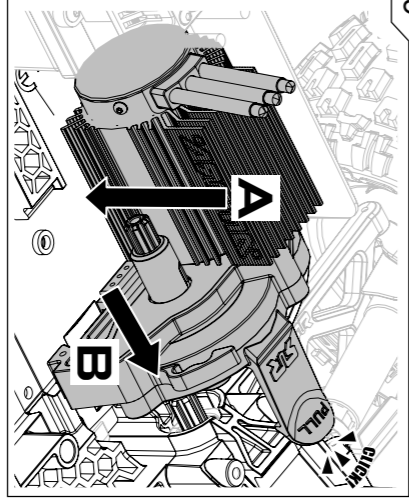
10



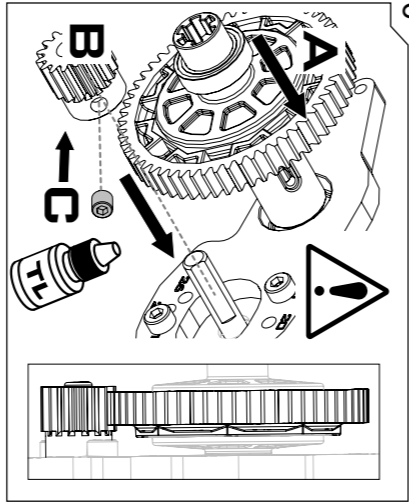
11



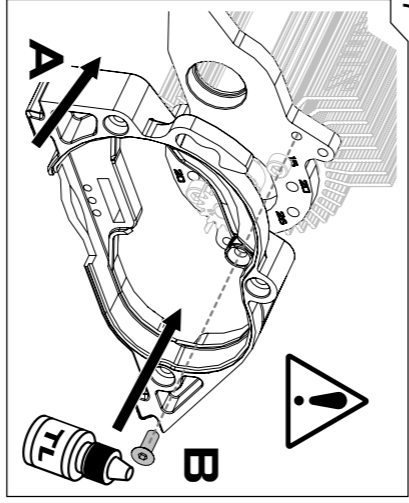
8



9



6

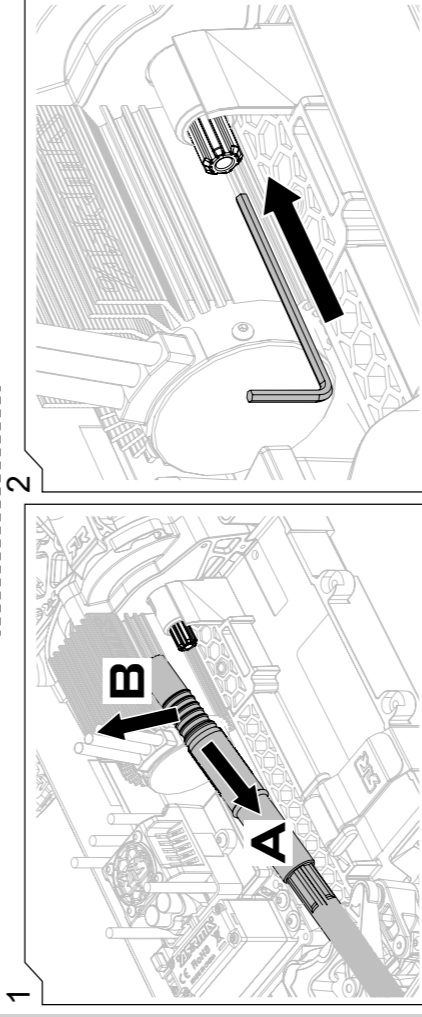


7

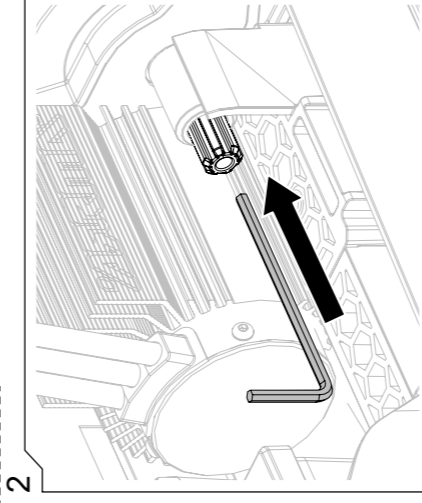


HOW TO... WIE... COMMENT...

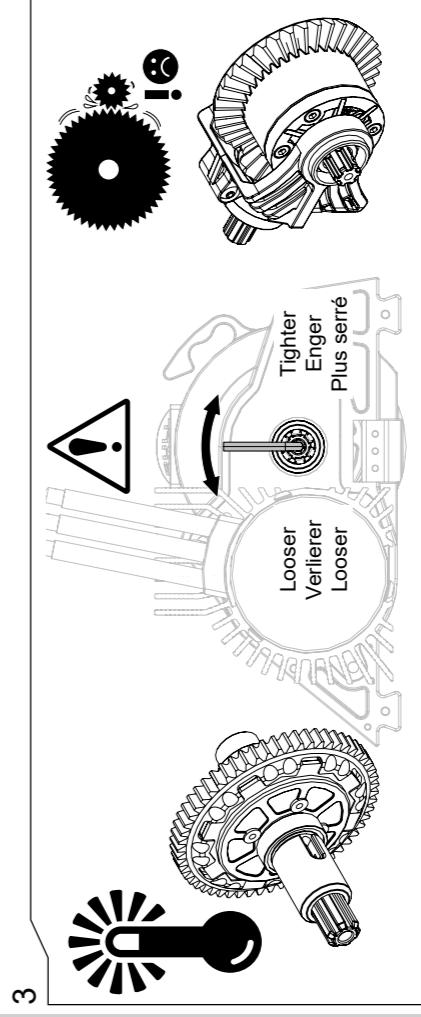
Set the Slipper Clutch. Stellt man die Rutschkupplung ein. Réglez de l'embrayage à glissement limité (Slipper)



1



2

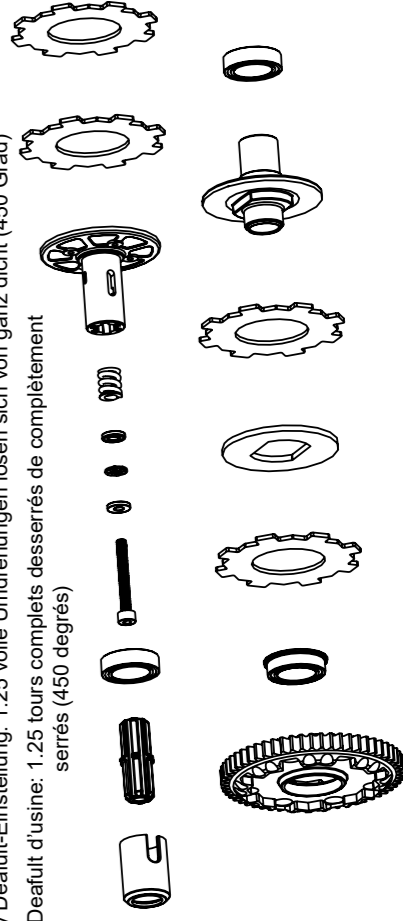


3

Factory Default Setting: 1.25 Full turns loose from fully tight (450 degrees)

Factory Default-Einstellung: 1.25 volle Umdrehungen lösen sich von ganz dicht (450 Grad)

Cadre Default d'usine: 1.25 tours complets desserrés de complètement serrés (450 degrés)

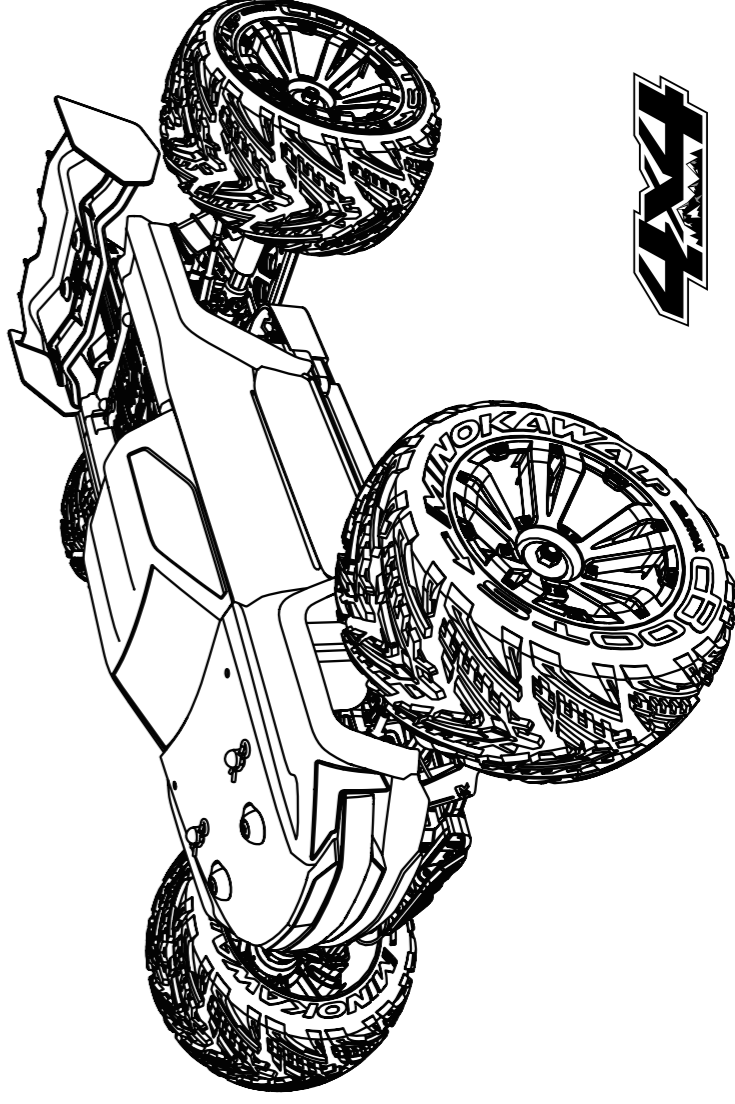


ARRMA<sup>®</sup>

KRATON<sup>™</sup> 4S

BLX

TECHNICAL PACK!  
TECHNISHES PACK!  
PACK TECHNIQUE!



4x4

ARB2075B ©2019 Horizon Hobby, LLC. ARRMA RC is a trade name of Horizon Hobby Ltd. Horizon Hobby Ltd is a subsidiary of Horizon Hobby, LLC. ARRMA, the ARRMA logo, 4S, BLX and KRATON are trademarks or registered trademarks of Horizon Hobby, LLC. All other trademarks, service marks and logos are property of their respective owners.