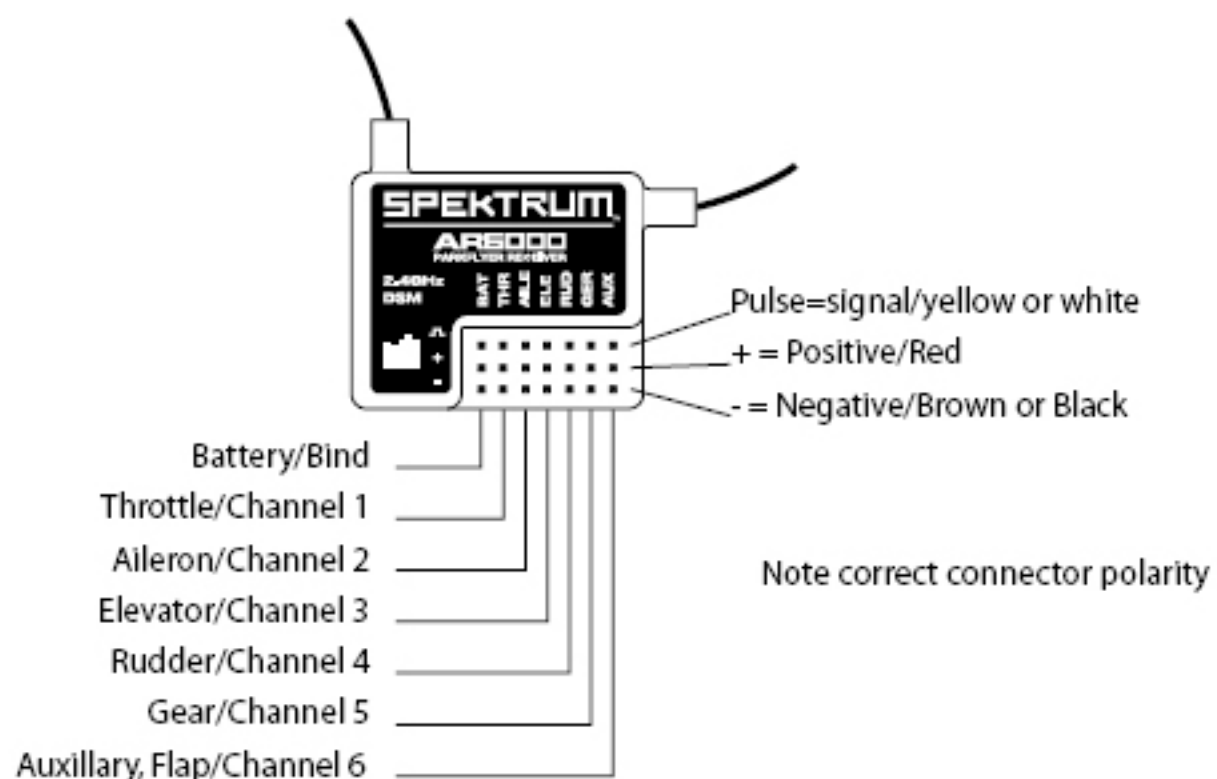


RECEIVER CHANNEL ASSIGNMENT



TRANSMITTER THROTTLE ALT

The Throttle ALT function makes the throttle stick trim active only when the throttle stick is less than half throttle. This gives easy, accurate idle adjustments without affecting the mid to high throttle position.